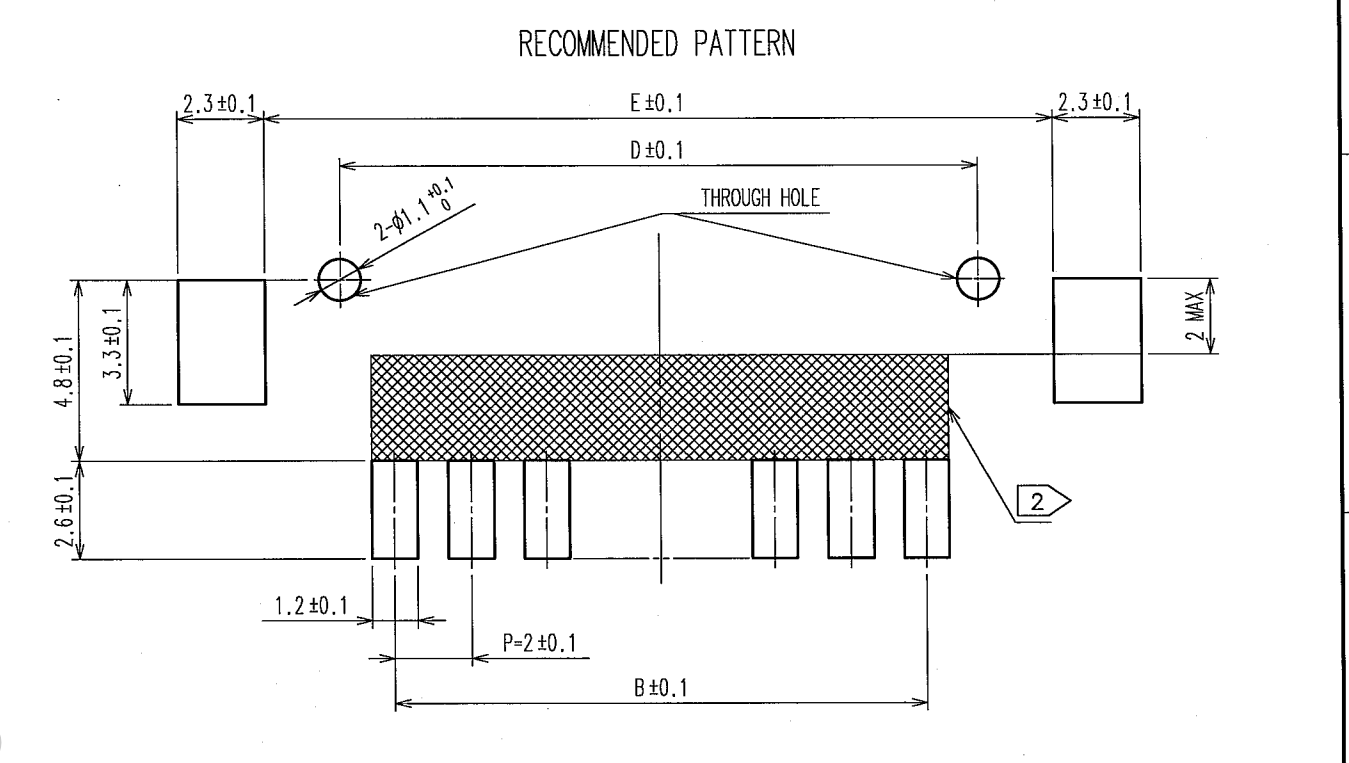
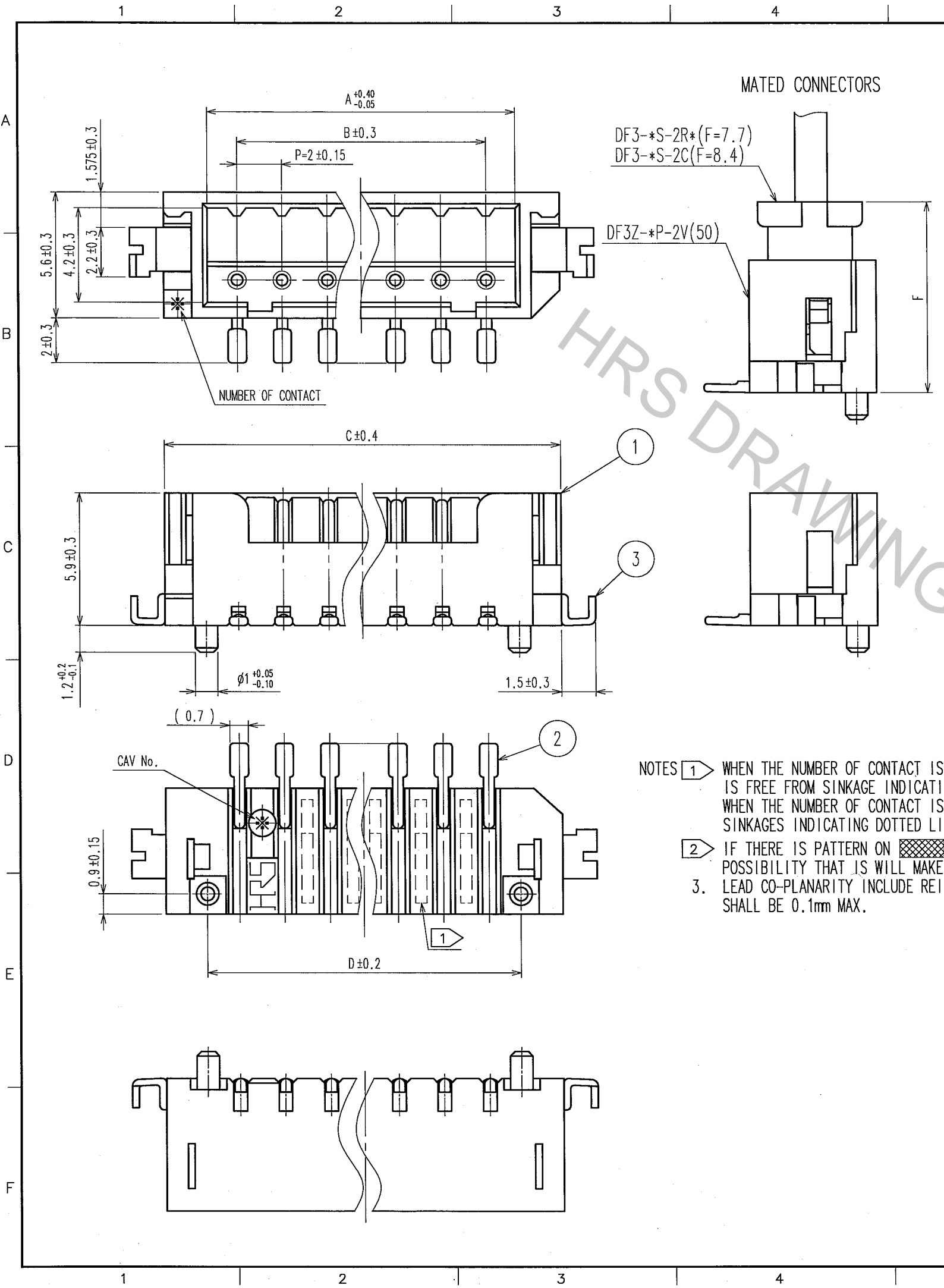


Apr.1.2017 Copyright 2017 HIROSE ELECTRIC CO., LTD. All Rights Reserved.

COUNT	DESCRIPTION OF REVISIONS	BY	CHKD	DATE	COUNT	DESCRIPTION OF REVISIONS	BY	CHKD	DATE
2	RE-H-06617	I.D	T.M	'04.11.27					
1	DIS-H-001524	T.O	T.O	06.11.26					



PART NO.	CODE NO.	A	B	C	D	E
DF3Z- 2P-2V(50)	CL543-1028-4-50	4.6	2.0	8.5	4.8	8.74
DF3Z- 3P-2V(50)	CL543-1029-7-50	6.6	4.0	10.5	6.8	10.74
DF3Z- 4P-2V(50)	CL543-1030-6-50	8.6	6.0	12.5	8.8	12.74
DF3Z- 5P-2V(50)	CL543-1031-9-50	10.6	8.0	14.5	10.8	14.74
DF3Z- 6P-2V(50)	CL543-1032-1-50	12.6	10.0	16.5	12.8	16.74
DF3Z- 7P-2V(50)	CL543-1033-4-50	14.6	12.0	18.5	14.8	18.74
DF3Z- 8P-2V(50)	CL543-1034-7-50	16.6	14.0	20.5	16.8	20.74
DF3Z- 9P-2V(50)	CL543-1035-0-50	18.6	16.0	22.5	18.8	22.74
DF3Z-10P-2V(50)	CL543-1036-2-50	20.6	18.0	24.5	20.8	24.74
DF3Z-11P-2V(50)	CL543-1037-5-50	22.6	20.0	26.5	22.8	26.74
DF3Z-12P-2V(50)	CL543-1038-5-50	24.6	22.0	28.5	24.8	28.74
DF3Z-13P-2V(50)	CL543-1039-0-50	26.6	24.0	30.5	26.8	30.74
DF3Z-14P-2V(50)	CL543-1040-0-50	28.6	26.0	32.5	28.8	32.74
DF3Z-15P-2V(50)	CL543-1041-2-50	30.6	28.0	34.5	30.8	34.74

NOTES

1 WHEN THE NUMBER OF CONTACT IS 2 TO 10, THIS PART IS FREE FROM SINKAGE INDICATING DOTTED LINES. WHEN THE NUMBER OF CONTACT IS 11 TO 15, THERE ARE SINKAGES INDICATING DOTTED LINES.

2 IF THERE IS PATTERN ON PART, THERE IS A POSSIBILITY THAT IS WILL MAKE CONTACT WITH THE LEADS.

3. LEAD CO-PLANARITY INCLUDE REINFORCED METAL FITTINGS SHALL BE 0.1mm MAX.

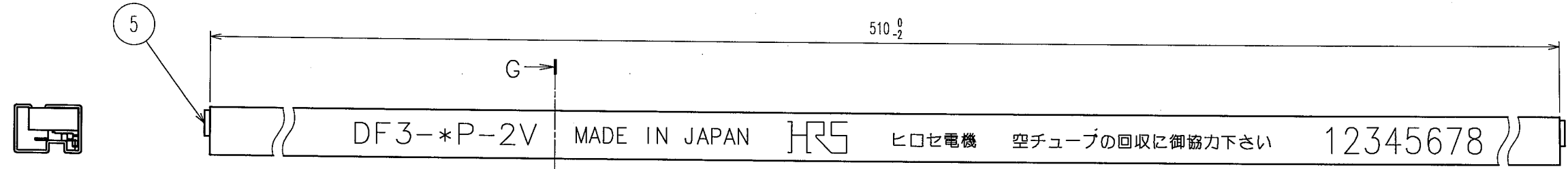
2	BRASS	SURFACE:GOLD PLATED 0.2μ m min UNDER PLATING:NICKEL PLATED 1μ m min	5	S.PVC	GRAY
1	POLYAMIDE	BEIGE, UL94V-0	4	RIGID POLYVINYLCHLORIDE	ELECTROSTATIC PROTECTION, CLEAR
			3	BRASS	SURFACE:TIN PLATED 1μ m min UNDER PLATING:NICKEL PLATED 1μ m min

CODE NO. (OLD)	CL	DRAWN	DESIGNED	CHECKED	APPROVED	RELEASED
		M.Nakamoto	H.Umehara	T.Miyazaki	T.Oma	
		'04.03.25	'04.03.25	'04.03.25	'04.03.25	

DRAWING NO.	PART NO.
EDC3-305939-12	DF3Z-*P-2V(50)
SCALE 5 : 1	CODE NO.
UNITS mm	CL543-

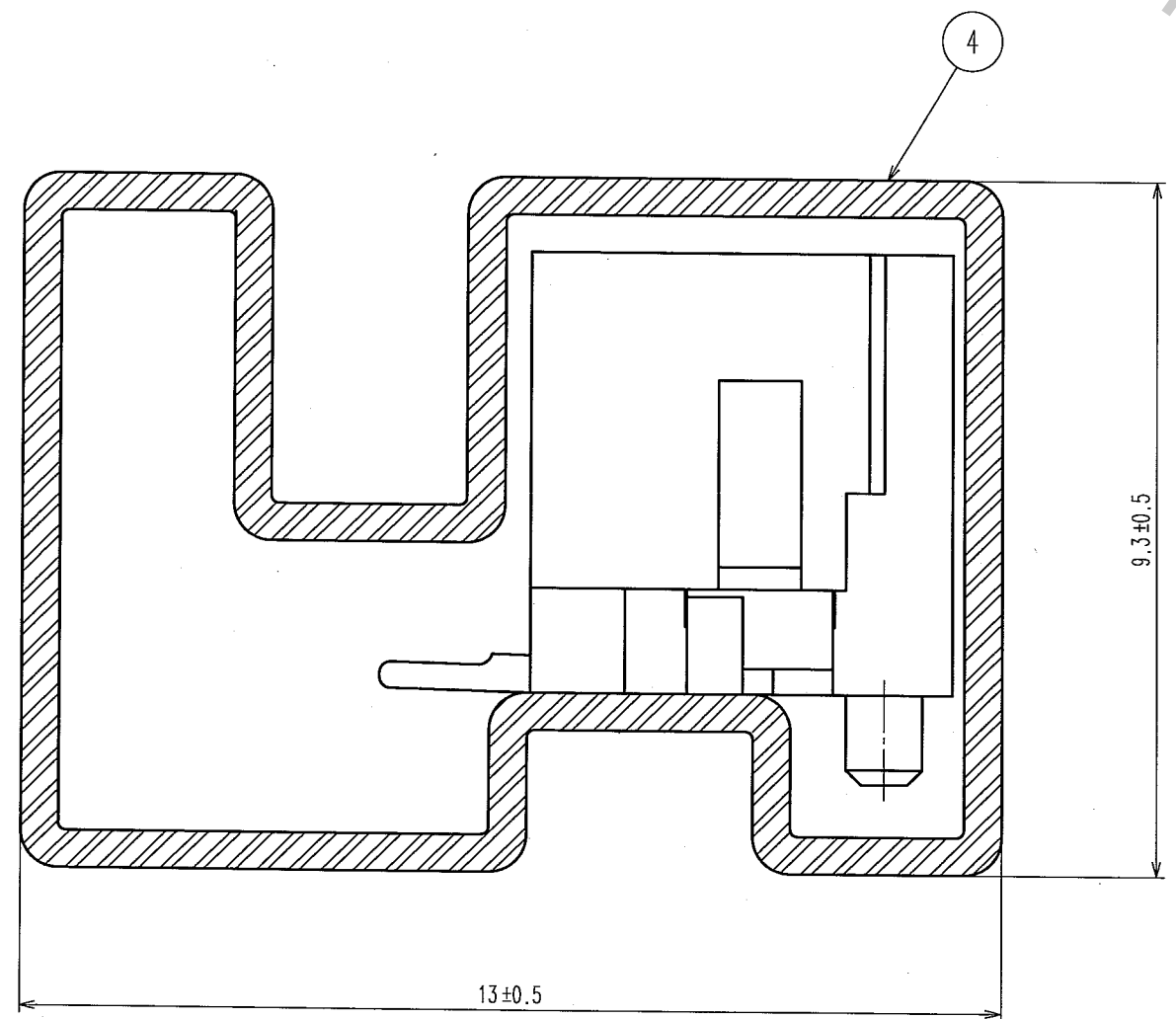
Apr.1.2017 Copyright 2017 HIROSE ELECTRIC CO., LTD. All Rights Reserved.

COUNT	DESCRIPTION OF REVISIONS	BY	CHKD	DATE	COUNT	DESCRIPTION OF REVISIONS	BY	CHKD	DATE
△					△				
△					△				
△					△				



NOTES
 4. NUMBER OF CONNECTERS PER A MAGAZINE CASE SHALL BE IN ACCORDANCE WITH THE LIST.
 5. THESE CONNECTERS SHALL BE ON SALED IN ACCORDANCE WITH THE MULTIPLE QUANTITY ON THE LIST.

G-G (10:1)



CODE NO.	PART NO.	NUMBER OF CONNECTORS
CL543-1028-4-50	DF3Z- 2P-2V(50)	41
CL543-0129-7-50	DF3Z- 3P-2V(50)	34
CL543-1030-6-50	DF3Z- 4P-2V(50)	30
CL543-1031-9-50	DF3Z- 5P-2V(50)	26
CL543-1032-1-50	DF3Z- 6P-2V(50)	23
CL543-1033-4-50	DF3Z- 7P-2V(50)	21
CL543-1034-7-50	DF3Z- 8P-2V(50)	19
CL543-1035-0-50	DF3Z- 9P-2V(50)	18
CL543-1036-2-50	DF3Z-10P-2V(50)	17
CL543-1037-5-50	DF3Z-11P-2V(50)	15
CL543-1038-5-50	DF3Z-12P-2V(50)	14
CL543-1039-0-50	DF3Z-13P-2V(50)	14
CL543-1040-0-50	DF3Z-14P-2V(50)	13
CL543-1041-2-50	DF3Z-15P-2V(50)	12

NO.	MATERIAL	FINISH, REMARKS	NO.	MATERIAL	FINISH, REMARKS
CODE NO. (OLD) CL			DRAWN	DESIGNED	CHECKED
			M.Nakamoto	H.Umehara	T.Miyazaki
			'04.03.25	'04.03.25	'04.03.25
			APPROVED	RELEASED	
			T.Oma		
			'04.03.25		
SCALE FR:EE	DRAWING NO. EDC3-305939-12		PART NO. DF3Z-*P-2V(50)		
UNITS mm	HRS HIROSE ELECTRIC CO., LTD		CODE NO. CL543-		2

TO