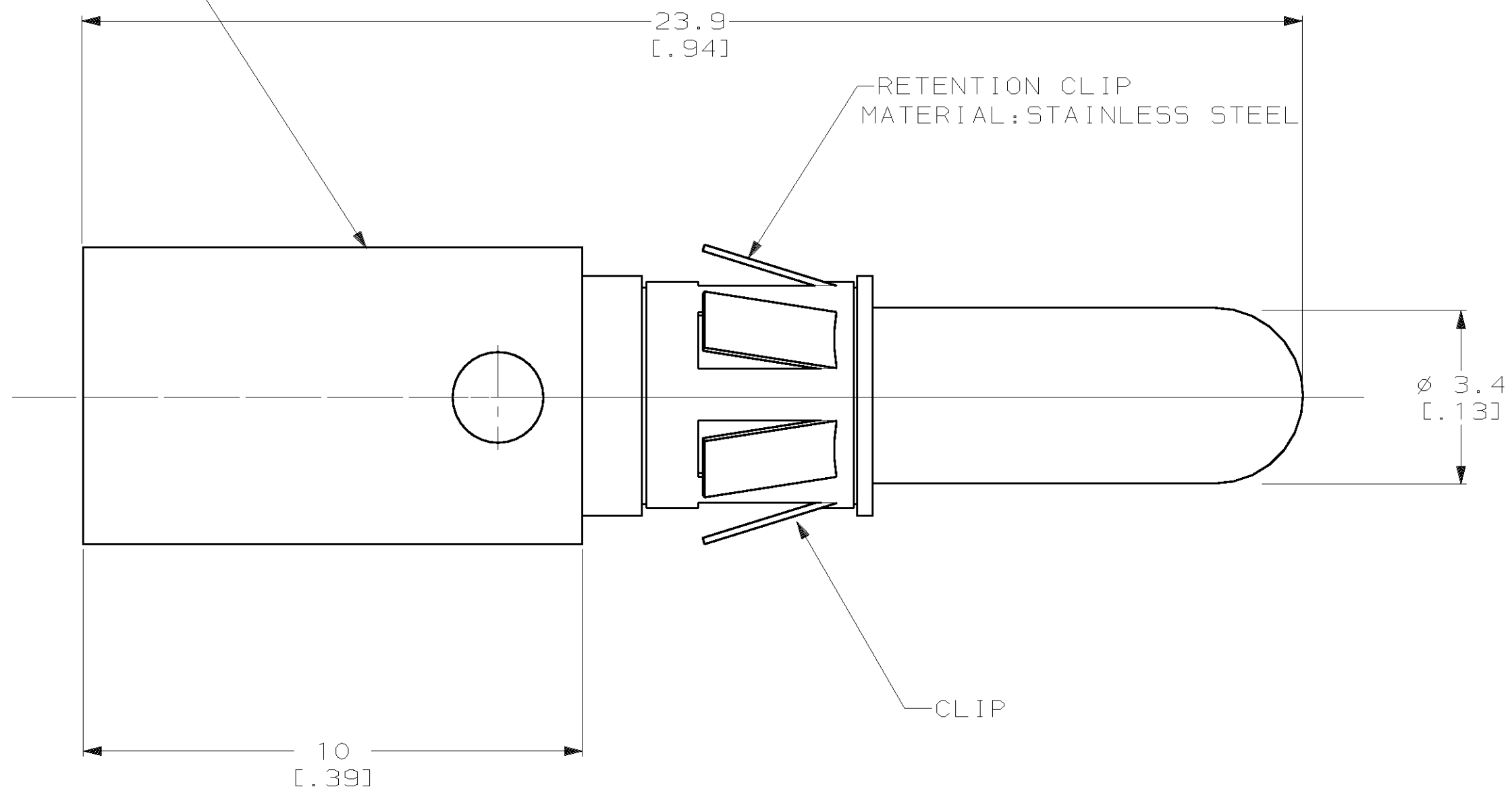
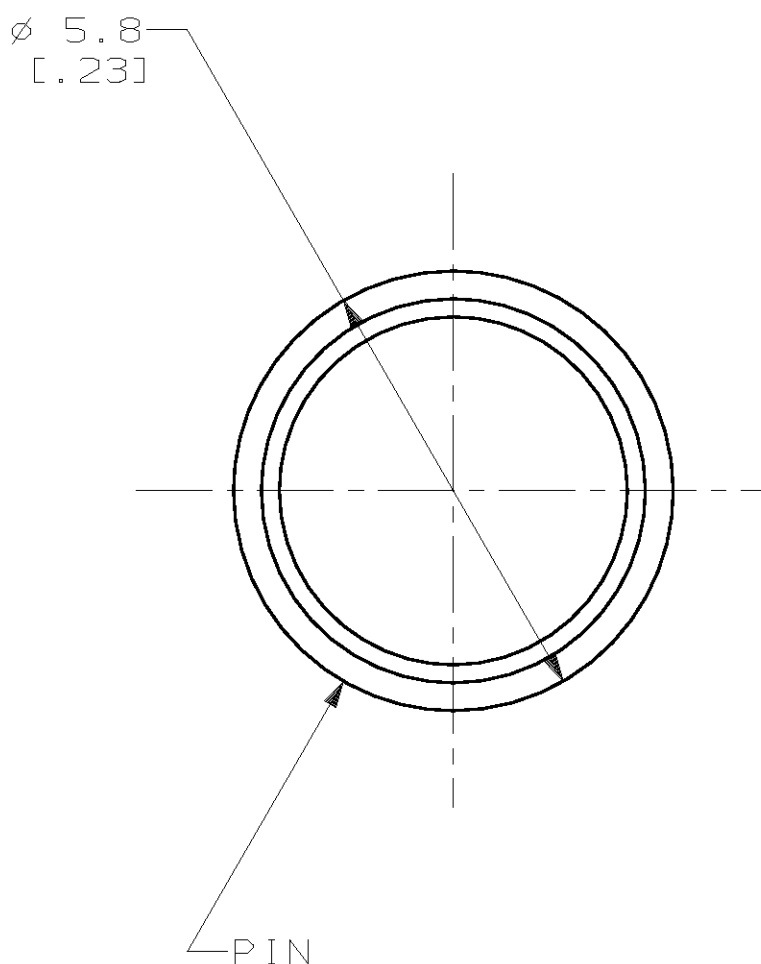


THIS DRAWING IS UNPUBLISHED. RELEASED FOR PUBLICATION, 19 .  
 © COPYRIGHT 19 BY AMP INCORPORATED. ALL INTERNATIONAL RIGHTS RESERVED.

LOC		DIST		P		F		ZONE		LTR		REVISIONS		DATE	APPD
CH	11											B	ECN 95030204	02/MAR/95	P. G.

1. RETROFIT CONTACT FOR METRIMATE AND AMPLIMITE POWER CONTACT.
2. WIRE BARREL WILL ACCEPT #8 AWG WIRE.
3. MATES WITH PN 193458-1.

PIN BODY  
 MATERIAL: COPPER ALLOY  
 FINISH: 0.76µM [.000030] MIN GOLD OVER  
 1.27µM [.000050] MIN NICKEL



193457-1

PART NO

DO NOT SCALE PRINT. UNLESS SPECIFIED DIMENSIONS IN mm [INCHES] TOLERANCES ON : 2 PLC DEC ± - 3 PLC DEC ± - ANGLES ± - MATERIAL -	DR D. WILSON 05-27-92	AMP Incorporated Harrisburg, PA 17105-3608
	CHK S. SIEGRIST 05-27-92	
	APPD A. GRIFFIN 05-27-92	
	APPD P. GLASER 05-27-92	
FINISH -	APPLICATION SPEC -	PRODUCT SPEC -
WEIGHT -	SCALE 10:1	NAME PIN, POWER, #8 AWG

SIZE	CAGE CODE	DRAWING NO
©	00779	©-193457
SHEET	1 OF 1	

WAS 92-9991-004

THIS DRAWING IS A CONTROLLED DOCUMENT FOR AMP INCORPORATED. IT IS SUBJECT TO CHANGE AND THE CONTROLLING ENGINEERING ORGANIZATION SHOULD BE CONTACTED FOR THE LATEST REVISION.

CUSTOMER DRAWING