

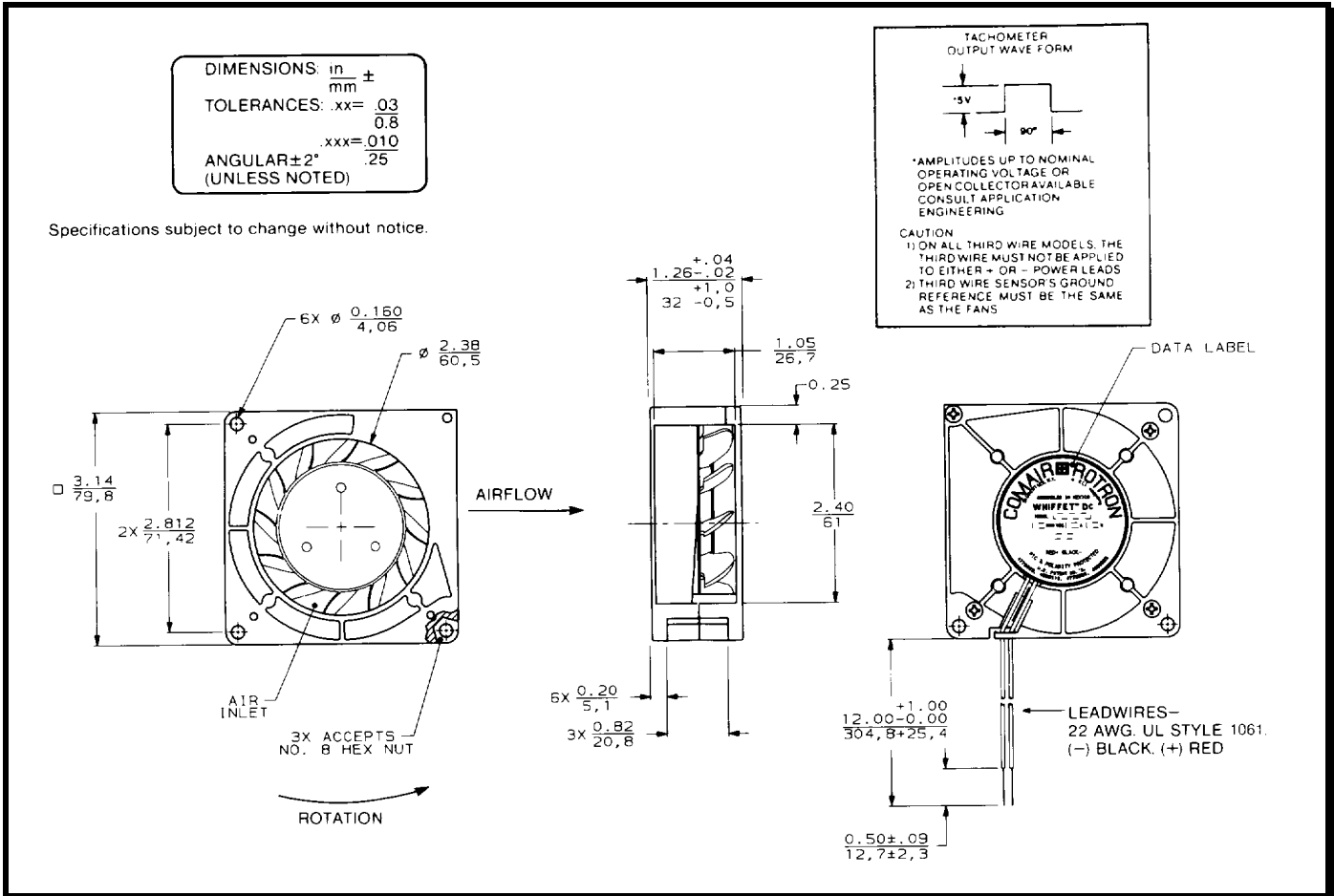
# SPECIFICATIONS



**Model Number:** WT24M3  
**Part Number:** 19031104A

August 8, 2005

## Mechanical Drawing:



### Motor:

Nominal Voltage	= 24 vdc
Operating Voltage Range	= 12 - 28 vdc
Nominal Running Current	= 0.060 amps
Max. Locked Rotor Current	= 0.195 amps
Running Power	= 1.40 watts
Average Speed	= 2500 RPM
Bearings	= Ball
Air Flow	= 8.7 CFM
Acoustic	= 36.0 dBA

### Construction:

Venturi: Plastic, Black, UL 94V-0  
 Propeller: Plastic, Black, UL 94V-0

### Life Expectancy:

This fan is designed for continuous duty life of 80,000 hours at 25°C.

### Additional Features:

Brushless DC Motor  
 Locked Rotor Protection  
 Reverse Polarity Protected  
 Automatic Restart Capability  
 Operating Temperature: -10°C to 70°C  
 Storage Temperature: -40°C to 85°C

### Termination:

12" Lead wires, 22 AWG, UL 1061  
 Red = Fan Power (+)  
 Black = Fan Ground (-)

### Agency Approvals:

UL, cUL, CE