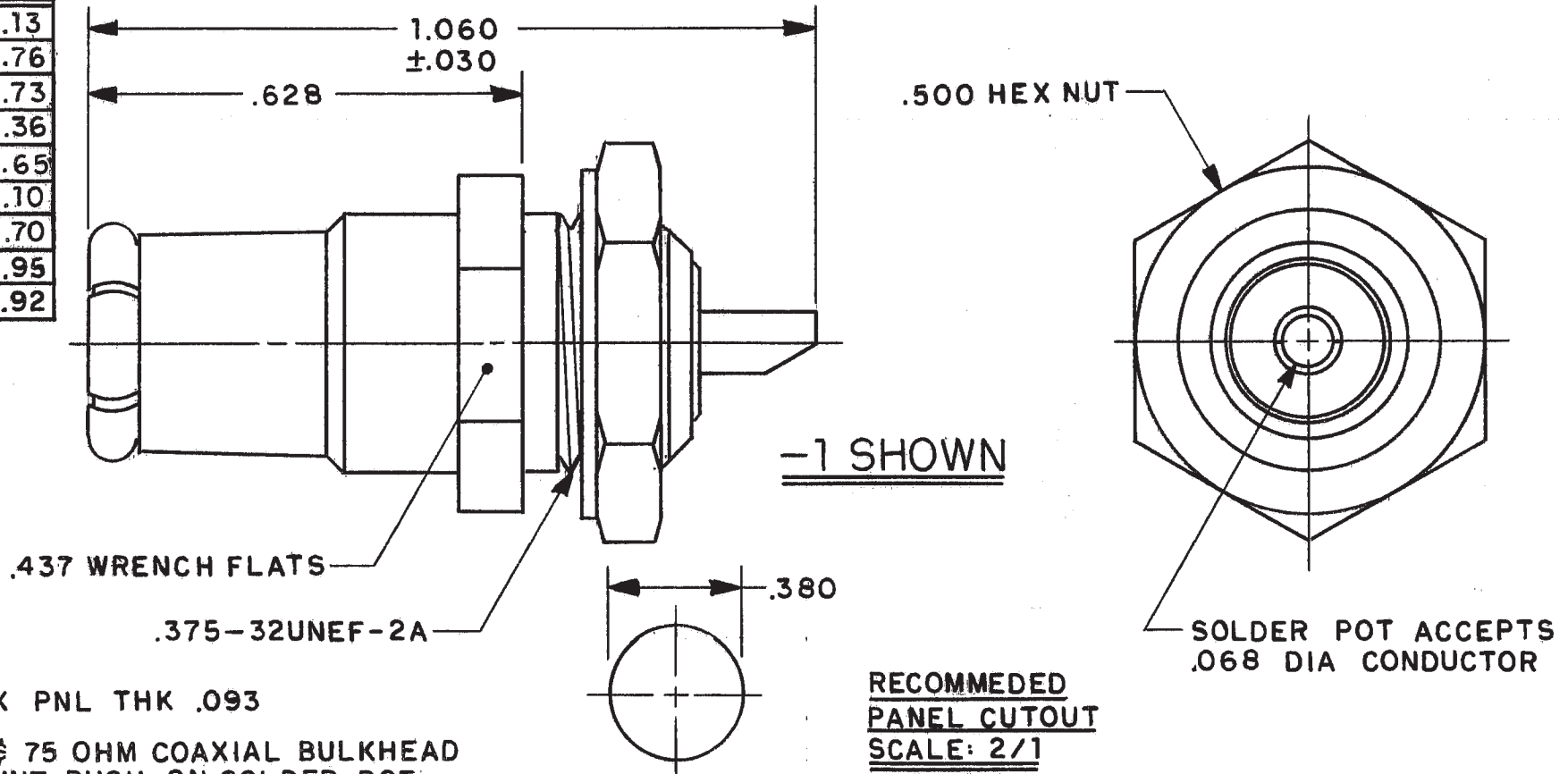


DATA CONTAINED IN THIS DOCUMENT IS PROPRIETARY TO TROMPETER ELECTRONICS INC. AND SHALL NOT BE DISCLOSED, COPIED OR USED FOR PROCUREMENT OR MANUFACTURE WITHOUT EXPRESS WRITTEN PERMISSION.


DASH NO	MODEL NO	IMPD OHMS
-1	PL121	50
-2	UPL121	75

INCH	MM
.005	0.13
.030	0.76
.068	1.73
.093	2.36
.380	9.65
.437	11.10
.500	12.70
.628	15.95
1.060	26.92

REVISIONS			105-0414		SH 1
REV	EO	DESCRIPTION	DWN	APPROVED	DATE
C	6533	REV & REDWN	RJS	<i>DC</i>	9-14-84
D	6747	'D' FLAT DELETED	MRH	<i>MRH</i>	4-25-85
E	7899	ITEM 2 P/N WAS 8000-1295 ①, DWG NO WAS 1005-0414	DKC	<i>F3, BM, JH</i>	1-26-88



4. MAX PNL THK .093
3. 50 & 75 OHM COAXIAL BULKHEAD MOUNT PUSH-ON SOLDER POT PLUG, BNC INTERFACE
2. FINISH: TFS-1A (NICKEL)
1. ALL DIM ARE IN INCHES

QTY	DESCRIPTION	PART NUMBER	ITEM
	TOL UNLESS SPECIFIED .XX ± .XXX ± .005 .XXXX ± ANGLES ±	 PL121/UPL121	
DWN	RJS 9-3-84		
CHK	<i>DC</i> 9-10-84	—	14949
ENGR	<i>VM</i> 9-14-84		
APPR	<i>DKC</i> 9-14-84	SCALE 4/1	DATE 1-15-74
NEXT ASSY		DRAWING NO. 105-0414	
		REV E	
		SHEET 1 OF 2	