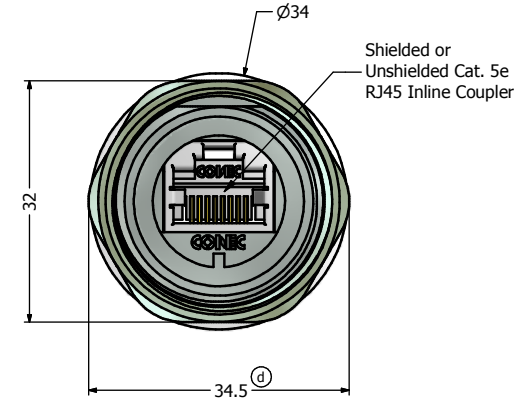
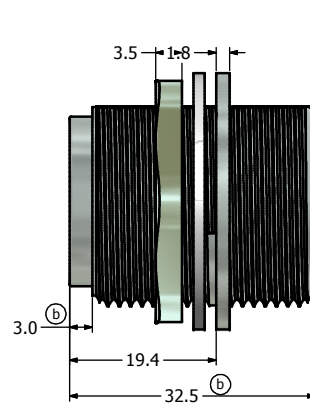
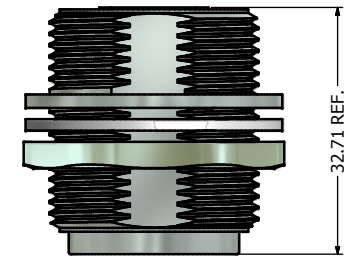


Recommended Panel Cutout Ⓒ



Notes:

1. Electrical Specifications:

- Meets EIA/TIA-568-B.2 Cat.5e Specification
- Contact Resistance: 20mOhm max.
- Insulation Resistance: 500MOhm min. @ 100 VDC
- Current Rating: 1.2A max. at 25°C
- Working Voltage: 100 VDC
- DWV: 1000 VDC/60s Contact to Contact, 1500 VDC/60s Contact to Metal Shell
- Operating Temperature: -40°C to +85°C

2. Material and Finish:

- Ⓔ - Receptacle Housing: Zinc Die-Cast, Nickel Plated
 - Panel Nut: Brass, Nickel Plated
 - Panel Gasket: Silicone, Color: White
 - RJ45 Jack Metal Shell: Copper Alloy, Nickel Plated
 - RJ45 Jack Plastic Housing: Glass filled PBT UL94 V-0, Color: Black
 - RJ45 Jack Contacts: Phosphor Bronze, Finish: 50u" Gold min. over Nickel
3. Connector can be front or rear mounted to a maximum panel thickness of 3.2mm.
4. IP67 rated when fully mated with appropriate mating connector

Ⓒ	Description	Part Number
	Metal Version with Shielded RJ45 Inline Coupler	17-100934
	Metal Version with Unshielded RJ45 Inline Coupler	17-101494

Directive 2002/95/EC RoHS Compliant

THIS DRAWING MAY NOT BE COPIED OR REPRODUCED IN ANY MANNER AND MAY NOT BE PASSED ON TO A THIRD PARTY WITHOUT WRITTEN PERMISSION. OWNERSHIP AND COPYRIGHT OF CONEC CORPORATION. DO NOT ALTER CAD DRAWING BY HAND	Customer:			Tolerance Unless otherwise specified			Scale: 1.5:1	Dim. in mm
	Name	Title	Approval Date	0 PLC ±0.50	1 PLC ±0.38		Autodesk Inventor	Material: See Notes
	e	1	Jan/12/2012	Vincent Ke	2 PLC ±0.25	3 PLC ±0.10	Title: Receptacle Assembly Kit with Cat. 5e RJ45 Inline Coupler Full Metal Version	
	d	2	Mar/08/2011	Vincent ke	ANGLES ±3	D-old	Drawing No.: 17K1A109	DIN A3
c	1	Jun/01/2009	Vincent Ke			Part No.: SEE P/N TABLE	Sheet 1/1	
b	2	Oct/31/2008	Vincent Ke					
a	original							
Rev.	Changes	Date	Name					