

"FCI" Printing

MATERIAL:

Hood: Thermoplastic UL94 HB
 Strain Relief Clamp: Thermoplastic
 Screws: Steel, Blackened

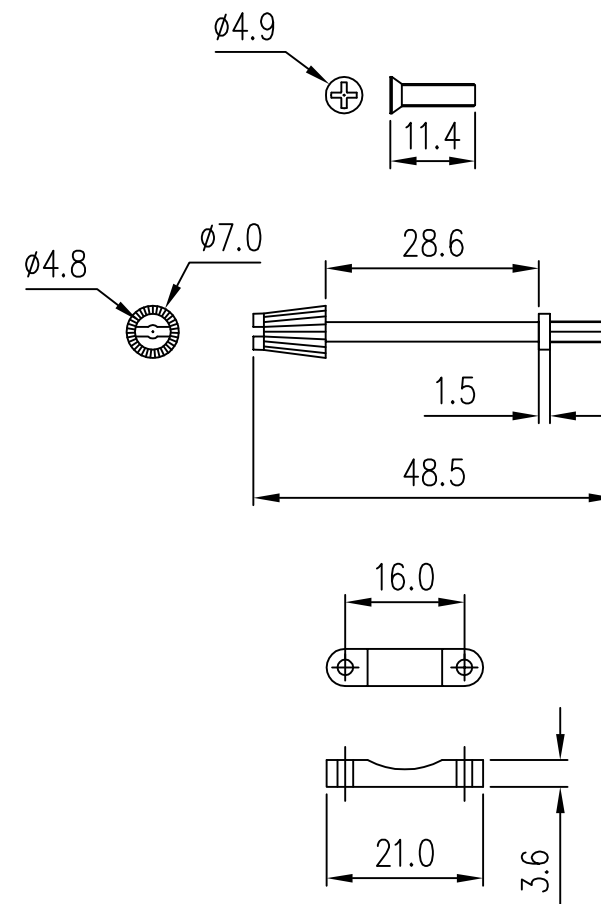
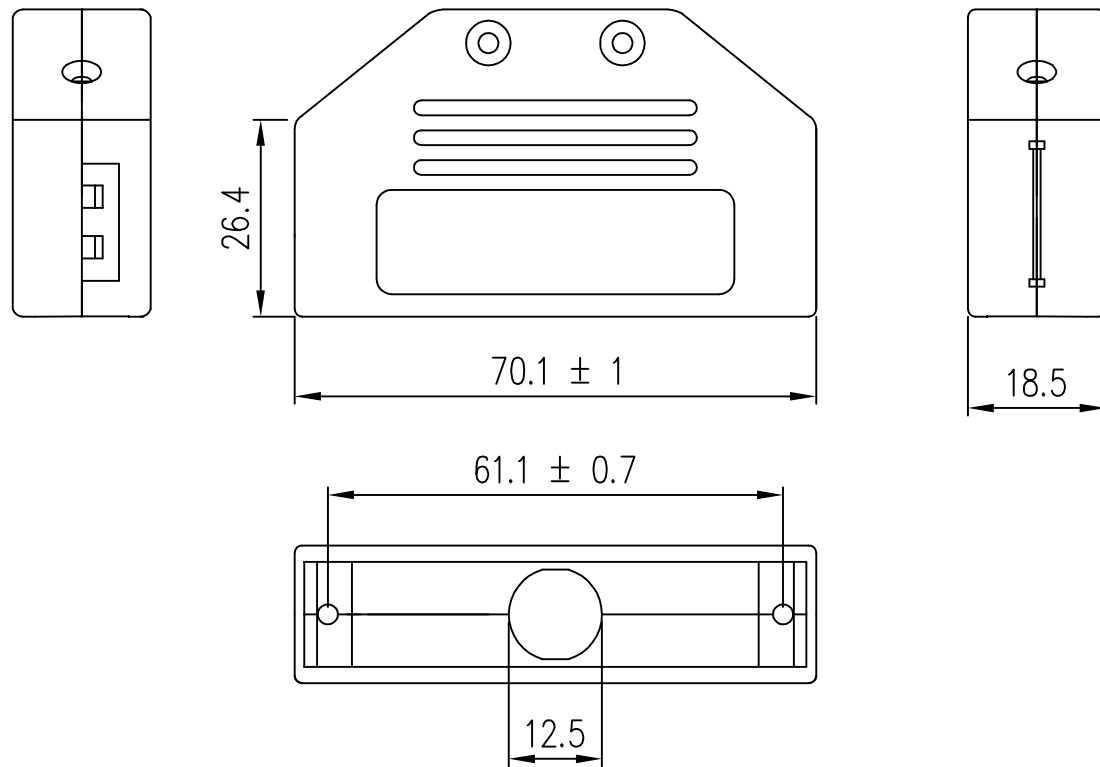
TEMPERATURE RANGE:

Climatic category : -35°/ +85°C

PACKAGING:

Box of 100 individual sets

PART NUMBER	86303641CLF
-------------	-------------



NOTE:RoHS INFORMATIONS

- These products meet European union Directives and other country regulations as described in GS-47-0004
- Packaging spec: see GS-14-920

mat'l. code				surface ISO 1302 ✓		tolerance ISO 406 ISO 101		projection mm		product family D-SUB			
ltr	ecn no	dr	date	tolerances unless otherwise specified		angles linear		scale 1:1		title PLASTIC SNAP TOGETHER HOOD D-SUB ACCESSORIES			
1	-	AB	2015/10/08							dwg no		sheet 1 of 1	size
2		AB	2015/10/14							10136877		A3	
				dr	ALIAS BABU	2015/10/08					type		Product Customer Drawing
				enr	ALIAS BABU	2015/10/08							
				chr	MITHUN PAUL	2015/10/08							
				app	BIJU.K.PAUL	2015/10/08							
sheet index	revision sheet	2	1										



Copyright FCI