

5

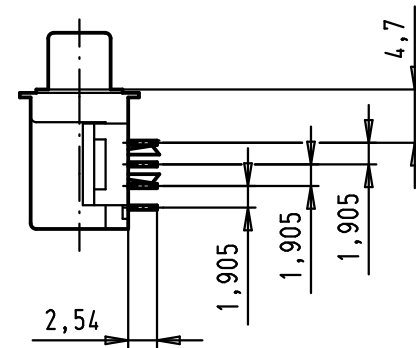
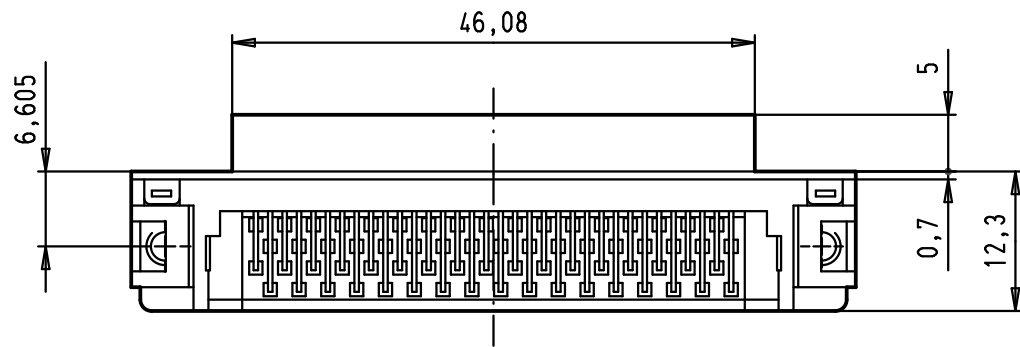
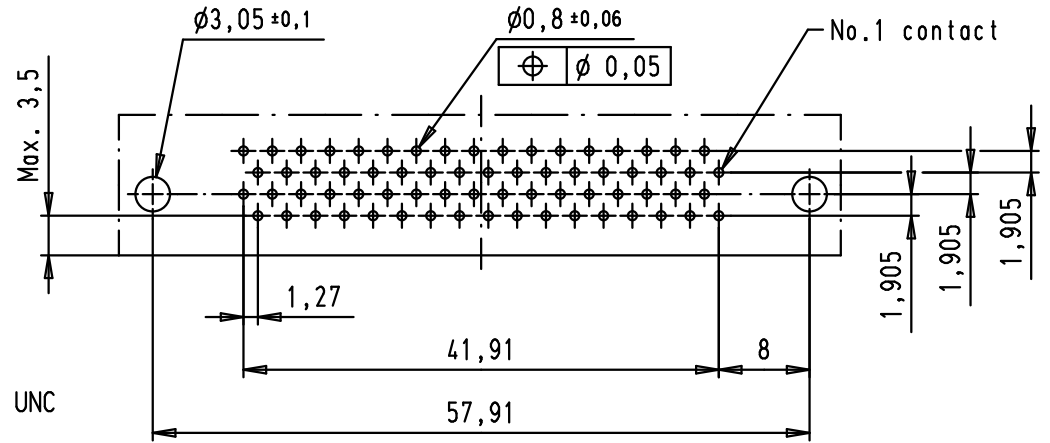
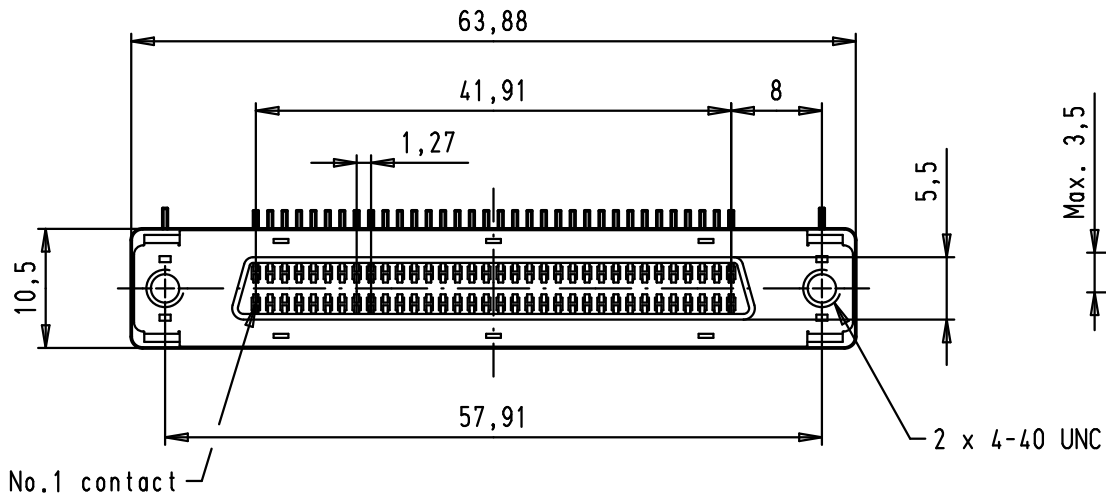
4

3


2

1

Printed board layout, component side



A

| | | | | | | | | | |
|--|-------|----------|------|-------------------------------|----------|---|---|----------------------------|----|
| | | | | Dot. | Name |  All Dim. in mm Orig. Size DIN A 4 | har.mik [®] I/O pin/socket Female, 68 poles with angled solder pins and board locks | Maßstab/ Scale 1,5:1 | |
| | | | | Detail. | 27/06/07 | | | | PK |
| | | | | Insp. | | | | | |
| | | | | Stand. | | | | | |
| | 34397 | 23/08/07 | PK | HARTING EURL F-95972 Paris | | | TB 60 02 068 5151 Sub. | Blatt/ Page 1 / 1 | |
| | 34372 | 27/06/07 | PK | | | | | | |
| | Mod. | Dot. | Name | | | | | | |