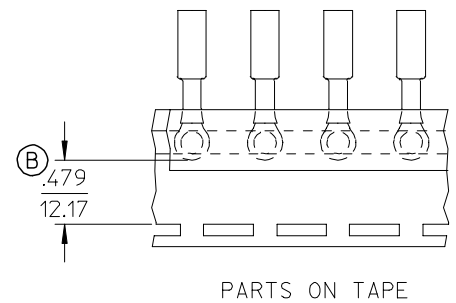
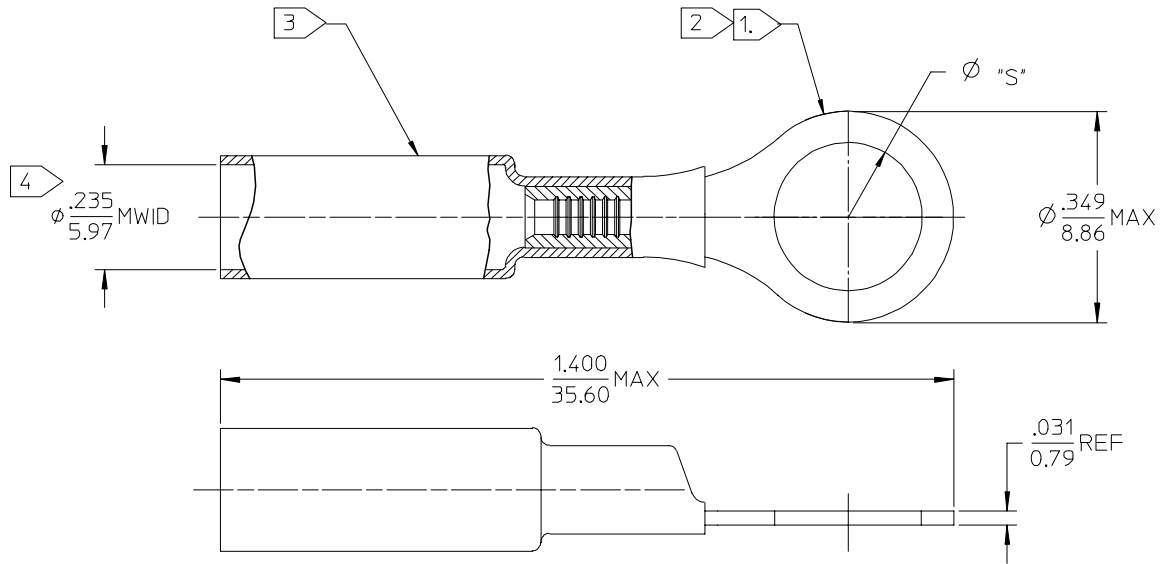


MATERIAL NUMBER	ENGINEERING NUMBER	MATERIAL NUMBER ON TAPE	ENGINEERING NUMBER	STUD SIZE	"S" ±.005/0.03
191640035	SB-239-04	---	---	#4	.119/3.02
191640036	SB-239-06	---	---	#6	.146/3.71
191640037	SB-239-08	---	---	#8	.173/4.39
191640038	SB-239-10	191640313	SB-239-10T	#10	.198/5.03



SALES DRAWING

NOTES:

- 1. MATERIAL: COPPER ALLOY,
- 2. FINISH: ELECTRO TIN PLATE.
- 3. INSULATION MATERIAL: HEAT SHRINKABLE TUBING WITH HOTMELT ADHESIVE INNER LINER. COLOR: BLUE.
- 4. MWID = MAXIMUM WIRE INSULATION DIAMETER.

DIM: .479 WAS_550 EC NO: ETC2005-02/12 DRWN: DMYRICK 2005/06/20 CHKD: RDEROSS 2005/06/21 APPR: RDEROSS 2005/06/21	QUALITY SYMBOLS	GENERAL TOLERANCES (UNLESS SPECIFIED)	SCALE 2:1	DESIGN UNITS INCH	THIRD ANGLE PROJECTION	REVISE ON CAD ONLY															
	DESCRIPTION ▼ = 0 ▽ = 0	<table border="1"> <thead> <tr> <th></th> <th>mm</th> <th>INCH</th> </tr> </thead> <tbody> <tr> <td>4 PLACES</td> <td>±---</td> <td>±---</td> </tr> <tr> <td>3 PLACES</td> <td>±---</td> <td>±---</td> </tr> <tr> <td>2 PLACES</td> <td>±---</td> <td>±---</td> </tr> <tr> <td>1 PLACE</td> <td>±---</td> <td>±---</td> </tr> </tbody> </table>		mm	INCH	4 PLACES	±---	±---	3 PLACES	±---	±---	2 PLACES	±---	±---	1 PLACE	±---	±---	DIMENSION STYLE IN/MM	TITLE		
			mm	INCH																	
		4 PLACES	±---	±---																	
3 PLACES	±---	±---																			
2 PLACES	±---	±---																			
1 PLACE	±---	±---																			
DRAFT WHERE APPLICABLE MUST REMAIN WITHIN DIMENSIONS	DRAWN BY ENDERLE	DATE 2004/06/21	RING TONGUE TERMINAL PERMA-SEAL NIAC 16-14 AWG																		
REV	CHECKED BY BEITZEL	DATE 2004/06/21	MOLEX INCORPORATED																		
	APPROVED BY DEROSS	DATE 2004/06/21	MATERIAL NO. SEE CHART	DOCUMENT NO. SD-19164-067	SHEET NO. 1 OF 1																
THIS DRAWING CONTAINS INFORMATION THAT IS PROPRIETARY TO MOLEX INCORPORATED AND SHOULD NOT BE USED WITHOUT WRITTEN PERMISSION																					