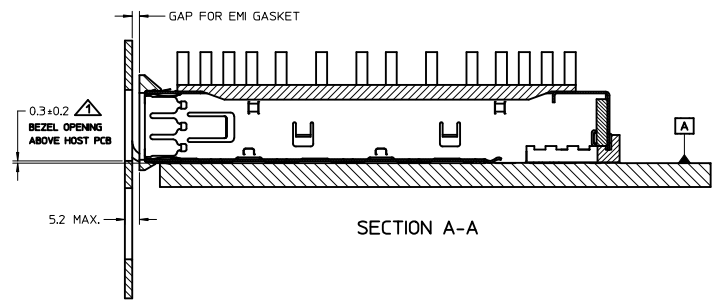
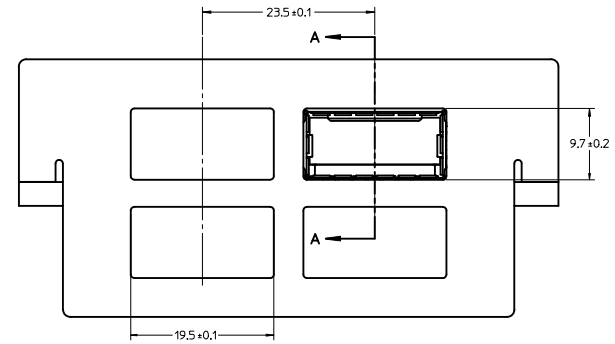
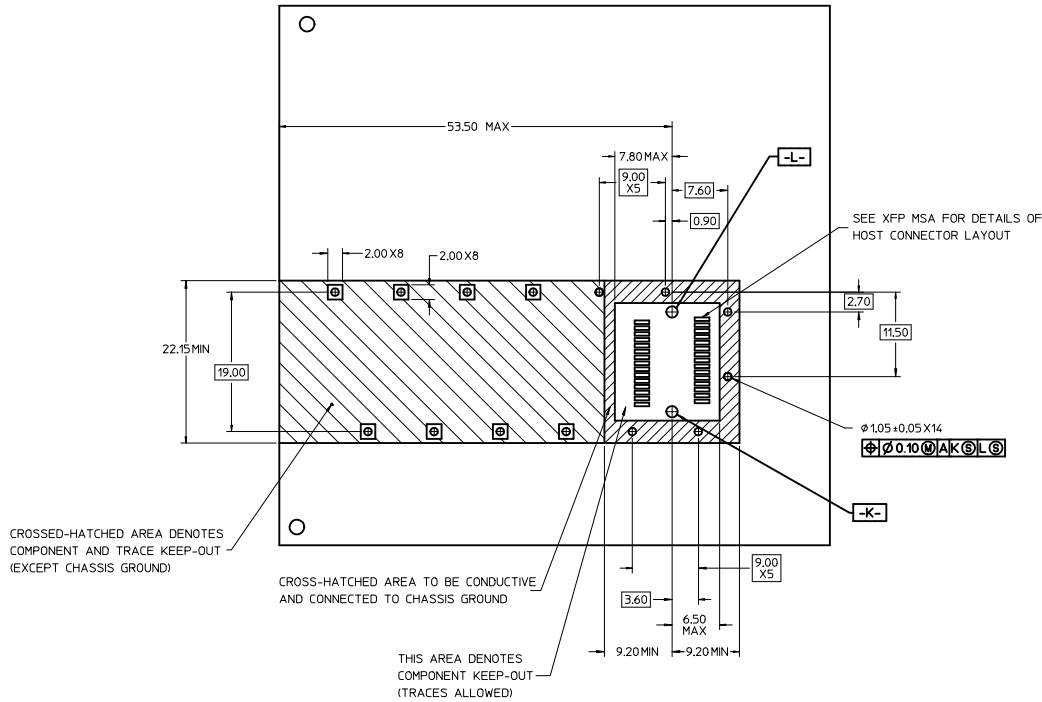


1. PRESS FIT LEGS 2.28mm [0.090"]
2. SINGLE SIDED BOARD THICKNESS  
 NOMINAL: 1.60 [0.062"]  
 MINIMUM: 1.44 [0.057"]  
 BELLY TO BELLY BOARD THICKNESS  
 NOMINAL: 2.30 [0.090"]  
 MINIMUM: 2.07 [0.081"]
3. REFERENCE DOCUMENTS:  
 PRODUCT SPECIFICATION: XFP MSA
4. THIS PRODUCT MEETS THE RESTRICTION OF HAZARDOUS SUBSTANCES IN ELECTRICAL AND ELECTRONIC EQUIPMENT (RoHS) DIRECTIVE (2009/95/EC).

<b>ADDED NOTE PG 2</b> EC NO: USY2011-0301 DRAWN: JERWIN CHECKED: CHRISCHY APPROVED: RAHMOOD DATE: 2010/03/10	QUALITY SYMBOLS	GENERAL TOLERANCES (UNLESS SPECIFIED)	DIMENSION STYLE	SCALE	DESIGN UNITS	THIRD ANGLE PROJECTION															
	▼=0 ▽=0	<table border="1"> <thead> <tr> <th></th> <th>mm</th> <th>INCH</th> </tr> </thead> <tbody> <tr> <td>4 PLACES</td> <td>±.005</td> <td>±.0005</td> </tr> <tr> <td>3 PLACES</td> <td>±.008</td> <td>±.0008</td> </tr> <tr> <td>2 PLACES</td> <td>±.010</td> <td>±.0010</td> </tr> <tr> <td>1 PLACE</td> <td>±.025</td> <td>±.0025</td> </tr> </tbody> </table> ANGULAR ± 1°		mm	INCH	4 PLACES	±.005	±.0005	3 PLACES	±.008	±.0008	2 PLACES	±.010	±.0010	1 PLACE	±.025	±.0025	MM ONLY DRAWN BY: JERWIN DATE: 2008/09/10 CHECKED BY: CHRISCHY DATE: 2008/08/10 APPROVED BY: RAHMOOD DATE: 2010/11/23	3:1	METRIC	TITLE: XFP CAGE ASSEMBLY W/ INSULATING TAPE MOLEX INCORPORATED
		mm	INCH																		
	4 PLACES	±.005	±.0005																		
3 PLACES	±.008	±.0008																			
2 PLACES	±.010	±.0010																			
1 PLACE	±.025	±.0025																			
DESCRIPTION	DRAFT WHERE APPLICABLE MUST REMAIN WITHIN DIMENSIONS	MATERIAL NO. 747360451	DOCUMENT NO. SD-74736-0451	SHEET NO. 1 OF 3																	
REV		THIS DRAWING CONTAINS INFORMATION THAT IS PROPRIETARY TO MOLEX INCORPORATED AND SHOULD NOT BE USED WITHOUT WRITTEN PERMISSION																			

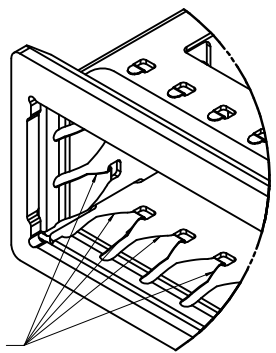
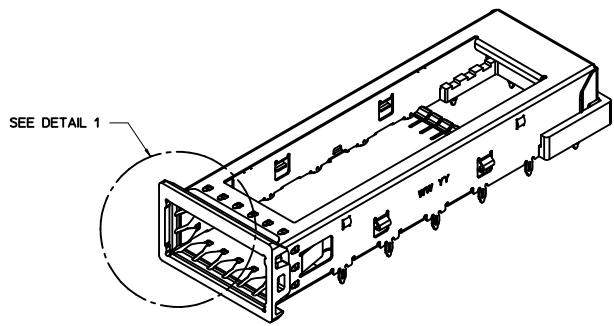
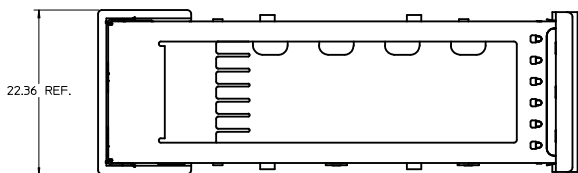


▲ FOR PCI APPLICATIONS RECOMMENDED DIMENSION IS 0.4 ± 0.1

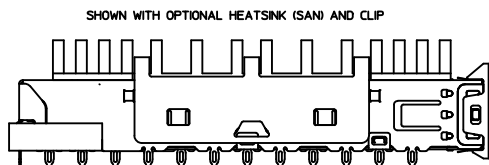
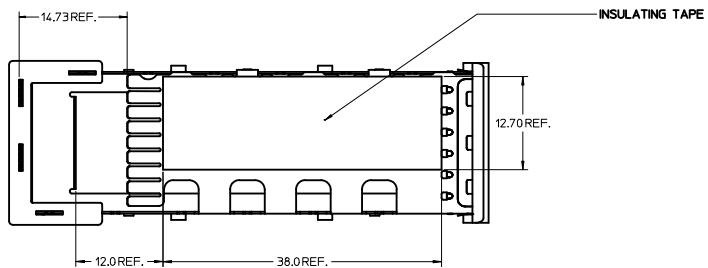
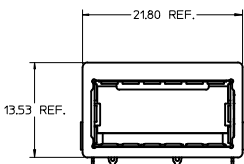
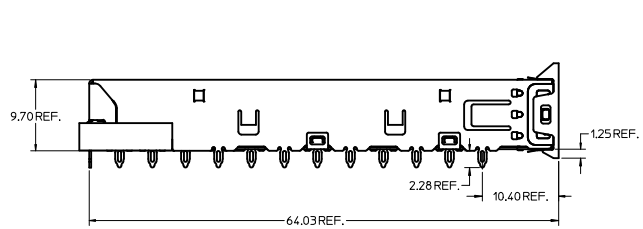
<b>ADDED NOTE PG 2</b> EC NO: USY2011-0301 DRAWN: JERWIN CHKD: CHIRSCHY APPR: RAHMOOD 2010/03/01 2010/11/23	QUALITY SYMBOLS	GENERAL TOLERANCES (UNLESS SPECIFIED)	DIMENSION STYLE	SCALE	DESIGN UNITS	THIRD ANGLE PROJECTION
	▽=0 ▽=0	mm INCH 4 PLACES ± --- ± --- 3 PLACES ± --- ± --- 2 PLACES ± 0.10 ± --- 1 PLACE ± 0.25 ± --- ANGULAR ± 1°	MM ONLY	3:1	METRIC	TITLE: XFP CAGE ASSEMBLY W/ INSULATING TAPE DATE: 2008/09/10 DATE: 2008/08/10 DATE: 2010/11/23
	DRAFT WHERE APPLICABLE MUST REMAIN WITHIN DIMENSIONS	MATERIAL NO: 747360451 SIZE: D	MOLEX INCORPORATED	DOCUMENT NO: SD-74736-0451 SHEET NO: 2 OF 3		
	THIS DRAWING CONTAINS INFORMATION THAT IS PROPRIETARY TO MOLEX INCORPORATED AND SHOULD NOT BE USED WITHOUT WRITTEN PERMISSION					

DATE	REV	DESCRIPTION
2008/09/10	A	1. INITIAL RELEASE
2009/05/07	B	1. REMOVED ISO VIEW FROM PAGE 1
		2. ADDED NOTES TO PAGE 1
		3. REMOVED NOTE 2 FROM PAGE 2
		4. REMOVED NOTE 3 FROM PAGE 1 AND RENUMBERED REMAINING NOTES
2010/03/01	C	1. ADDED NOTE - THIS AREA DENOTES COMPONENT KEEP-OUT (TRACES ALLOWED) PAGE 2.

<b>REMOVED ISO VIEW</b> IEC NO. USY2011-0301 DRAWN: JERWIN 2010/03/01 CHECKED: CHYKOSCHIRSCHY APPROVED: RMAHMOOD 2010/11/23	QUALITY SYMBOLS	GENERAL TOLERANCES (UNLESS SPECIFIED)	DIMENSION STYLE	SCALE	DESIGN UNITS	THIRD ANGLE PROJECTION														
	▽=0 ▽=0	<table border="1"> <thead> <tr> <th></th> <th>mm</th> <th>INCH</th> </tr> </thead> <tbody> <tr> <td>4 PLACES</td> <td>±---</td> <td>±---</td> </tr> <tr> <td>3 PLACES</td> <td>±---</td> <td>±---</td> </tr> <tr> <td>2 PLACES</td> <td>±0.10</td> <td>±---</td> </tr> <tr> <td>1 PLACE</td> <td>±0.25</td> <td>±---</td> </tr> </tbody> </table> ANGULAR ± 1°		mm	INCH	4 PLACES	±---	±---	3 PLACES	±---	±---	2 PLACES	±0.10	±---	1 PLACE	±0.25	±---	MM ONLY 1:1	METRIC	☉ □
		mm	INCH																	
	4 PLACES	±---	±---																	
3 PLACES	±---	±---																		
2 PLACES	±0.10	±---																		
1 PLACE	±0.25	±---																		
DRAFT WHERE APPLICABLE MUST REMAIN WITHIN DIMENSIONS	DRAWN BY: JERWIN DATE: 2008/09/10 CHECKED BY: CHIRSCHY DATE: 2008/08/10 APPROVED BY: RMAHMOOD DATE: 2010/11/23	TITLE: XFP CAGE ASSEMBLY W/ INSULATING TAPE MATERIAL NO: 747360451 DOCUMENT NO: SD-74736-0451	Molex MOLEX INCORPORATED	SHEET NO. 3 OF 3																

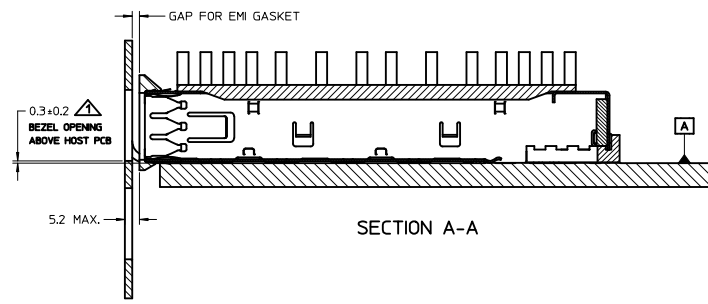
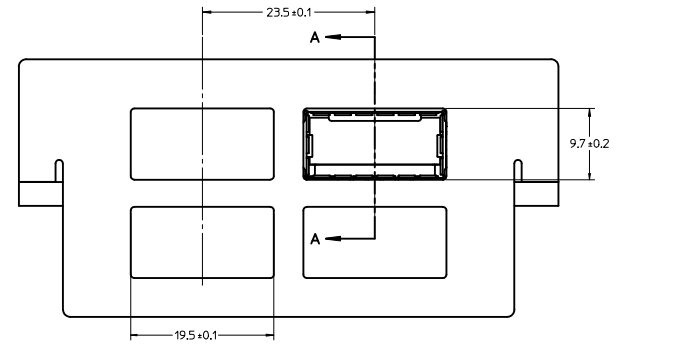
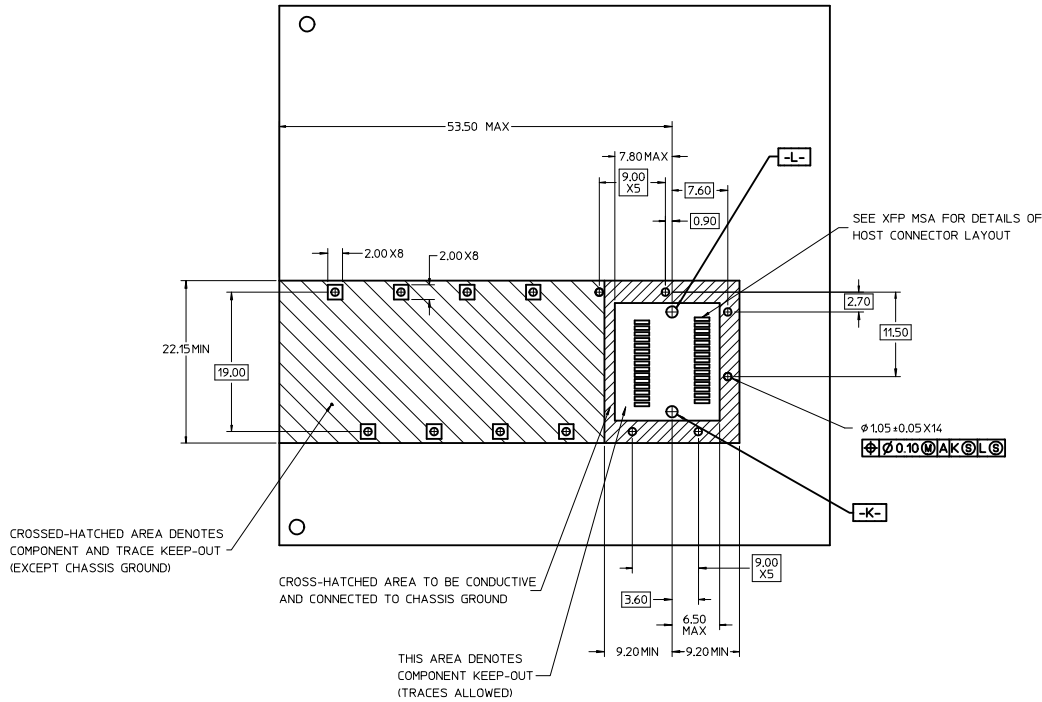


DETAIL 1  
SCALE 8:1



1. PRESS FIT LEGS 2.28mm [0.090"]
2. SINGLE SIDED BOARD THICKNESS  
 NOMINAL: 1.60 [0.062"]  
 MINIMUM: 1.44 [0.057"]  
 BELLY TO BELLY BOARD THICKNESS  
 NOMINAL: 2.30 [0.090"]  
 MINIMUM: 2.07 [0.081"]
3. REFERENCE DOCUMENTS:  
 PRODUCT SPECIFICATION: XFP MSA
4. THIS PRODUCT MEETS THE RESTRICTION OF HAZARDOUS SUBSTANCES IN ELECTRICAL AND ELECTRONIC EQUIPMENT (RoHS) DIRECTIVE (2009/95/EC).

INITIAL RELEASE EC NO: USY2011-0313 DRAWN: JERWIN 2010/11/03 CHECKED: CHRISCHY 2010/11/03 APPROVED: RMAHMOOD 2010/11/09	QUALITY SYMBOLS ▽=0 ▽=0	GENERAL TOLERANCES (UNLESS SPECIFIED)		DIMENSION STYLE MM ONLY		SCALE 3:1	DESIGN UNITS METRIC	THIRD ANGLE PROJECTION	
		4 PLACES ±.05 3 PLACES ±.04 2 PLACES ±.03 1 PLACE ±.02	±.05 ±.04 ±.03 ±.02	DRAWN BY JERWIN	DATE 2010/11/03	TITLE XFP CAGE ASSEMBLY W/ INSULATING TAPE			
		APPROVED BY RMAHMOOD	DATE 2010/11/09	MATERIAL NO. 747360452		DOCUMENT NO. SD-74736-0452			
		DRAFT WHERE APPLICABLE MUST REMAIN WITHIN DIMENSIONS		SIZE D		SHEET NO. 1 OF 3			



△ FOR PCI APPLICATIONS RECOMMENDED DIMENSION IS 0.4 ± 0.1

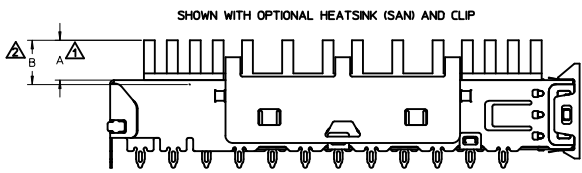
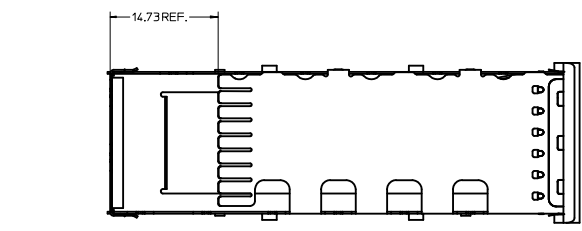
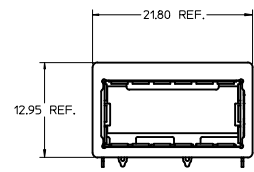
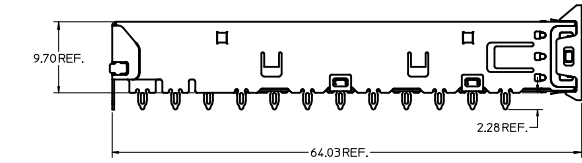
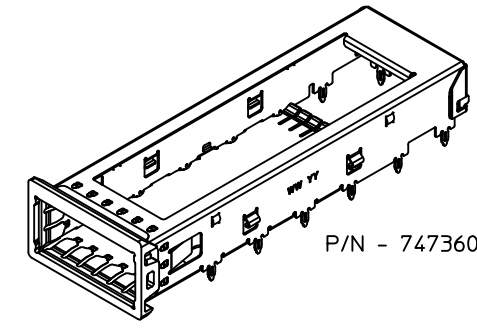
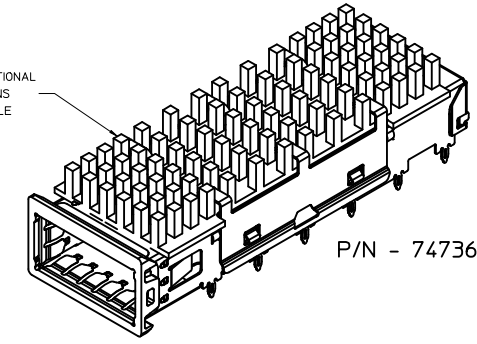
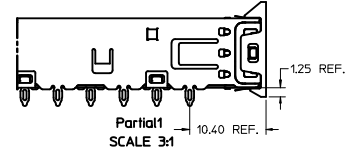
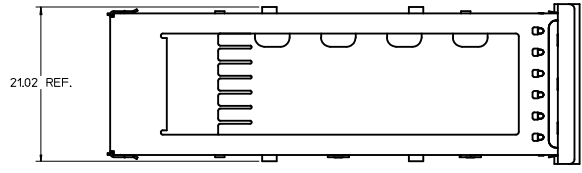
<b>INITIAL RELEASE</b> IEC NO: USYZ2011-0313 DRAWN: JERWIN 2010/11/03 CHKD: CHRSCHY 2010/11/03 APPR: RAHMOOD 2010/11/09	<b>QUALITY SYMBOLS</b> ▽=0 ▽=0	<b>GENERAL TOLERANCES (UNLESS SPECIFIED)</b>		<b>DIMENSION STYLE</b> MM ONLY	<b>SCALE</b> 3:1	<b>DESIGN UNITS</b> METRIC	THIRD ANGLE PROJECTION				
		4 PLACES ± --- ± ---	3 PLACES ± --- ± ---	2 PLACES ± 0.10 ± ---	1 PLACE ± 0.25 ± ---	ANGULAR ± 1°	DRAFT WHERE APPLICABLE MUST REMAIN WITHIN DIMENSIONS	DRAWN BY: JERWIN DATE: 2010/11/03	CHECKED BY: CHRSCHY DATE: 2010/11/03	APPROVED BY: RAHMOOD DATE: 2010/11/09	TITLE: XFP CAGE ASSEMBLY W/ INSULATING TAPE
		MATERIAL NO: <b>747360452</b>			DOCUMENT NO: <b>SD-74736-0452</b>		MOLEX INCORPORATED				
		SIZE: D			SHEET NO: 2 OF 3			THIS DRAWING CONTAINS INFORMATION THAT IS PROPRIETARY TO MOLEX INCORPORATED AND SHOULD NOT BE USED WITHOUT WRITTEN PERMISSION			

20 19 18 17 16 15 14 13 12 11 10 9 8 7 6 5 4 3 2 1

DATE	REV	DESCRIPTION
2010/11/03	A	1. INITIAL RELEASE

<b>INITIAL RELEASE</b> IEC NO. USY2011-0313 DRAWN BY: JERWIN 2010/11/03 CHYK: CHIRSCHY 2010/11/03 APPR: MAHMOOD 2010/11/09	QUALITY SYMBOLS ◀=0 ▽=0	GENERAL TOLERANCES (UNLESS SPECIFIED) <table border="1"> <thead> <tr> <th></th> <th>mm</th> <th>INCH</th> </tr> </thead> <tbody> <tr> <td>4 PLACES</td> <td>± .005</td> <td>± .0005</td> </tr> <tr> <td>3 PLACES</td> <td>± .010</td> <td>± .0005</td> </tr> <tr> <td>2 PLACES</td> <td>± 0.10</td> <td>± .005</td> </tr> <tr> <td>1 PLACE</td> <td>± 0.25</td> <td>± .010</td> </tr> </tbody> </table> ANGULAR ± 1°		mm	INCH	4 PLACES	± .005	± .0005	3 PLACES	± .010	± .0005	2 PLACES	± 0.10	± .005	1 PLACE	± 0.25	± .010	DIMENSION STYLE <b>MM ONLY</b>	SCALE <b>1:1</b>	DESIGN UNITS <b>METRIC</b>	THIRD ANGLE PROJECTION 
		mm	INCH																		
	4 PLACES	± .005	± .0005																		
	3 PLACES	± .010	± .0005																		
2 PLACES	± 0.10	± .005																			
1 PLACE	± 0.25	± .010																			
DRAWN BY: JERWIN 2010/11/03 CHECKED BY: CHIRSCHY 2010/11/03 APPROVED BY: MAHMOOD 2010/11/09	MATERIAL NO. <b>747360452</b>	TITLE <b>XFP CAGE ASSEMBLY W/ INSULATING TAPE</b>	MOLEX INCORPORATED	SHEET NO. <b>3 OF 3</b>																	
DRAFT WHERE APPLICABLE MUST REMAIN WITHIN DIMENSIONS	DOCUMENT NO. <b>SD-74736-0452</b>	THIS DRAWING CONTAINS INFORMATION THAT IS PROPRIETARY TO MOLEX INCORPORATED AND SHOULD NOT BE USED WITHOUT WRITTEN PERMISSION																			
SIZE <b>D</b>																					

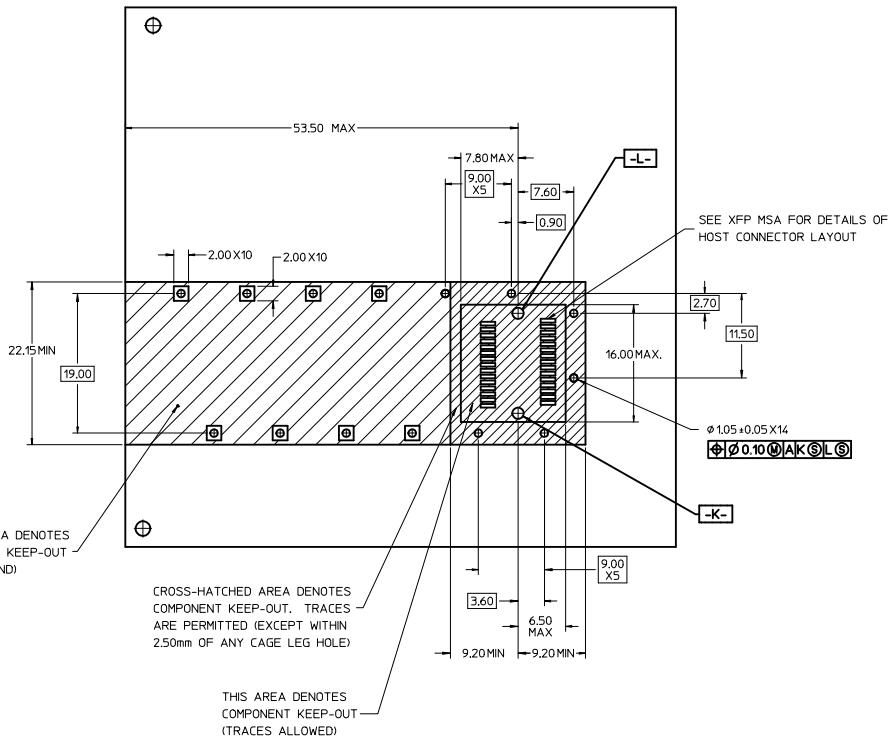
19 18 17 16 15 14 13 12 11 10 9 8 7 6 5 4 3 2 1



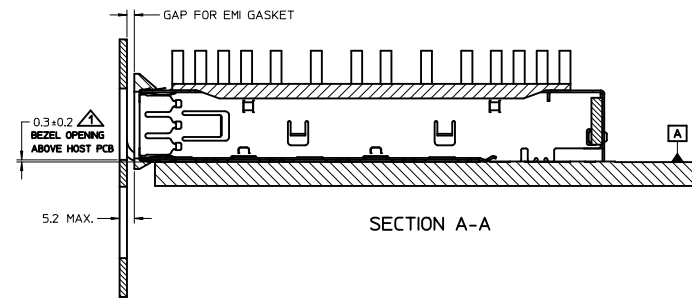
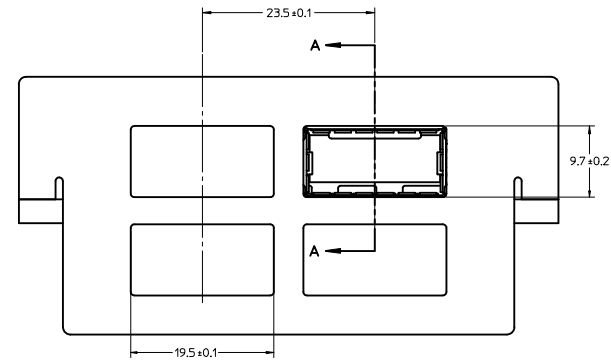
- ▲ MAXIMUM HEIGHT OF HEATSINK WITH MODULE INSERTED
- ▲ OVERALL HEIGHT OF HEATSINK
- 3. OTHER HEATSINK DESIGNS ARE AVAILABLE INCLUDING CUSTOM DESIGNS

PART NUMBER FOR XFP CAGE ASSEMBLY & PARTS (W/OUT ELASTOMER EMI GASKET)					
P/N	DIM A	DIM B	DESCRIPTION	POWER LEVEL	THERMAL RESISTANCE @200 LFM
747360210	N/A	N/A	XFP CAGE WITH NO HEATSINK OR CLIP	N/A	N/A
747360211	4.0	4.2	XFP CAGE WITH PCI HEATSINK	UP TO 1.5W	<18.0 C/W
747360212	6.3	6.5	XFP CAGE WITH SAN HEATSINK (SHOWN)	UP TO 2.5W	<11.5 C/W
747360213	13.3	13.5	XFP CAGE WITH TALL HEATSINK	UP TO 3.5W	<8.0 C/W
747360230	N/A	N/A	HEATSINK CLIP ONLY	N/A	N/A
747360240	N/A	N/A	PCI HEATSINK ONLY	UP TO 1.5W	<18.0 C/W
747360241	N/A	N/A	SAN HEATSINK ONLY	UP TO 2.5W	<11.5 C/W
747360242	N/A	N/A	TALL HEATSINK ONLY	UP TO 3.5W	<8.0 C/W

<b>ADDED NOTE PG 2</b> EC NO: USY2011-0301 DRAWN BY: ERWIN 2010/06/07 CHECKED BY: CHYKCHIRSHY 2010/10/13 APPROVED BY: RAHMOOD 2010/11/23	QUALITY SYMBOLS ▽=0 ▽=0	GENERAL TOLERANCES (UNLESS SPECIFIED) <table border="1"> <tr> <th></th> <th>mm</th> <th>INCH</th> </tr> <tr> <td>4 PLACES</td> <td>±.005</td> <td>±.0005</td> </tr> <tr> <td>3 PLACES</td> <td>±.008</td> <td>±.0008</td> </tr> <tr> <td>2 PLACES</td> <td>±.010</td> <td>±.0010</td> </tr> <tr> <td>1 PLACE</td> <td>±.025</td> <td>±.0025</td> </tr> </table> ANGULAR ± 1°		mm	INCH	4 PLACES	±.005	±.0005	3 PLACES	±.008	±.0008	2 PLACES	±.010	±.0010	1 PLACE	±.025	±.0025	DIMENSION STYLE <b>MM ONLY</b>	SCALE <b>3:1</b>	DESIGN UNITS <b>METRIC</b>	THIRD ANGLE PROJECTION
		mm	INCH																		
	4 PLACES	±.005	±.0005																		
	3 PLACES	±.008	±.0008																		
2 PLACES	±.010	±.0010																			
1 PLACE	±.025	±.0025																			
DRAWN BY: KLOYD 2004/12/02 CHECKED BY: BRUSSELL 2004/12/02 APPROVED BY: RAHMOOD 2010/11/23	DRAFT WHERE APPLICABLE MUST REMAIN WITHIN DIMENSIONS		SEE CHART	MATERIAL NO.	DOCUMENT NO.	TITLE <b>XFP CAGE ASSEMBLY WITHOUT ELASTOMER EMI GASKET</b>															
MOLEX INCORPORATED			SD-74736-210	SHEET NO. 1 OF 2	THIS DRAWING CONTAINS INFORMATION THAT IS PROPRIETARY TO MOLEX INCORPORATED AND SHOULD NOT BE USED WITHOUT WRITTEN PERMISSION																

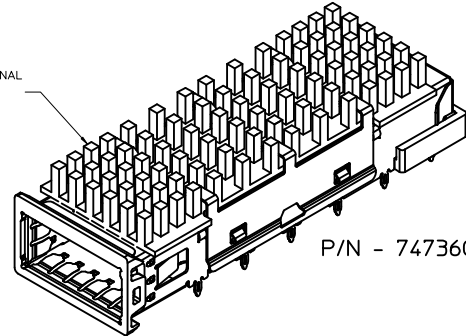
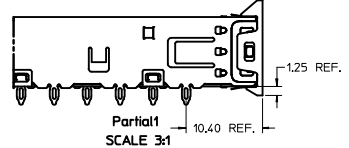
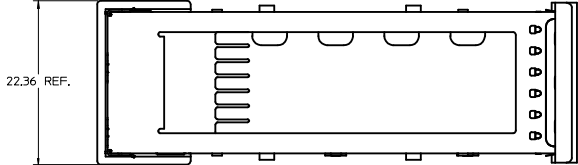


▲ FOR PCI APPLICATIONS RECOMMENDED DIMENSION IS 0.4 ±0.1

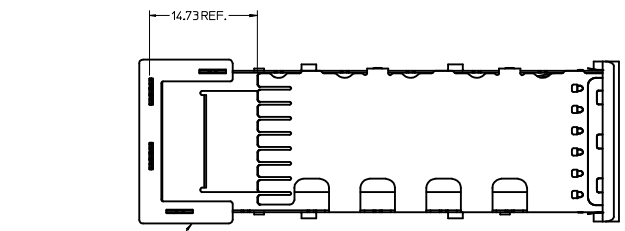
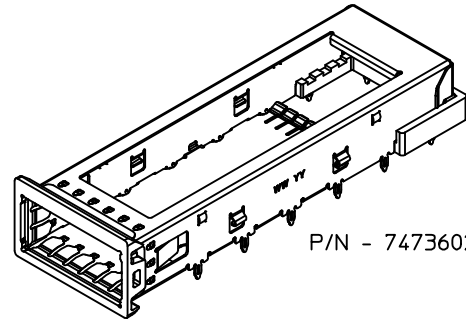
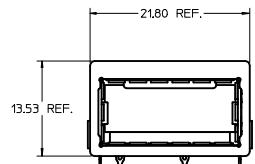
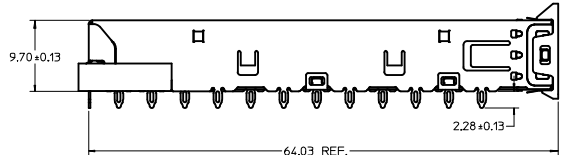


<b>ADDED NOTE PG 2</b> EEC NO: USYZ011-0301 DRAWN: LERMIN 2010/06/07 CHECKED: HIRSCHY 2010/10/13 APPROVED: MAHMOOD 2010/11/23	QUALITY SYMBOLS	GENERAL TOLERANCES (UNLESS SPECIFIED)	DIMENSION STYLE	SCALE	DESIGN UNITS	THIRD ANGLE PROJECTION
	▼=0 ▽=0	mm INCH 4 PLACES ±--- ±--- 3 PLACES ±--- ±--- 2 PLACES ±0.10 ±--- 1 PLACE ±0.25 ±--- ANGULAR ± 1°	MM ONLY	3:1	METRIC	DRAWN BY DATE K LLOYD 2004/12/02 CHECKED BY DATE BRUSSELL 2004/12/02 APPROVED BY DATE RMAHMOOD 2010/11/23
	DRAFT WHERE APPLICABLE MUST REMAIN WITHIN DIMENSIONS	MATERIAL NO. SEE CHART	TITLE XFP CAGE ASSEMBLY WITHOUT ELASTOMER EMI GASKET	MOLEX INCORPORATED	DOCUMENT NO. SD-74736-210	SHEET NO. 2 OF 2
	SIZE D	THIS DRAWING CONTAINS INFORMATION THAT IS PROPRIETARY TO MOLEX INCORPORATED AND SHOULD NOT BE USED WITHOUT WRITTEN PERMISSION				

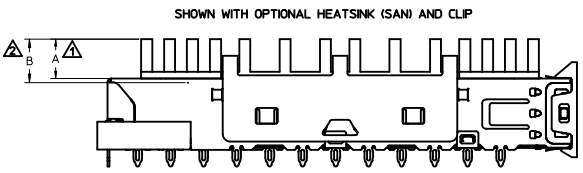




HEATSINK SINK AND CLIP ARE OPTIONAL  
SEE CHART FOR HEATSINK OPTIONS  
CUSTOM HEATSINKS ARE AVAILABLE



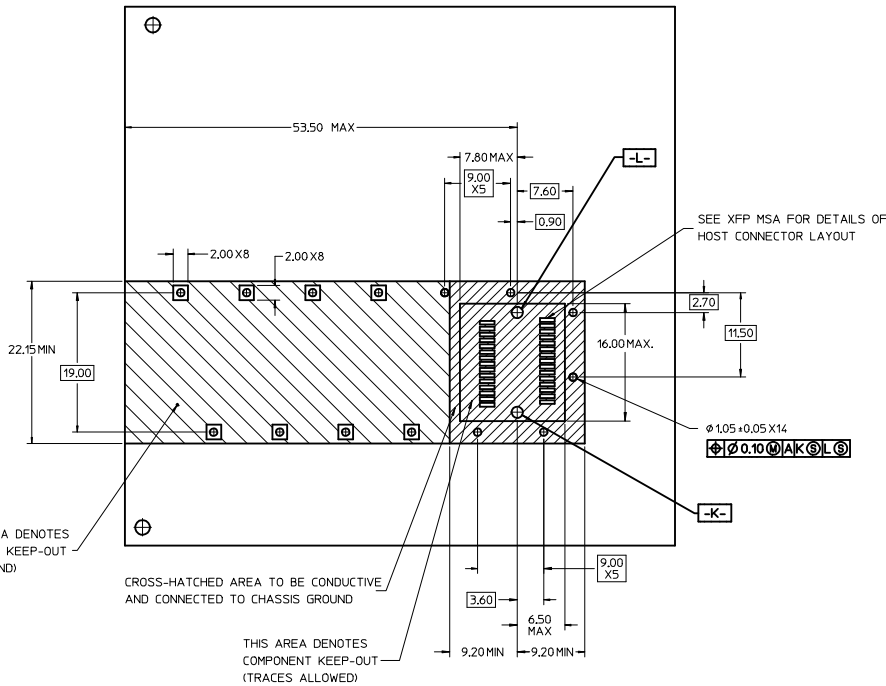
COMPLIANT EMI GASKET  
(DARK COLORED)



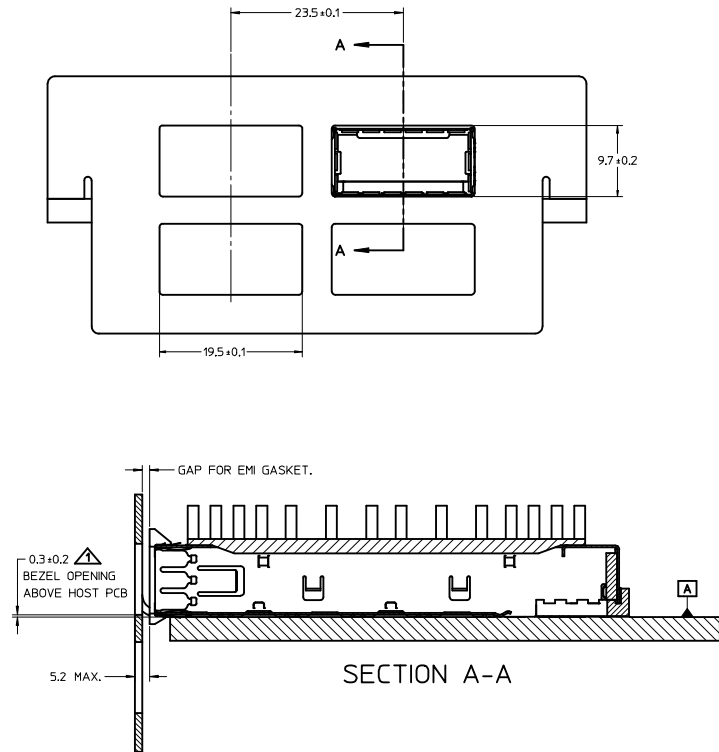
PART NUMBER FOR XFP CAGE ASSEMBLY & PARTS					
P/N	DIM A	DIM B	DESCRIPTION	POWER LEVEL	THERMAL RESISTANCE @200 LFM
747360220	N/A	N/A	XFP CAGE WITH NO HEATSINK OR CLIP	N/A	N/A
747360221	4.0	4.2	XFP CAGE WITH PCI HEATSINK	UP TO 1.5W	<18.0 C/W
747360222	6.3	6.5	XFP CAGE WITH SAN HEATSINK (SHOWN)	UP TO 2.5W	<11.5 C/W
747360223	13.3	13.5	XFP CAGE WITH TALL HEATSINK	UP TO 3.5W	<8.0 C/W
747360230	N/A	N/A	HEATSINK CLIP ONLY	N/A	N/A
747360240	N/A	N/A	PCI HEATSINK ONLY	UP TO 1.5W	<18.0 C/W
747360241	N/A	N/A	SAN HEATSINK ONLY	UP TO 2.5W	<11.5 C/W
747360242	N/A	N/A	TALL HEATSINK ONLY	UP TO 3.5W	<8.0 C/W

- ▲ MAXIMUM HEIGHT OF HEATSINK WITH MODULE INSERTED
- ▲ OVERALL HEIGHT OF HEATSINK
- 3. OTHER HEATSINK DESIGNS ARE AVAILABLE INCLUDING CUSTOM DESIGNS

<b>SEE REVISION TABLE</b> IEC NO: CPG2016-1906 DRAWN BY: DRWNEWANG07 CHECKED BY: CHKDRCHEN08 APPROVED BY: APPRDRCHEN08 DATE: 2015/11/05 DATE: 2015/11/05 DATE: 2015/11/05	QUALITY SYMBOLS ▽=0 ▽=0 ▽=0	GENERAL TOLERANCES (UNLESS SPECIFIED) DIMENSION STYLE: MM ONLY SCALE: 3:1 DESIGN UNITS: METRIC THIRD ANGLE PROJECTION	DRAWN BY: DATE: KLOYD 2004/05/14 CHECKED BY: DATE: BRUSSELL 2004/08/05 APPROVED BY: DATE: RMAHMOOD 2010/11/09	TITLE: XFP CAGE ASSEMBLY	
	DIMENSION SYMBOLS mm: ±--- INCH: ±--- ANGULAR: ± 1 °	DRAFT WHERE APPLICABLE MUST REMAIN WITHIN DIMENSIONS	MATERIAL NO.: SEE CHART DOCUMENT NO.: SD-74736-220	SHEET NO.: 1 OF 3	molex
	THIS DRAWING CONTAINS INFORMATION THAT IS PROPRIETARY TO MOLEX INCORPORATED AND SHOULD NOT BE USED WITHOUT WRITTEN PERMISSION				
	SEE CHART				



▲ FOR PCI APPLICATIONS RECOMMENDED DIMENSION IS 0.4 ±0.1



SEE REVISION TABLE EC NO: CPG2016-1906 DRAWN BY: CHYKORCHEN07 CHECKED BY: CHYKORCHEN08 APPROVED BY: CHYKORCHEN08	2015/11/05	QUALITY SYMBOLS ▽=0 ▽=0 ▽=0	GENERAL TOLERANCES (UNLESS SPECIFIED)		DIMENSION STYLE	SCALE	DESIGN UNITS	THIRD ANGLE PROJECTION	
	2015/11/05		mm	INCH	MM ONLY	3:1	METRIC	☉	
	2015/11/05		4 PLACES ±	±	DRAWN BY	DATE	TITLE		
	2015/11/05		3 PLACES ±	±	KLLOYD	2004/05/14	XFP CAGE ASSEMBLY		
			2 PLACES ±	±	CHECKED BY	DATE			
			1 PLACE ±	±	BRUSSELL	2004/08/05			
			0 PLACE ±	±	APPROVED BY	DATE			
					RAYMOOD	2010/11/09			
					MATERIAL NO.	DOCUMENT NO.			
					SEE SHEET 1	SD-74736-220			
					THIS DRAWING CONTAINS INFORMATION THAT IS PROPRIETARY TO MOLEX INCORPORATED AND SHOULD NOT BE USED WITHOUT WRITTEN PERMISSION			SHEET NO. 2 OF 3	

20 19 18 17 16 15 14 13 12 11 10 9 8 7 6 5 4 3 2 1

DATE	REV	DESCRIPTION
2015/11/05	G	SHEET 1: H15: CHANGED DIM 2.28 REF. TO DIM 2.28 +/-0.13. H19: CHANGED DIM 9.70 REF. TO DIM 9.70 +/-0.13.

<b>SEE REVISION TABLE</b> IEC NO: CPG2016-1906 G DRAWN: WANG07 2015/11/05 CHYKORCHEN08 2015/11/05 APPR: RCHEN08 2015/11/05	QUALITY SYMBOLS	GENERAL TOLERANCES (UNLESS SPECIFIED)	DIMENSION STYLE	SCALE	DESIGN UNITS	THIRD ANGLE PROJECTION	
	▽=0	4 PLACES ±	mm INCH	MM ONLY	1:1	METRIC	
	▽=0	3 PLACES ±					
	▽=0	2 PLACES ±					
		ANGULAR ± 1 °					
		DRAFT WHERE APPLICABLE MUST REMAIN WITHIN DIMENSIONS					
			DRAWN BY DATE				
			KLOYD 2004/05/14				
			CHECKED BY DATE				
			BRUSSELL 2004/08/05				
			APPROVED BY DATE				
			RAHMOOD 2010/11/09				
			MATERIAL NO.	DOCUMENT NO.			
			SEE SHEET 1	SD-74736-220			
			THIS DRAWING CONTAINS INFORMATION THAT IS PROPRIETARY TO MOLEX INCORPORATED AND SHOULD NOT BE USED WITHOUT WRITTEN PERMISSION				
						SHEET NO. 3 OF 3	

19 18 17 16 15 14 13 12 11 10 9 8 7 6 5 4 3 2 1