

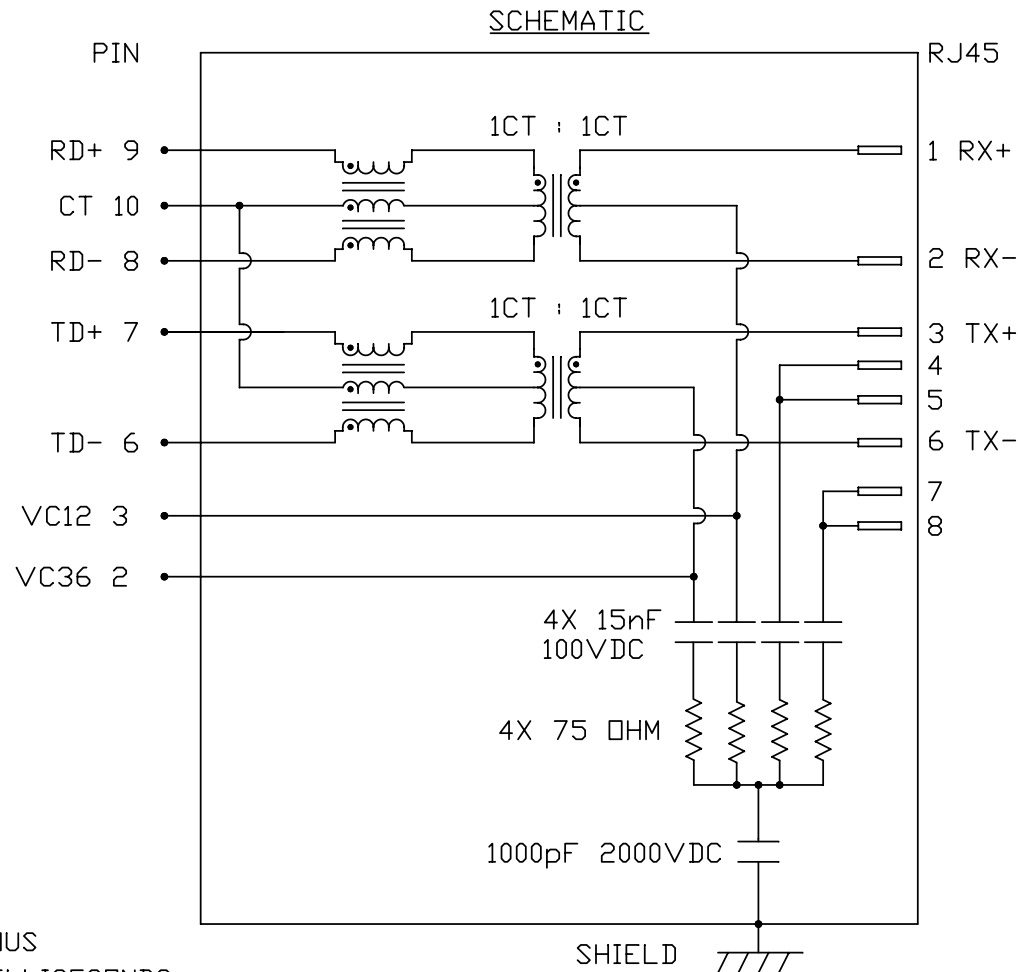
THE INFORMATION CONTAINED HEREIN IS CONSIDERED 'PROPRIETARY' TO BEL FUSE INC. AND SHALL NOT BE COPIED, REPRODUCED OR DISCLOSED WITHOUT THE WRITTEN APPROVAL OF BEL FUSE INC.

RoHS
2002/95/EC



ELECTRICAL CHARACTERISTICS @ 25°C

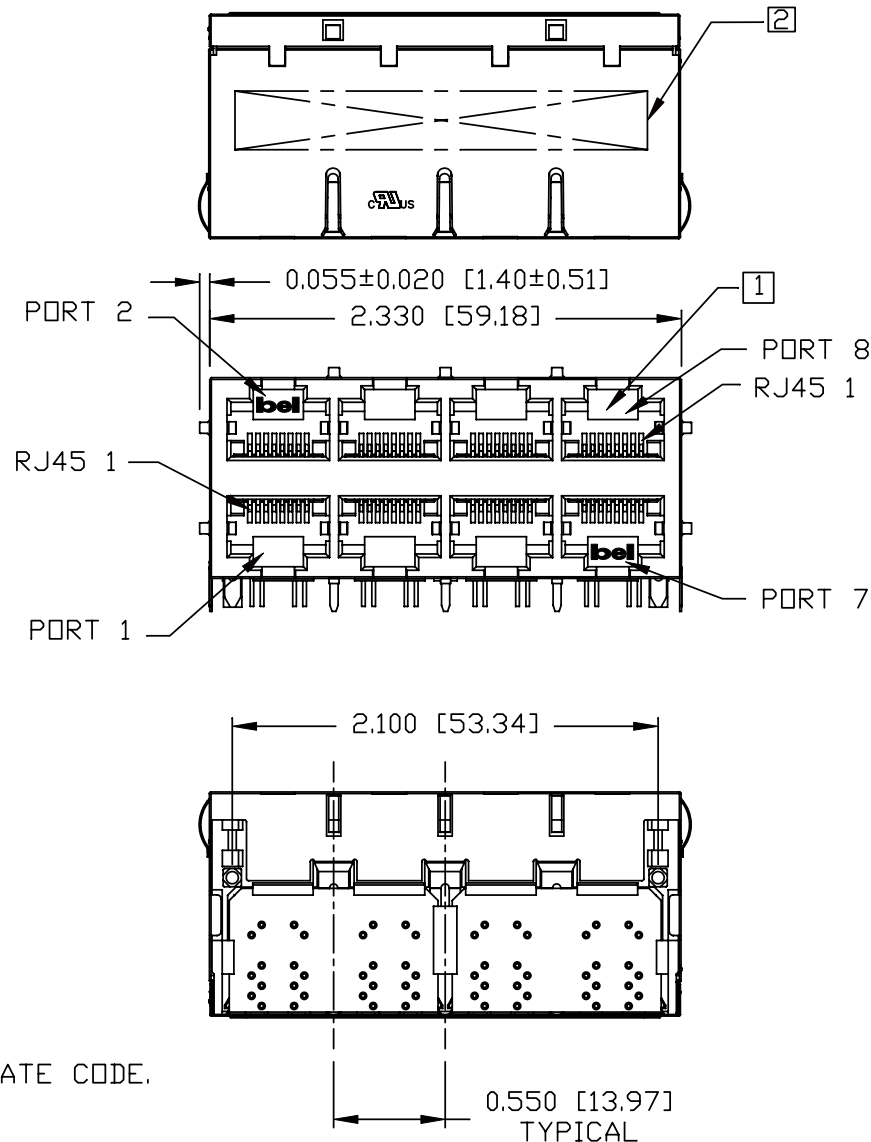
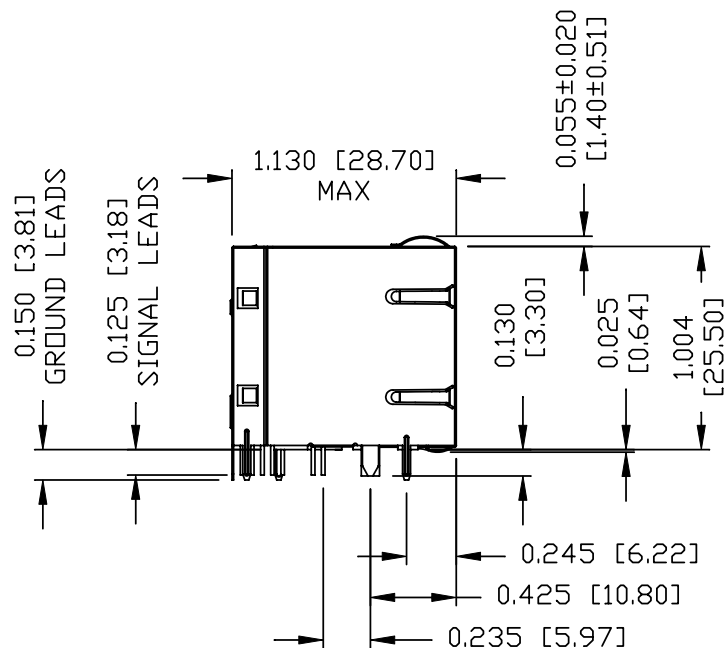
<p> TURNS RATIO □CL @ 100mV, 100KHz 8mA DC BIAS INSERTION LOSS 100KHz TO 100MHz RETURN LOSS (MIN.) 2MHz-30MHz 60MHz-80MHz D.C. RESISTANCE (9-8)=(7-6) (RJ1-RJ2)=(RJ3-RJ6) INTERWINDING CAPACITANCE PER CHANNEL (PRI. to SEC.) XTALK 100KHz TO 100MHz HIPOT (Isolation Voltage): 100% OF PRODUCTION TESTED TO COMPLY WITH IEEE 802.3 ISOLATION REQUIREMENTS. BALANCED DC LINE CURRENT </p>	<p> 1CT : 1CT ±2% 350µH MIN. -1.5 dB MAX. -16 dB MIN. -10 dB MIN. 1.4 ΩHM. 1.0 ΩHM. 40 pF MAX. -30 dB MIN. 2250 VDC 720 mA MAX. @ 57 VDC CONTINUOUS 1.2 A MAX. @ 57 VDC for 200 MILLISECONDS </p>
---	--



ORIGINATED BY CHOW WANGCHUNG	DATE 03-20-09	TITLE 10/100 MagJack® (PoEp) 0833-2X4R-BU-F	PART NO. / DRAWING NO. 08332X4RBU-F	STANDARD DIM. TOL. IN INCH .X .XX .XXX	[] METRIC DIM. AS REFERENCE		REV. : A SIZE : A4 PAGE : 2		
					UNIT : INCH [mm]	SCALE : N/A			
DRAWN BY LEE WEIDE	DATE 03-20-09	FILE NAME 08332X4RBU-F_A.DWG	[] METRIC DIM. AS REFERENCE		UNIT : INCH [mm]		SCALE : N/A		COMPONENTS ON A CONNECTED PLANET

THE INFORMATION CONTAINED HEREIN IS CONSIDERED 'PROPRIETARY' TO BEL FUSE INC. AND SHALL NOT BE COPIED, REPRODUCED OR DISCLOSED WITHOUT THE WRITTEN APPROVAL OF BEL FUSE INC.

RoHS
2002/95/EC



NOTES:

PLASTIC HOUSING: THERMOPLASTIC PBT
FLAMMABILITY RATING UL 94V-0
CONTACT PLATING: 50 MICRO-INCH HARD GOLD PLATING
OUTPUT PINS: TIN-COATED COPPER WIRE, DIA 0.018 INCH.
METAL SHIELD: NICKEL PLATED ON COPPER ALLOY.
(ALL GROUND LEADS ARE SOLDER DIPPED)

- 1. JACK CAVITY CONFORMS TO FCC RULES AND REGULATIONS, PART 68 SUBPART F.
- 2. MARK PART WITH MFG LOGO, MFG NAME, PART NUMBER, AND DATE CODE.

UL RECOGNIZED - FILE #E196366 AND E169987.

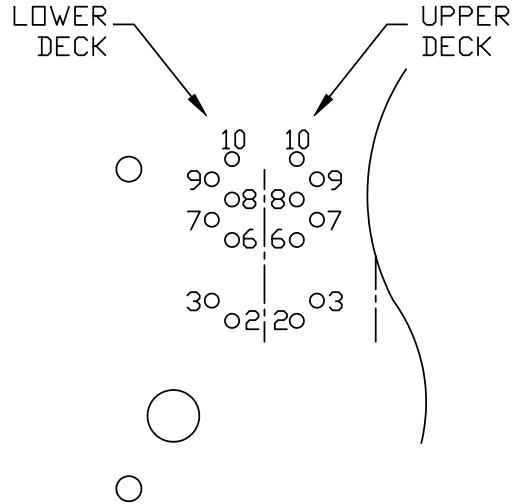
RoHS COMPLIANT, PER EU DIRECTIVE 2002/95/EC.

ORIGINATED BY	DATE	TITLE	PART NO. / DRAWING NO.	STANDARD DIM. TOL. IN INCH	[] METRIC DIM. AS REFERENCE
LIU QIN	03-20-09	10/100 MagJack® (PoEp)	08332X4RBU-F	.X	UNIT : INCH [mm] REV. : A
DRAWN BY	DATE	0833-2X4R-BU-F	FILE NAME	.XX	SCALE : N/A SIZE : A4
XIAN JIAXIN	03-20-09		08332X4RBU-F_A.DWG	.XXX ±0.010	PAGE : 3



THE INFORMATION CONTAINED HEREIN IS CONSIDERED "PROPRIETARY" TO BEL FUSE INC. AND SHALL NOT BE COPIED, REPRODUCED OR DISCLOSED WITHOUT THE WRITTEN APPROVAL OF BEL FUSE INC.

RoHS
2002/95/EC

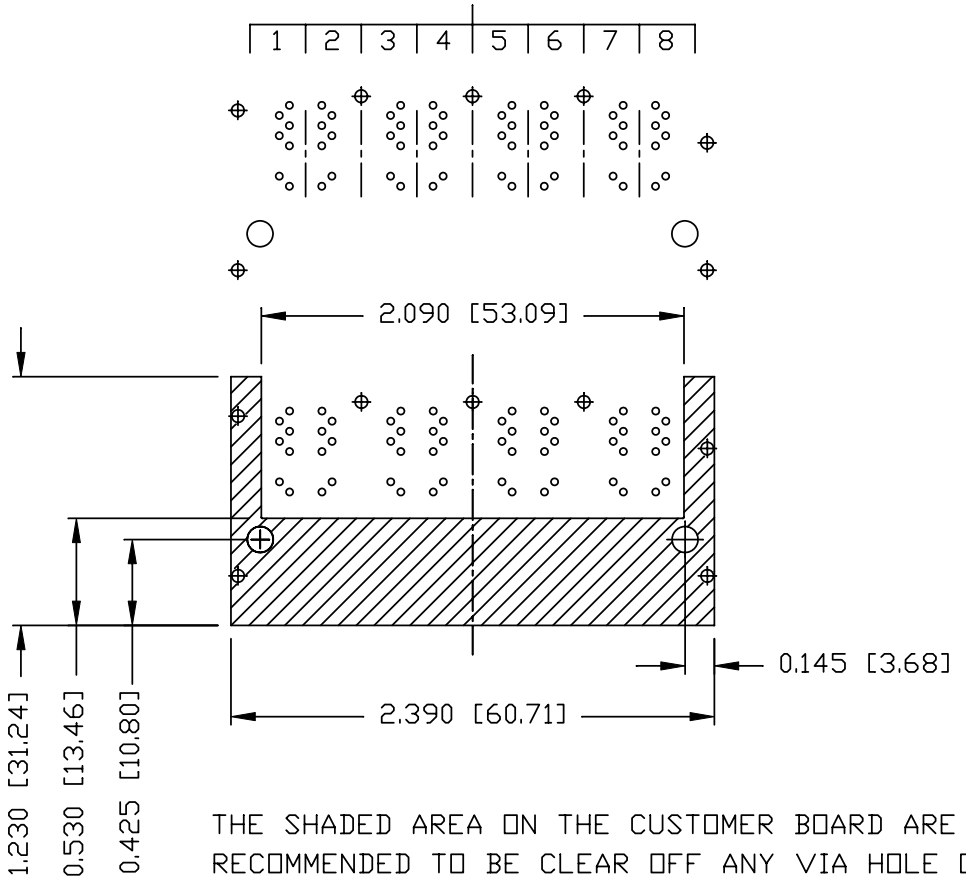


PIN-OUT INFORMATION
(COMPONENT SIDE VIEW)

10	COMMON CT
9	RD+
8	RD-
7	TD+
6	TD-
5	NO PIN
4	NO PIN
3	Vc12
2	Vc36
1	NO PIN

UNUSED PIN LOCATIONS MUST BE REMOVED TO ENSURE 2KV ISOLATION.

PORT ASSIGNMENT
(COMPONENT SIDE VIEW)



THE SHADED AREA ON THE CUSTOMER BOARD ARE RECOMMENDED TO BE CLEAR OFF ANY VIA HOLE OR COMPONENT PAD.

ORIGINATED BY	DATE	TITLE
LIU QIN	03-20-09	10/100 MagJack® (PoEp)
DRAWN BY	DATE	0833-2X4R-BU-F
XIAN JIAXIN	03-20-09	

PART NO. / DRAWING NO.	STANDARD DIM. TOL. IN INCH	[] METRIC DIM. AS REFERENCE
08332X4RBU-F	.X	UNIT : INCH [mm] REV. : A
FILE NAME	.XX	SCALE : N/A SIZE : A4
08332X4RBU-F_A.DWG	.XXX ±0.004	PAGE : 4

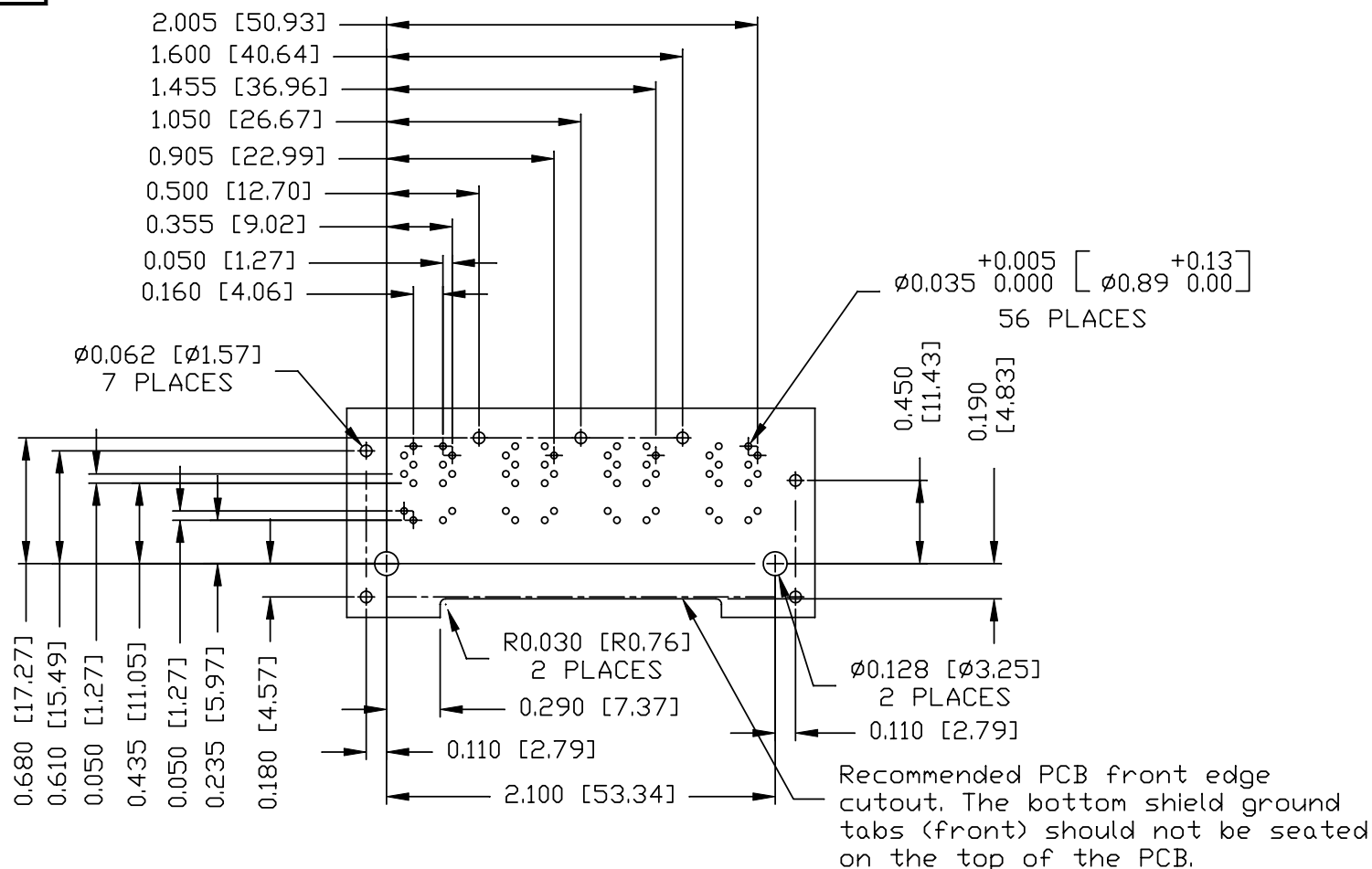
STANDARD DIM. TOL. IN INCH	[] METRIC DIM. AS REFERENCE
.X	UNIT : INCH [mm] REV. : A
.XX	SCALE : N/A SIZE : A4
.XXX ±0.004	PAGE : 4

[] METRIC DIM. AS REFERENCE	UNIT : INCH [mm] REV. : A
UNIT : INCH [mm] REV. : A	SCALE : N/A SIZE : A4
SCALE : N/A SIZE : A4	PAGE : 4



THE INFORMATION CONTAINED HEREIN IS CONSIDERED "PROPRIETARY" TO BEL FUSE INC. AND SHALL NOT BE COPIED, REPRODUCED OR DISCLOSED WITHOUT THE WRITTEN APPROVAL OF BEL FUSE INC.

RoHS
2002/95/EC



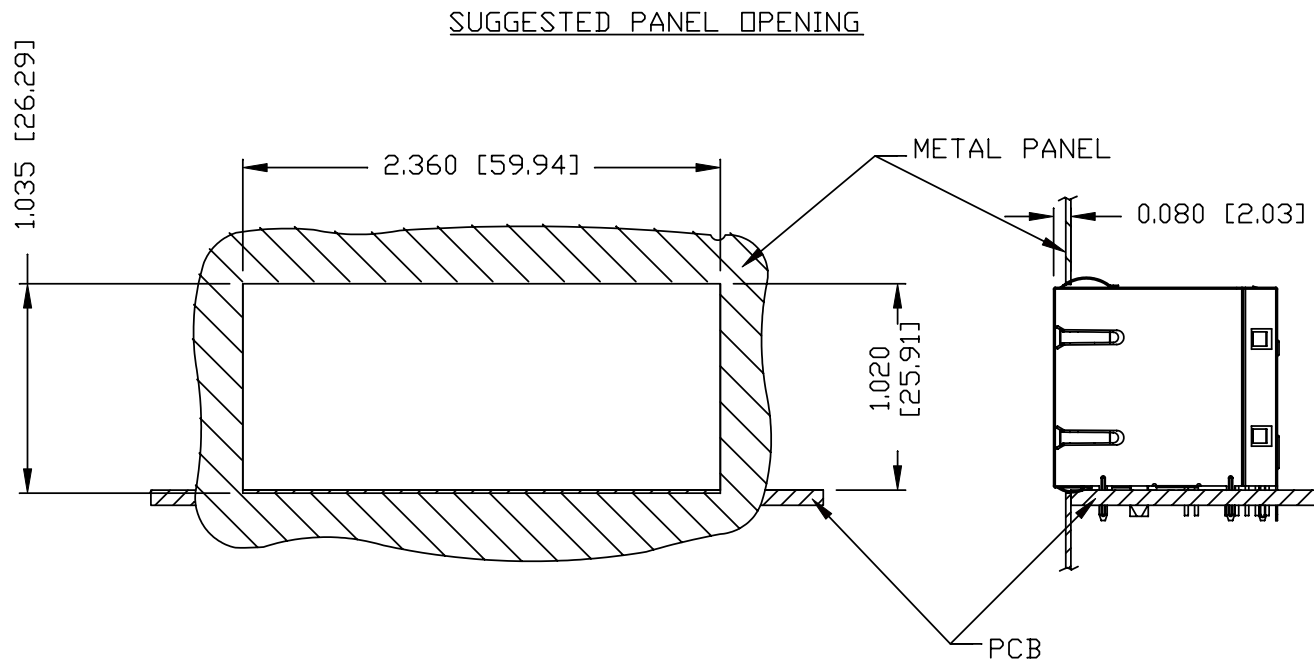
SUGGESTED FOOTPRINT
(COMPONENT SIDE VIEW)

ORIGINATED BY	DATE	TITLE	PART NO. / DRAWING NO.	STANDARD DIM. TOL. IN INCH	[] METRIC DIM. AS REFERENCE
LIU QIN	03-20-09	10/100 MagJack® (PoEp) 0833-2X4R-BU-F	08332X4RBU-F	.X	UNIT : INCH [mm] REV. : A
DRAWN BY	DATE		FILE NAME	.XX	SCALE : N/A SIZE : A4
XIAN JIAXIN	03-20-09		08332X4RBU-F_A.DWG	.XXX ±0.004	PAGE : 5



THE INFORMATION CONTAINED HEREIN IS CONSIDERED "PROPRIETARY" TO BEL FUSE INC. AND SHALL NOT BE COPIED, REPRODUCED OR DISCLOSED WITHOUT THE WRITTEN APPROVAL OF BEL FUSE INC.

RoHS
2002/95/EC



NOTES:

THE DISTANCE OF PANEL INSIDE SURFACE RELATIVE TO FRONT SURFACE OF PART IS ONLY A SUGGESTION. IN CASE THIS DISTANCE IS DIFFERENT, THE REQUIRED PANEL OPENING DIMENSIONS CHANGE ACCORDINGLY.

PACKING INFORMATION

PACKING TRAY : 0200-0148-46 (TOP)

0200-0148-47 (BOTTOM)

PACKING QUANTITY : 20 PCS FINISHED GOODS PER TRAY.

7 TRAYS (140 PCS FINISHED GOODS) PER CARTON BOX.

NOTE : CARDBOARDS ARE PLACED BETWEEN LAYERS OF PACKING TRAY INSIDE CARTON BOX.

(INCLUDE THE UPPERMOST AND LOWERMOST TRAY)

ORIGINATED BY	DATE	TITLE	PART NO. / DRAWING NO.	STANDARD DIM. TOL. IN INCH	[] METRIC DIM. AS REFERENCE
LIU QIN	03-20-09	10/100 MagJack® (PoEp)	08332X4RBU-F	.X	UNIT : INCH [mm] REV. : A
DRAWN BY	DATE	0833-2X4R-BU-F	FILE NAME	.XX	SCALE : N/A SIZE : A4
XIAN JIAXIN	03-20-09		08332X4RBU-F_A.DWG	.XXX ±0.004	⊕ - - - PAGE : 6

