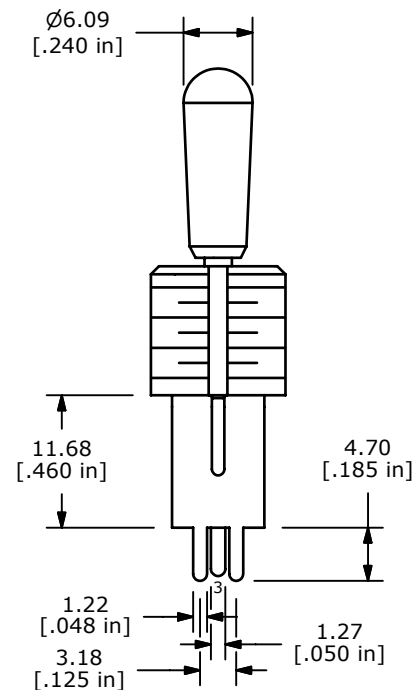
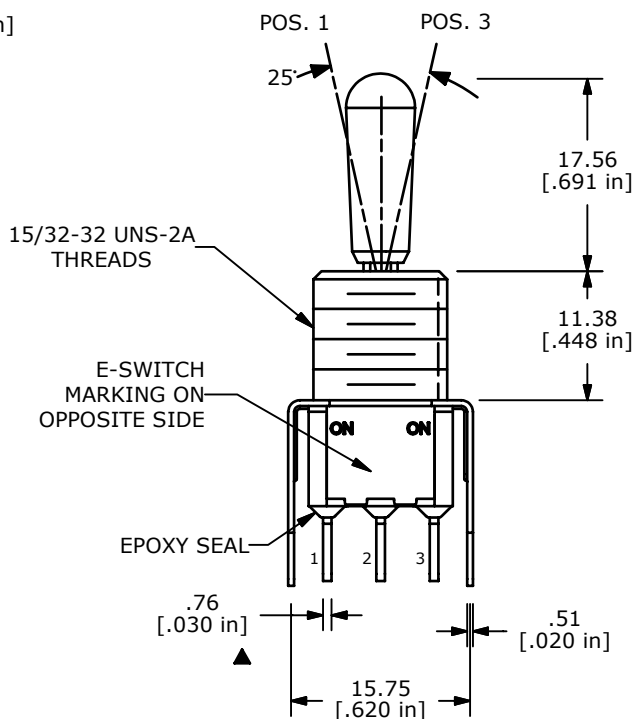
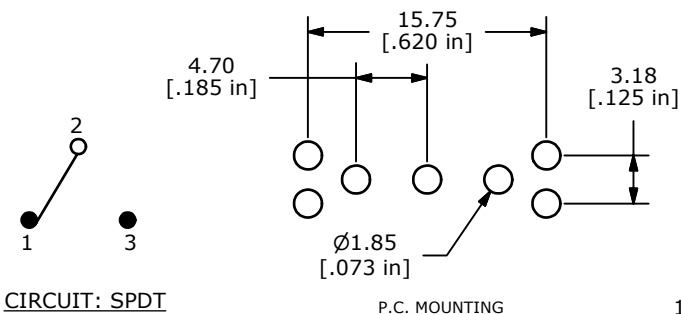
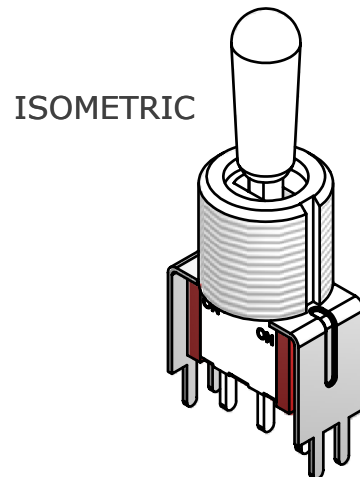
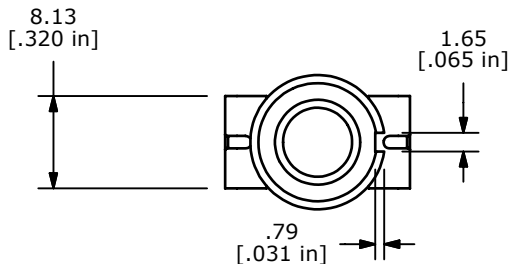


SWITCH FUNCTION		
POS. 1	POS. 2	POS. 3
ON	NONE	ON
2-3	N/A	2-1



- NOTE:
1. ALL DIMENSIONS IN MM [INCH]
  2. GENERAL TOLERANCE: X.X=±0.4  
X.XX=±0.25
  3. TERMINAL NUMBERS FOR REF ONLY
  - ▲ 4. CONTACT MATERIAL: GOLD
  5. RATING: 0.4 (VA) Max. @ 20V (AC or DC)
  6. ELECTRIC LIFE: 40,000 MAKE-AND-BREAK CYCLES AT FULL LOAD.
  7. INSULATION RESISTANCE: 1,000 MEGA-OHM MIN.
  8. DIELECTRIC STRENGTH: 1,000 V RMS @SEA LEVEL.
  9. OPERATING TEMP.: -30°C to 85°C
  - ▲ 10. DENOTES CRITICAL PARAMETER.
  11. 2002/95/EC (ROHS) COMPLIANT
  12. HARDWARE TO BE SHIPPED BULK  
T100004 - HEXNUT - QTY 2  
T100012 - LOCKWASHER - QTY 1  
T100003 - LOCKRING - QTY 1



A	17982	RELEASED FOR PRODUCTION	2/22/08	BLR
REV	PCR NO	DESCRIPTION	DATE	BY

TITLE 100SP1T8B13VS2REH				
SCALE	DATE	DR	DWG	REV
2:1	2/22/2008	BLR	ST113057	A

THE INFORMATION CONTAINED IN THIS DOCUMENT IS PROPRIETARY TO E-SWITCH AND IS NOT TO BE COPIED OR TRANSFERRED