

DETAILS

Product Number	FN13888_BILLIE-A
Family	Billie
Type	Pack
Color	white
Diameter	21,5 mm
Height	16,1 mm
Style	round
Optic Material	PMMA
Holder Material	
Fastening	pin
Status	production ready
ROHS Compliant	Yes
Date Updated	2/11/2016



OPTICAL PROPERTIES

LED	Viewing Angle	Light Beam	Efficiency	cd/lm	Connector
XB-D	Asymmetric deg	Asymmetric	85 %	2.100	-
XP-G	Asymmetric deg	Asymmetric	88 %	2.200	-
XT-E	Asymmetric deg	Asymmetric	87 %	2.100	-
XP-E	Asymmetric deg	Asymmetric	89 %	2.400	-
XP-E2	asymmetric deg	Asymmetric	91 %	2.400	-
LUXEON Rebel	Asymmetric deg	Asymmetric	87 %	2.200	-
LUXEON R	Asymmetric deg	Asymmetric	88 %	2.000	-
LUXEON Rebel ES	Asymmetric deg	Asymmetric	88 %	2.000	-
LUXEON A	Asymmetric deg	Asymmetric	88 %	2.100	-
NCSxx19A	Asymmetric deg	Asymmetric	86 %	2.000	-
NF2x757A	Asymmetric deg	Asymmetric	88 %	1.900	-
NVSxx19A	Asymmetric deg	Asymmetric	85 %	1.900	-
NF2x757G	sim: Asymmetric	Asymmetric	sim: 94 %	sim: 2.100	-
Oslon SSL 150	Asymmetric deg	Asymmetric	88 %	2.700	-
Oslon SSL 80	Asymmetric deg	Asymmetric	88 %	2.100	-
Duris S5 (2 chip)	asymmetric deg	Asymmetric	87 %	2.000	-

D

C

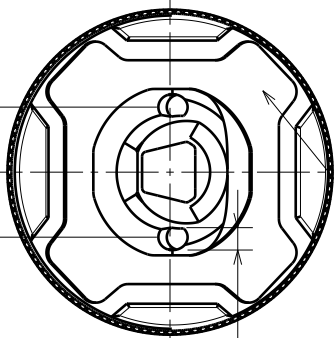
B

A

4

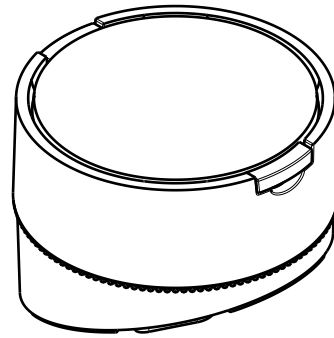
4

8.6



1.48

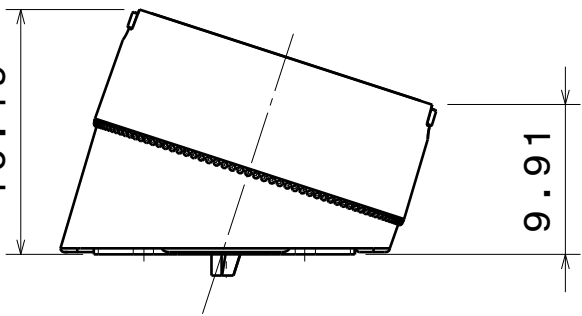
Tape 0,4 mm



3

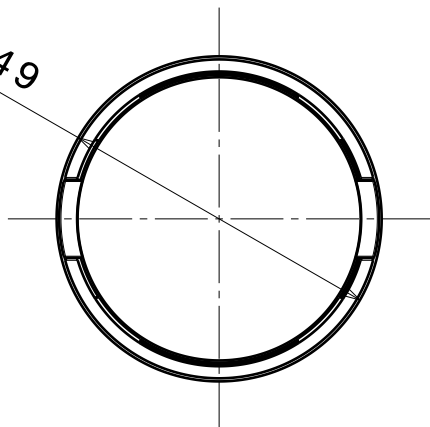
3

16.19



9.91

∅21.49



2

2

1

1

Tolerances if not otherwise shown
 According to DIN ISO 2768-1
 Linear measures:
 Up to 30mm class M, otherwise class C.
 According to DIN ISO 2768-2
 Form and position: class L

LEDiL Ledil Oy
 Salorankatu 10
 FIN 24240 SALO
 Finland

THIRD ANGLE PROJECTION:

DRAWING TITLE
BILLIE datasheet

This drawing is the property of LEDiL Oy. It may not be reproduced, copied or communicated without a written agreement with LEDiL Oy."

SIZE	PART NUMBER	
A4		

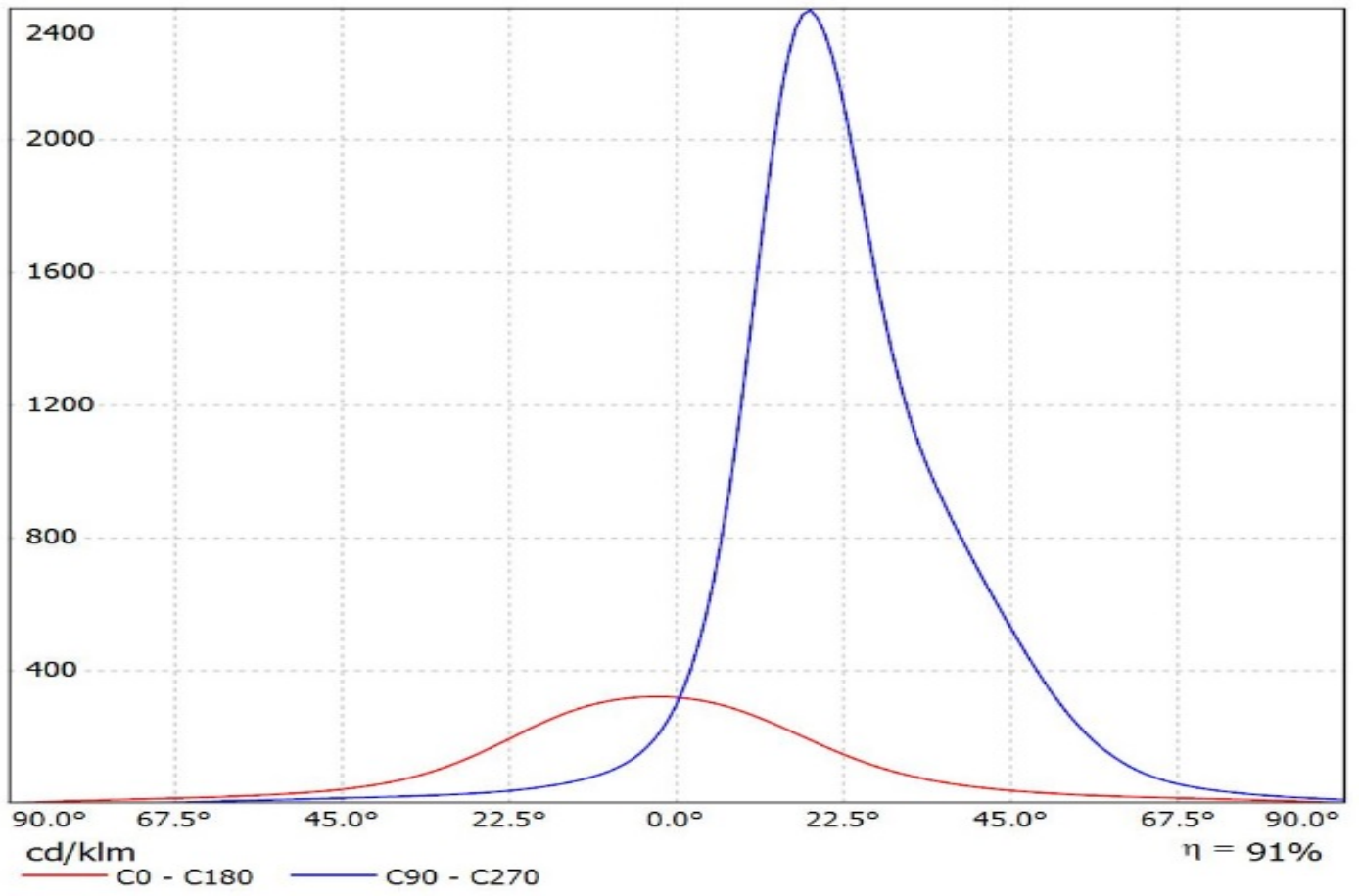
SCALE	2:1	WEIGHT	-	SHEET	1/1
-------	-----	--------	---	-------	-----

D

A

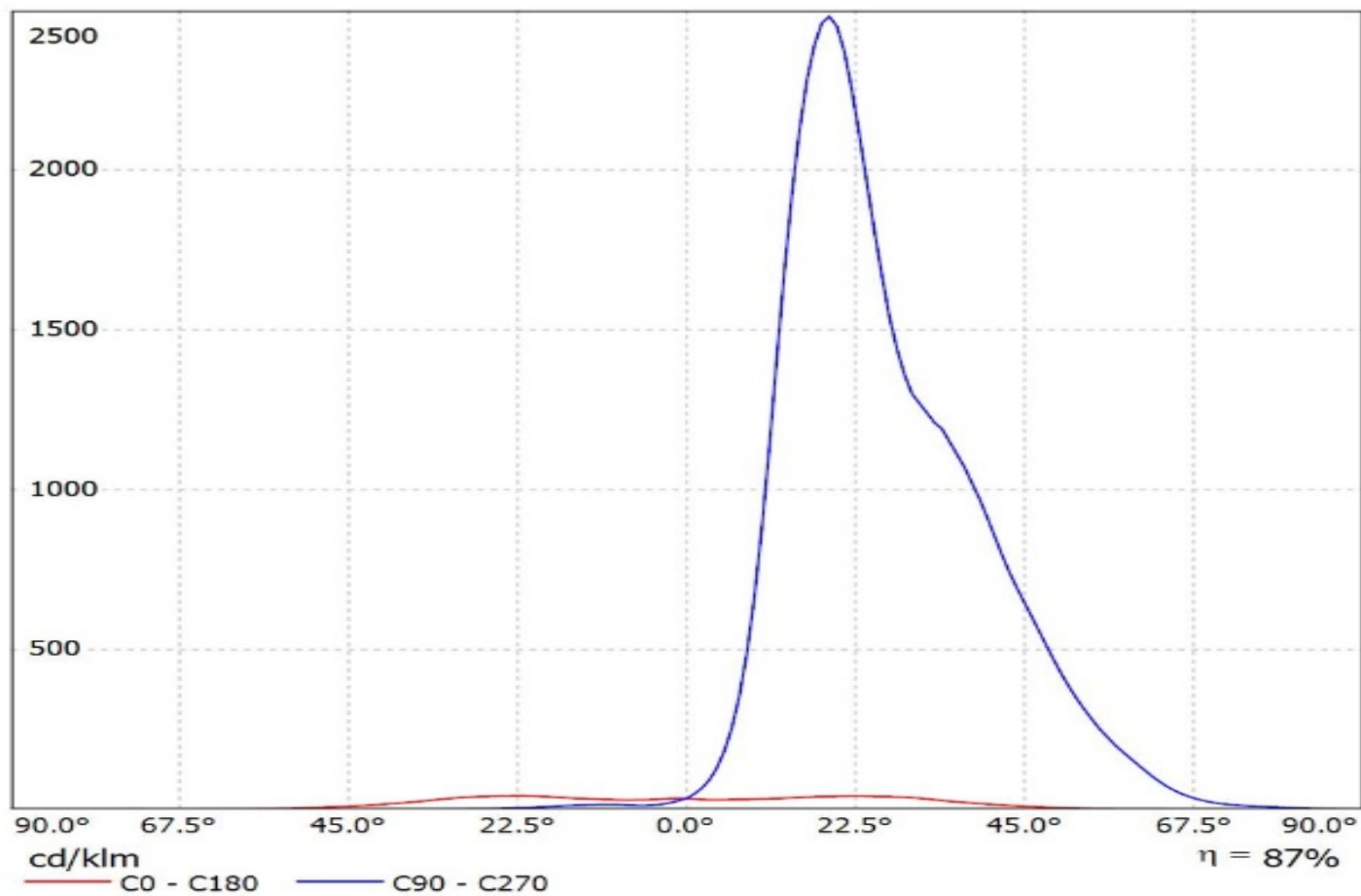
Luminaire: Ledil FN13888 BILLIE-A (XP-E2)

Lamps: 1 x CREE_XP-E2_(XPEBWT-L1-7B4-Q4-0-01)_Im@250mA_CCT=3194K_P=0.765725W_I=0.25A

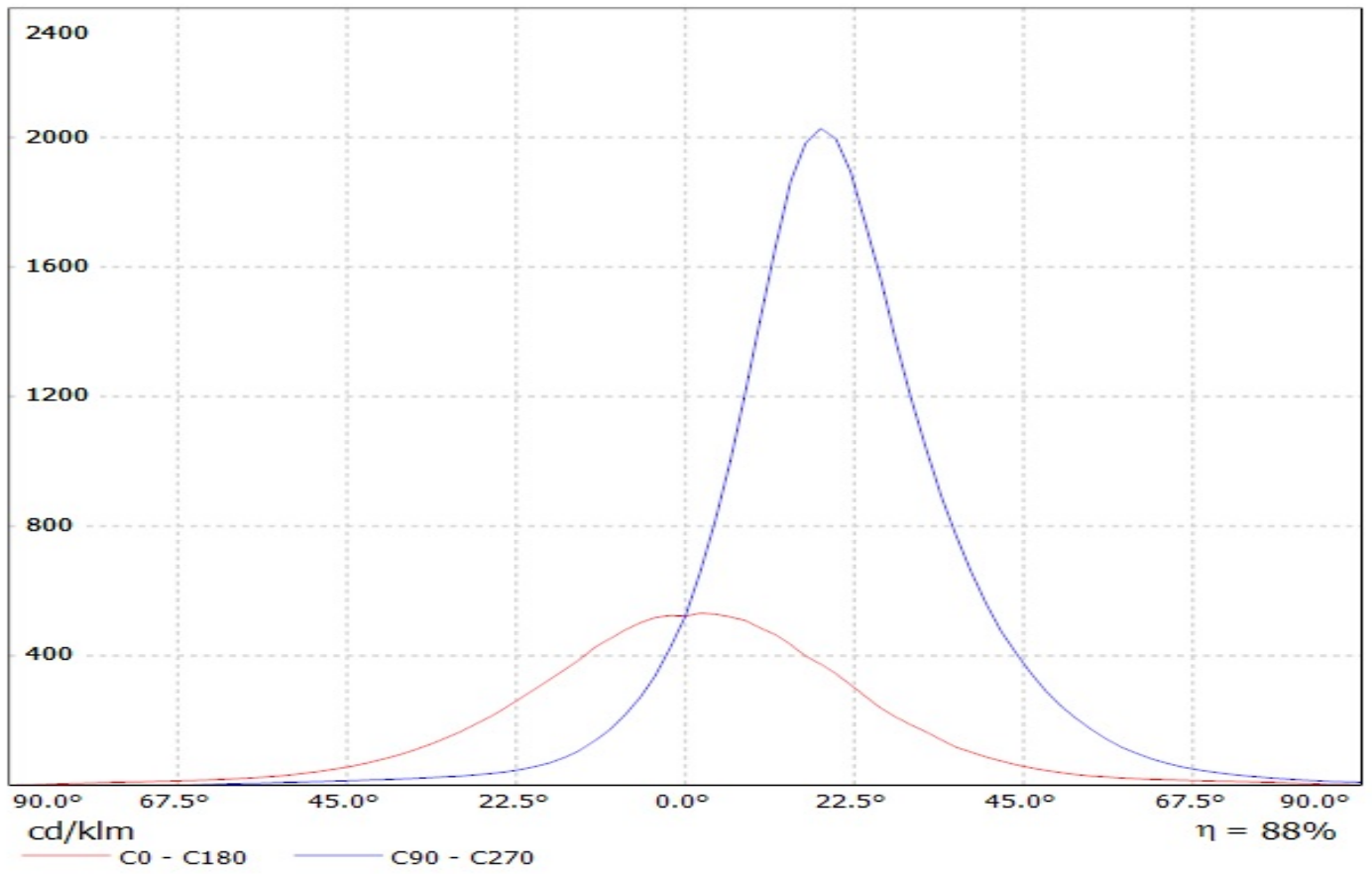


Luminaire: Ledil Oy FN13888_BILLIE-A-OSL80_SIMULATED

Lamps: 1 x Osram OSL80

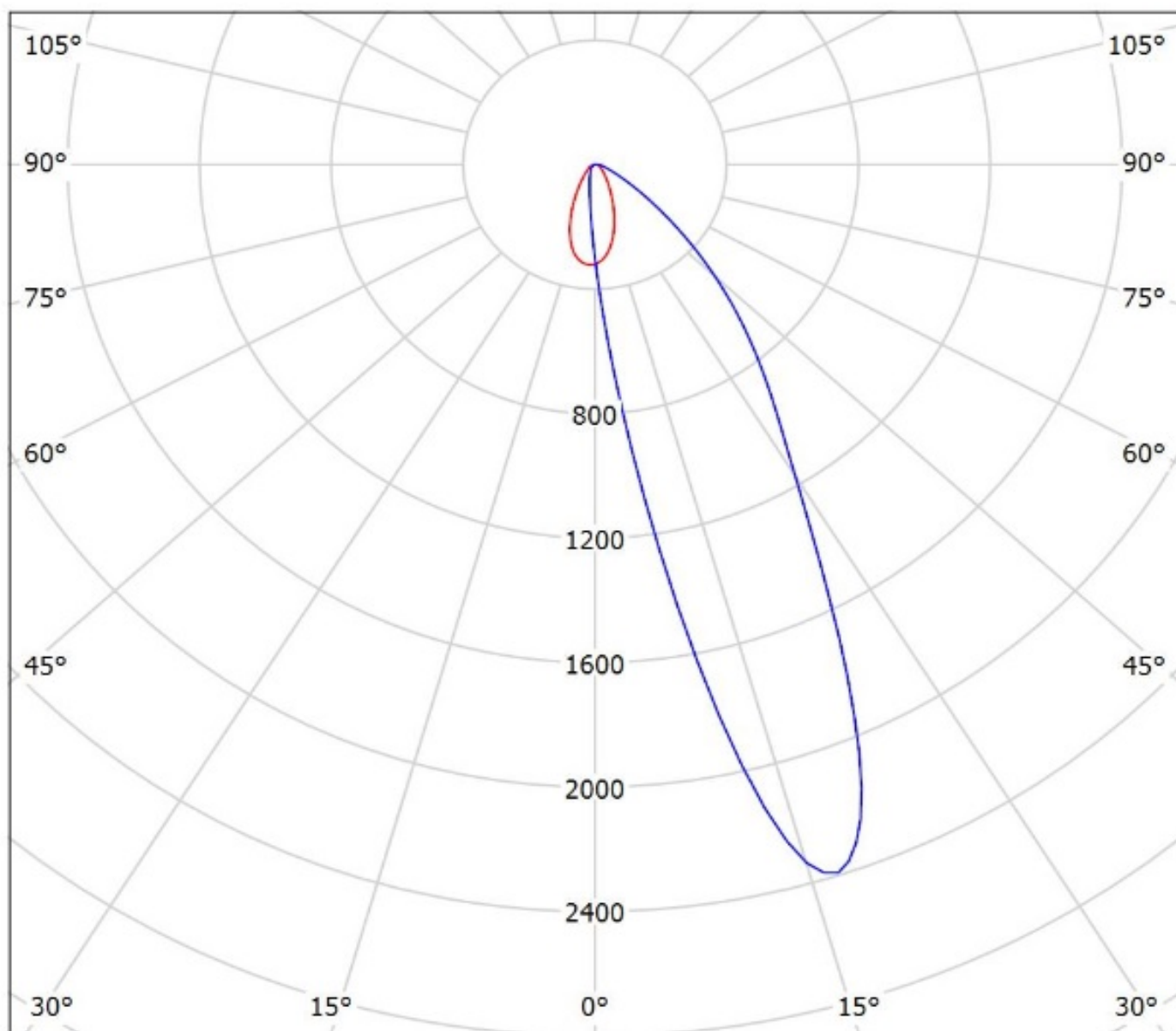


Luminaire: LEDil Oy FN13888 BILLIE-A (DURIS_S5) Efficiency=87%
Lamps: 1 x Osram Duris S5 (GW PSLPS1.EC) 102lm @ 150mA CCT=6300K P=1.0W I=150mA



Luminaire: Ledil FN13888_BILLIE-A (XP-E2)

Lamps: 1 x CREE_XP-E2_(XPEBWT-L1-7B4-Q4-0-01)_Im@250mA_CCT=3194K_P=0.765725W_I=0.25A

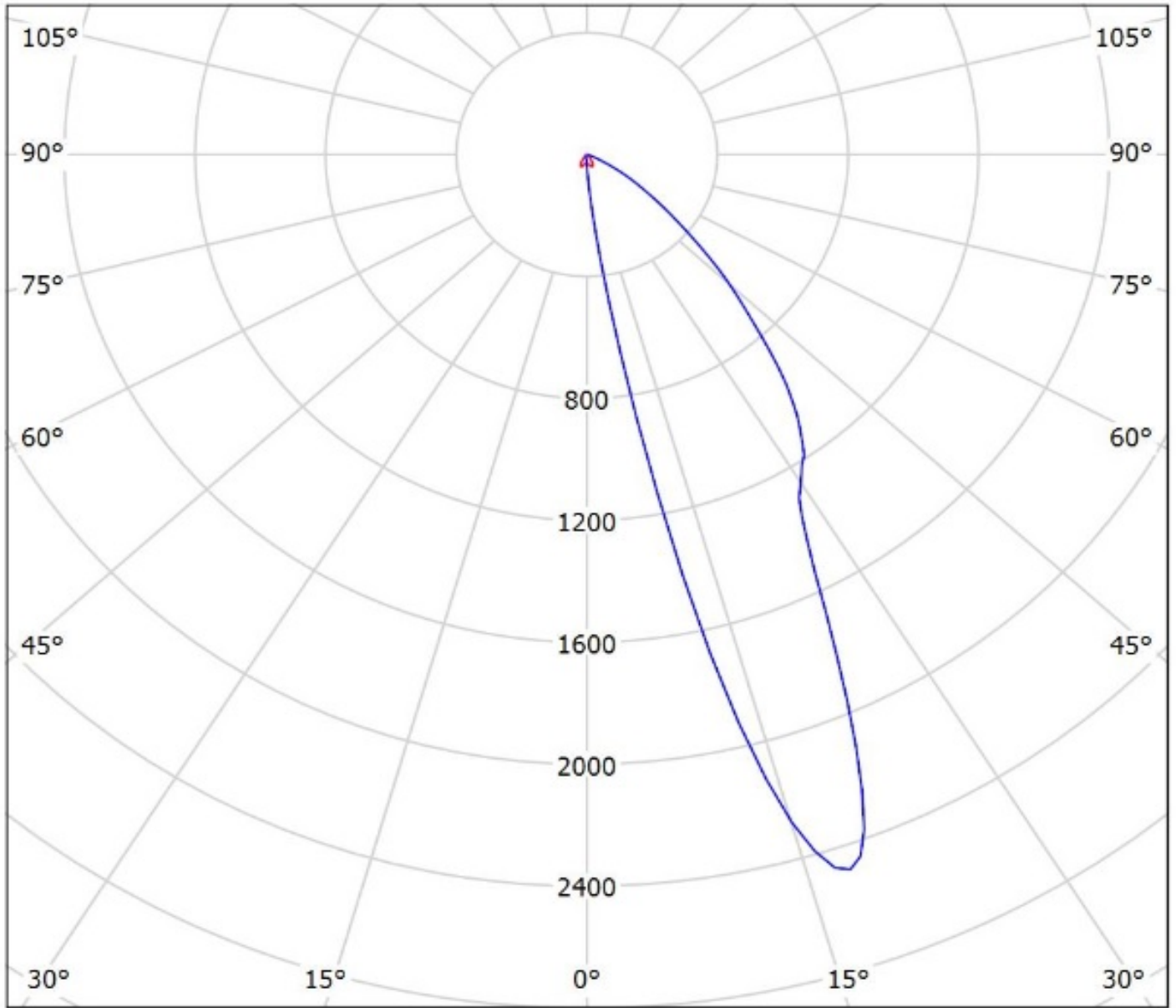


cd/klm

— C0 - C180 — C90 - C270

$\eta = 91\%$

Luminaire: Ledil Oy FN13888_BILLIE-A-OSL80_SIMULATED
Lamps: 1 x Osram OSL80



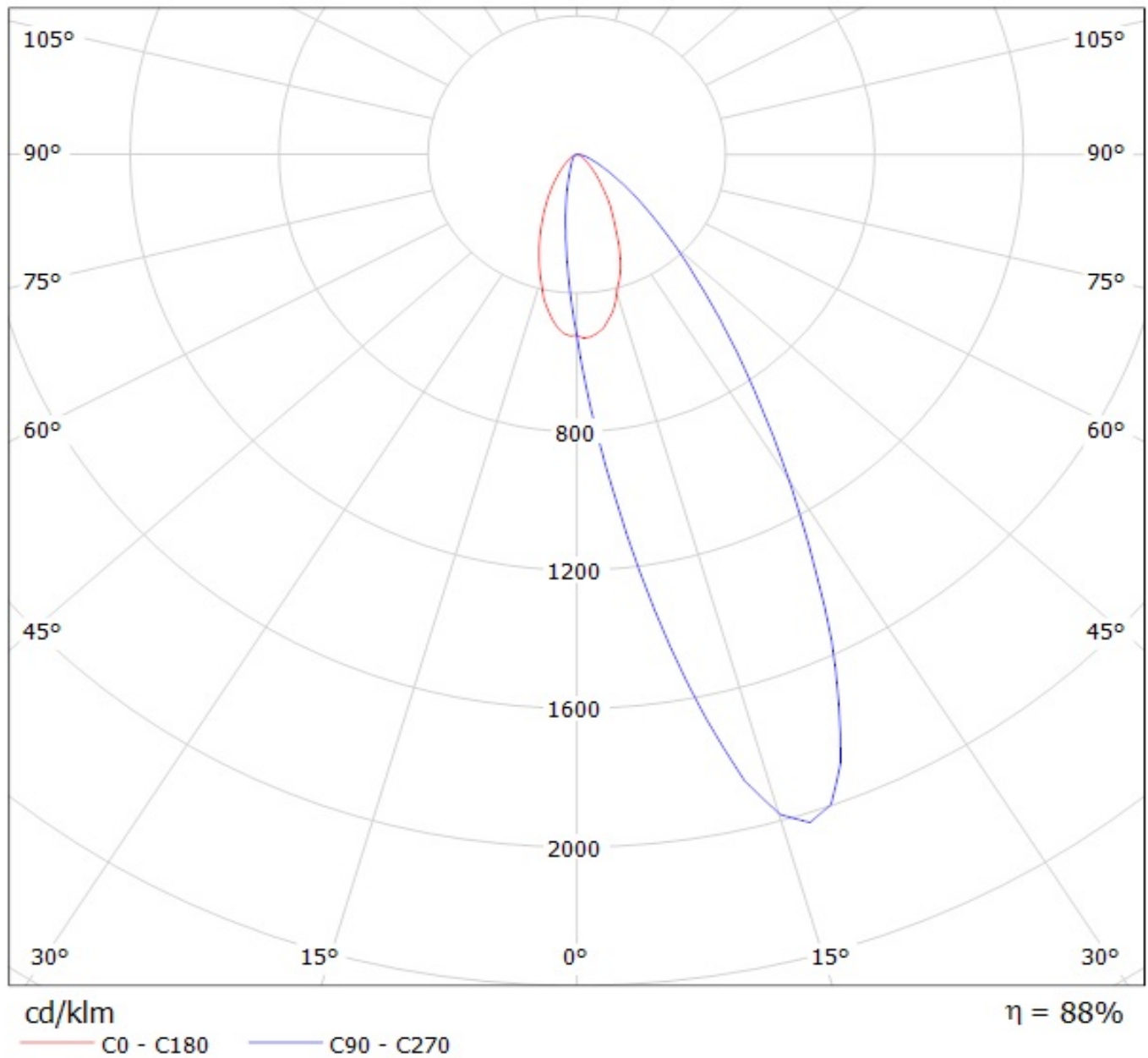
cd/klm

— C0 - C180 — C90 - C270

$\eta = 87\%$

Luminaire: LEDil Oy FN13888_BILLIE-A_(DURIS_S5) Efficiency=87%

Lamps: 1 x Osram Duris S5 (GW PSLPS1.EC) 102lm @ 150mA CCT=6300K P=1.0W I=150mA



NOTE: The typical divergence will be changed by different color, chip size and chip position tolerance. The typical total divergence is the full angle measured where the luminous intensity is half of the peak value.