

1 2 3 4 5 6 7 8

A

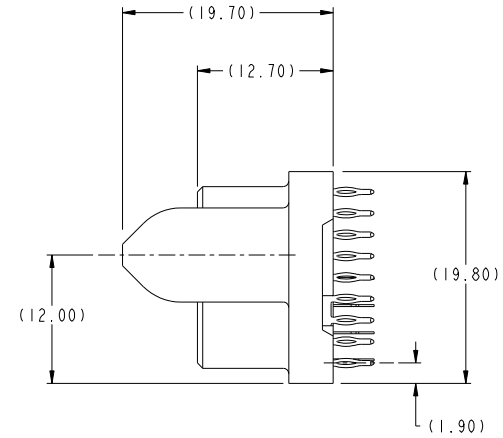
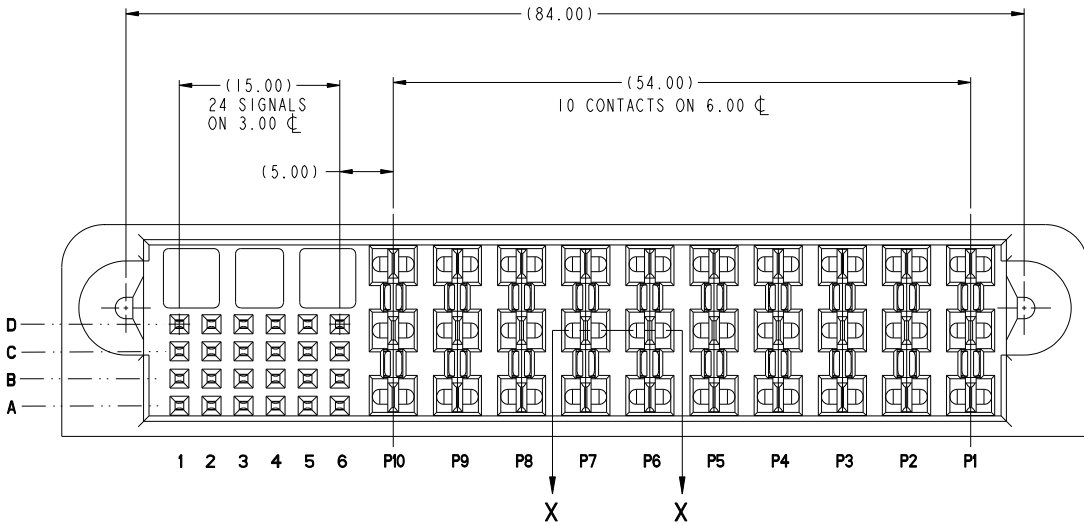
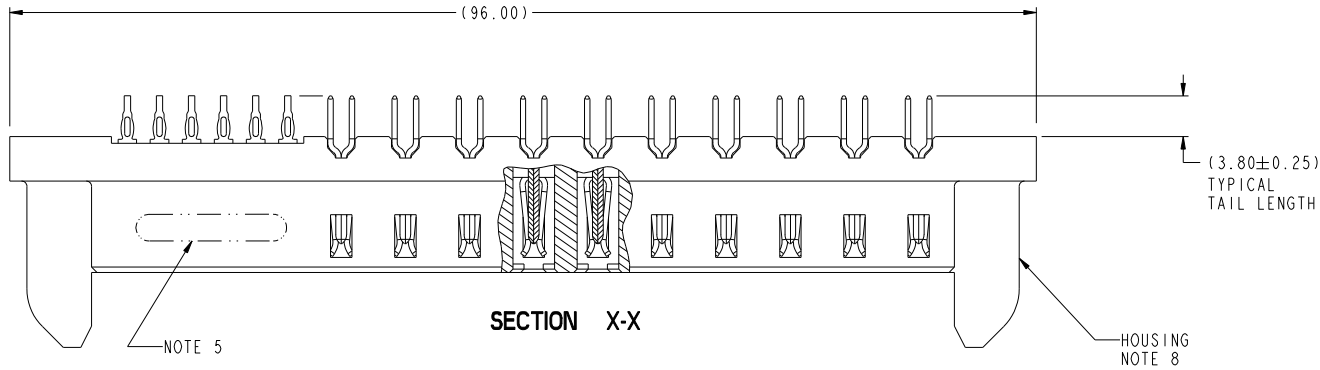
B

C

D

E

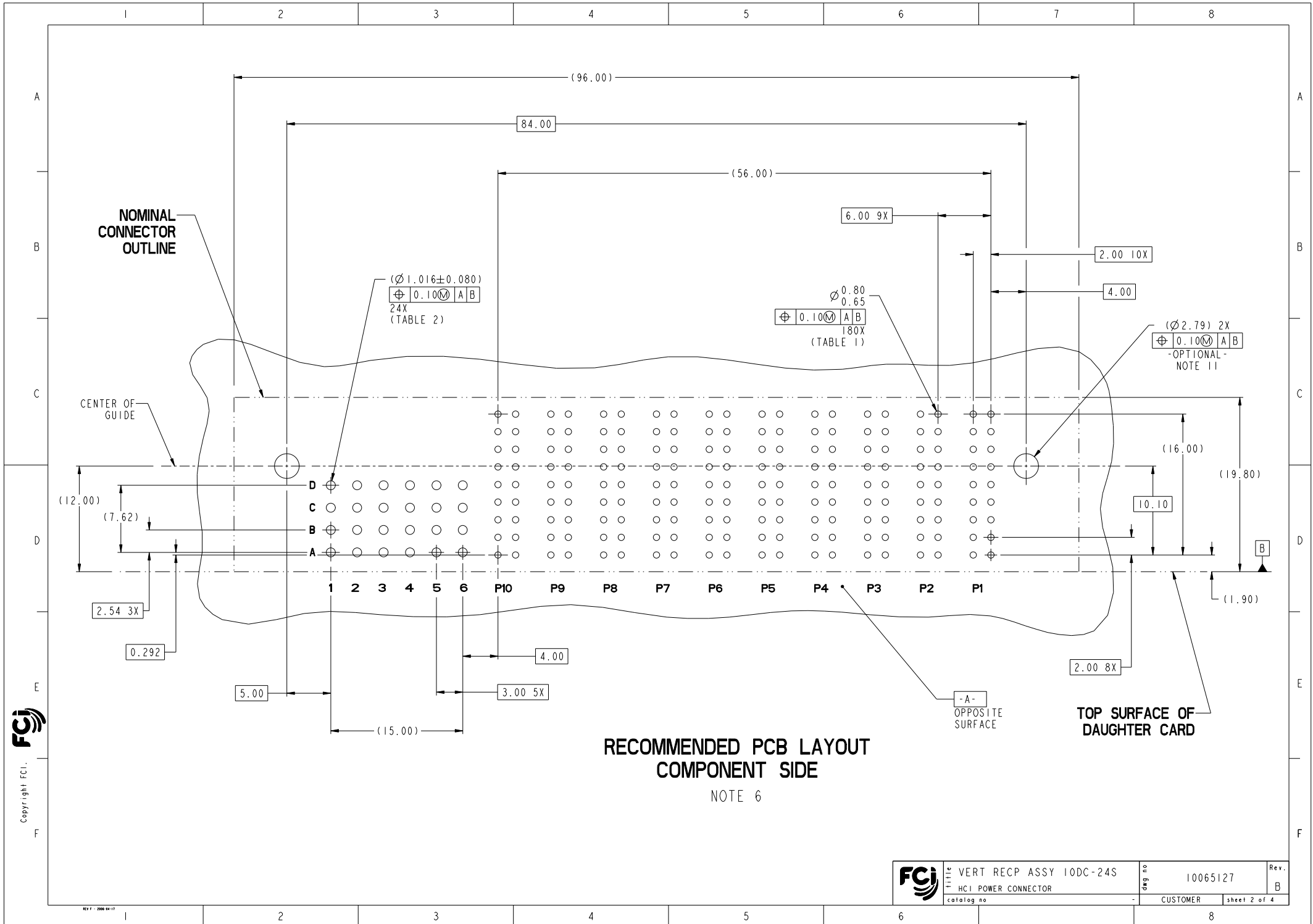
F



Copyright FCI.
FCI

rev	ecr no	dr	date
A	V08-0243	TH	2008-06-03
B	0609-0193	WD	2009-06-17
-	-	-	-
-	-	-	-
-	-	-	-
-	-	-	-

www.fciconnect.com		surface ASME Y14.5	tolerance std ASME Y14.5	projection ASME Y14.5	MM
TOLERANCES UNLESS OTHERWISE SPECIFIED					
Dr	T. HOUTZ	2007-02-28	ANGULAR	0.X	±.3
Eng	H. NGO	2007-02-28	LINEAR	0.XX	±.10
Chr	H. NGO	2007-02-28	0°	±2"	±.050
Appr	H. NGO	2007-02-28	Product family	-	ECN
FCI				size	A2
VERT RECP ASSY 10DC-24S				Spec ref	-
HCl POWER CONNECTOR				deg no	10065127
catalog no				CUSTOMER	sheet 1 of 4



RECOMMENDED PCB LAYOUT
COMPONENT SIDE

NOTE 6

Copyright FCI.
FCI

	TITLE	VERT RECP ASSY 10DC-24S	deg no	10065127	Rev.	B
	CATALOG NO	HCI POWER CONNECTOR	CUSTOMER	sheet 2 of 4		

PDM: Rev:B

STATUS: Released

Printed: Dec 18, 2010

1 2 3 4 5 6 7 8

A

B

C

D

E

F

A

B

C

D

E

F

TOP LAYER DESCRIPTION	TABLE 1 (HCI POWER) PLATED THROUGH-HOLE REQUIREMENTS							
	DRILLED HOLE DIAMETER	COPPER THICKNESS	TIN-LEAD THICKNESS	NICKEL THICKNESS	GOLD THICKNESS	TIN THICKNESS	SILVER THICKNESS	FINISHED HOLE DIAMETER
TIN-LEAD	0.81-0.86 (0.85 DRILL)	0.025 - 0.050	0.005 - 0.015	--	--	--	--	0.65 - 0.80
IMMERSION TIN	0.81-0.86 (0.85 DRILL)	0.025 - 0.050	--	--	--	0.9 - 1.5um	--	0.70 - 0.80
IMMERSION SILVER	0.81-0.86 (0.85 DRILL)	0.025 - 0.050	--	--	--	--	0.15 - 0.65um	0.70 - 0.80
COPPER (SEE NOTE 9)	0.81-0.86 (0.85 DRILL)	0.025 - 0.050	--	--	--	--	--	0.70 - 0.80
GOLD	0.81-0.86 (0.85 DRILL)	0.025 - 0.050	--	0.003 - 0.007	FLASH UP TO 0.0002	--	--	0.69 - 0.80

TOP LAYER DESCRIPTION	TABLE 2 (HPC SIGNALS) PLATED THROUGH-HOLE REQUIREMENTS							
	DRILLED HOLE DIAMETER	COPPER THICKNESS	TIN-LEAD THICKNESS	NICKEL THICKNESS	GOLD THICKNESS	TIN THICKNESS	SILVER THICKNESS	FINISHED HOLE DIAMETER
TIN-LEAD	1.125-1.175 ($\varnothing .0453 \pm .0010$)	0.025-0.050	0.005-0.015	--	--	--	--	0.94 - 1.10 ($\varnothing .040 \pm .003$)
IMMERSION TIN			--	--	--	--	--	
IMMERSION SILVER			--	--	--	--	--	
COPPER (SEE NOTE 9)			--	--	--	--	--	
GOLD			--	--	--	--	--	

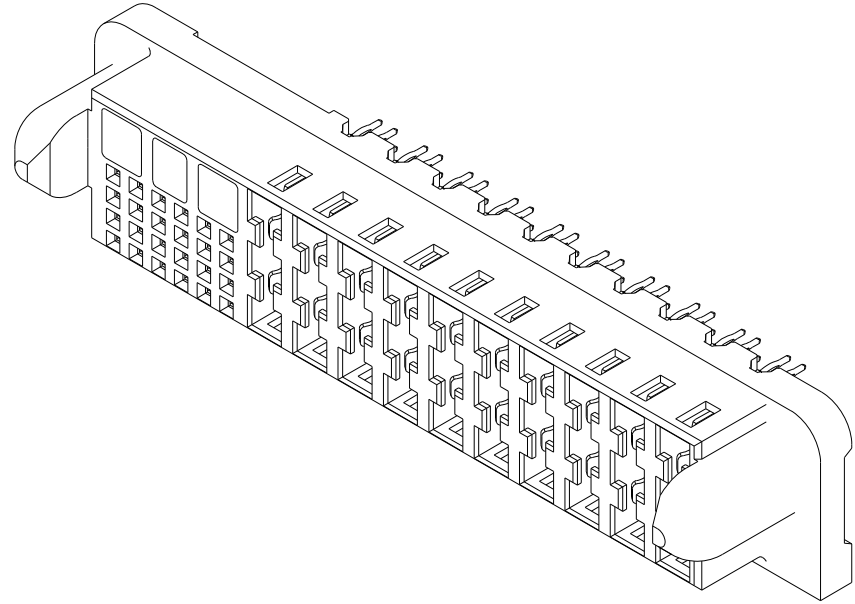
Copyright FCJ
FCJ

FCJ	TITLE	VERT RECP ASSY 10DC-24S	deg no	10065127	Rev.	B
	CATALOG NO			CUSTOMER		sheet 3 of 4

REV. F - 2008-01-17

1 2 3 4 5 6 7 8

PART NUMBER	M2.5 SCREW NOTE 11	TAIL PLATING	TAIL TYPE
10065127-001	OPTIONAL	SnPb	PRESS-FIT
10065127-001LF	OPTIONAL	Sn	PRESS-FIT



NOTES:

1. CONNECTOR MATERIALS:
HOUSING: HIGH TEMPERATURE THERMOPLASTIC, BLACK
UL 94V-0 COMPLIANT
CONTACTS: HIGH PERFORMANCE COPPER ALLOY
2. CONTACT FINISH (ref GS-12-380 SECTION 5.2)
3. PRODUCT SPECIFICATION: GS-12-380.
4. APPLICATION SPECIFICATION: GS-20-070.
5. PRODUCT MARKING (PRODUCT NUMBER & DATE CODE) ON HOUSING IN AREA SHOWN.
6. MINIMUM NOMINAL PCB THICKNESS: 1.6mm
7. PACKAGING MEETS FCI SPECIFICATION GS-14-1073.
8. HOUSING COMPONENT WILL WITHSTAND EXPOSURE TO 260°C PEAK TEMPERATURE FOR 60 SECONDS IN A CONVECTION, INFRA-RED, OR VAPOR PHASE REFLOW OVEN.
9. COPPER PLATING THICKNESS IN CENTER OF VIA-HOLE CAN BE NO MORE THAN 0.003 LESS THAN OTHER AREAS.
10. ALL HOLE SIZES ARE FINISHED HOLE SIZES.
11. RECOMMENDED RETENTION TO PCB:
Ø0.110[2.79] THRU HOLE (UNPLATED) FOR M2.5 SELF THREADING SCREW, MAX HEAD Ø0.177[4.50].
RECOMMENDED SCREW LENGTH 0.276[7.00] + PCB THICKNESS.
RECOMMENDED SCREW SEATING TO PCB TORQUE: 2-5 lbf-in (2300-5760 gf-cm).

Copyright FCI.

FCI	title	VERT RECP ASSY 10DC-24S	Rev.	B
	catalog no	HCI POWER CONNECTOR	customer	sheet 4 of 4
	deg no	10065127		