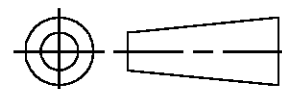


DO NOT SCALE  
DIMENSIONS IN mm

METRIC

THIRD ANGLE  
PROJECTION



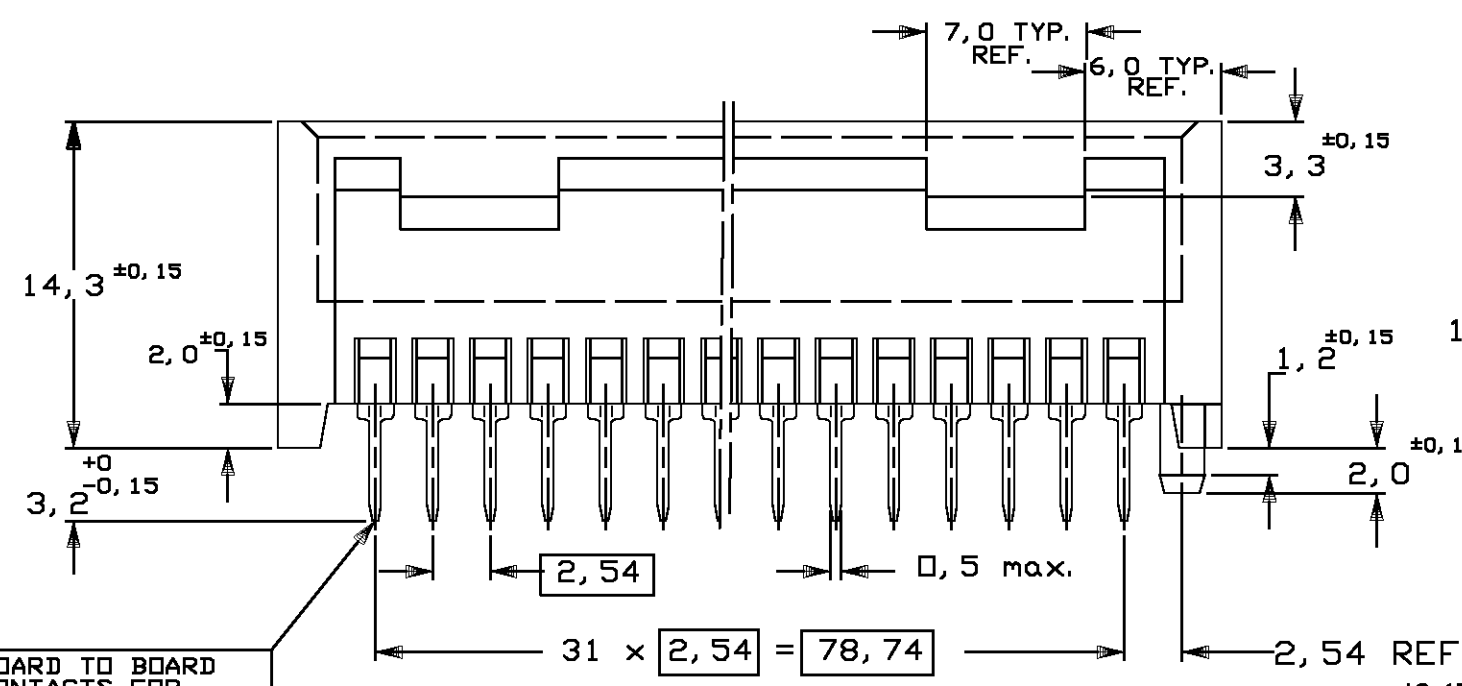
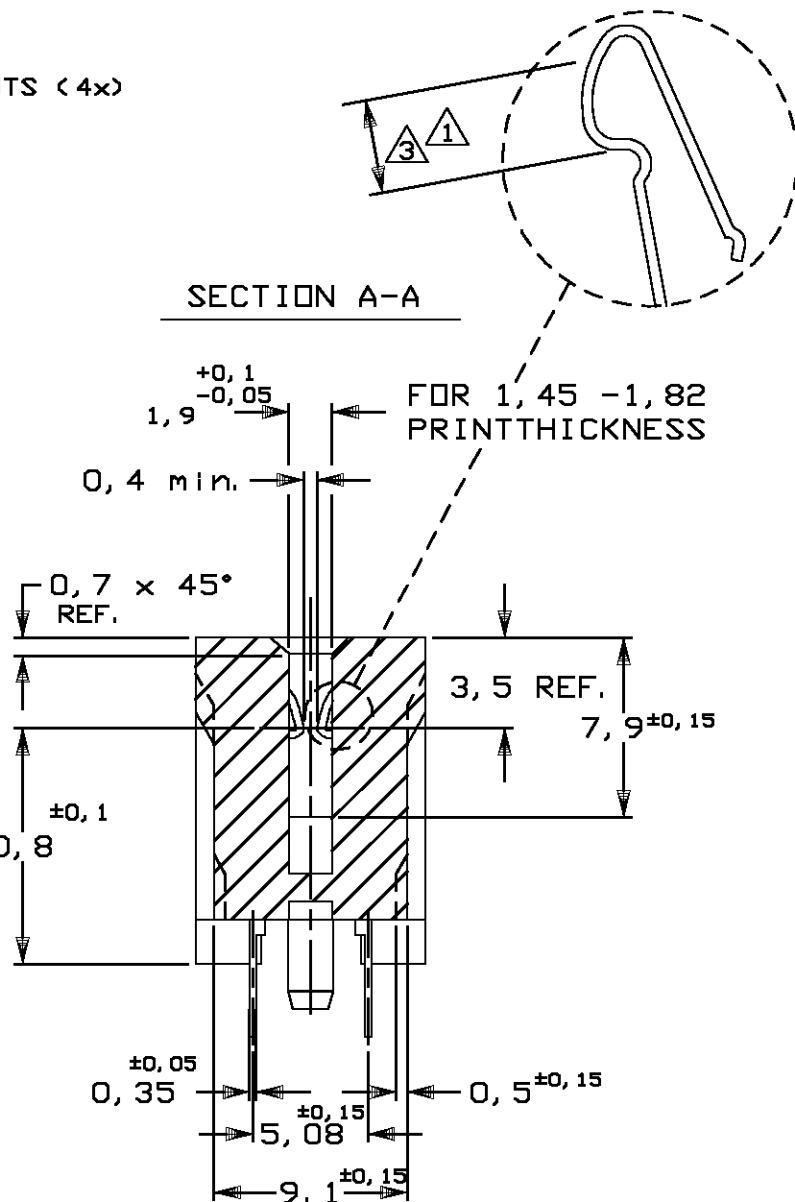
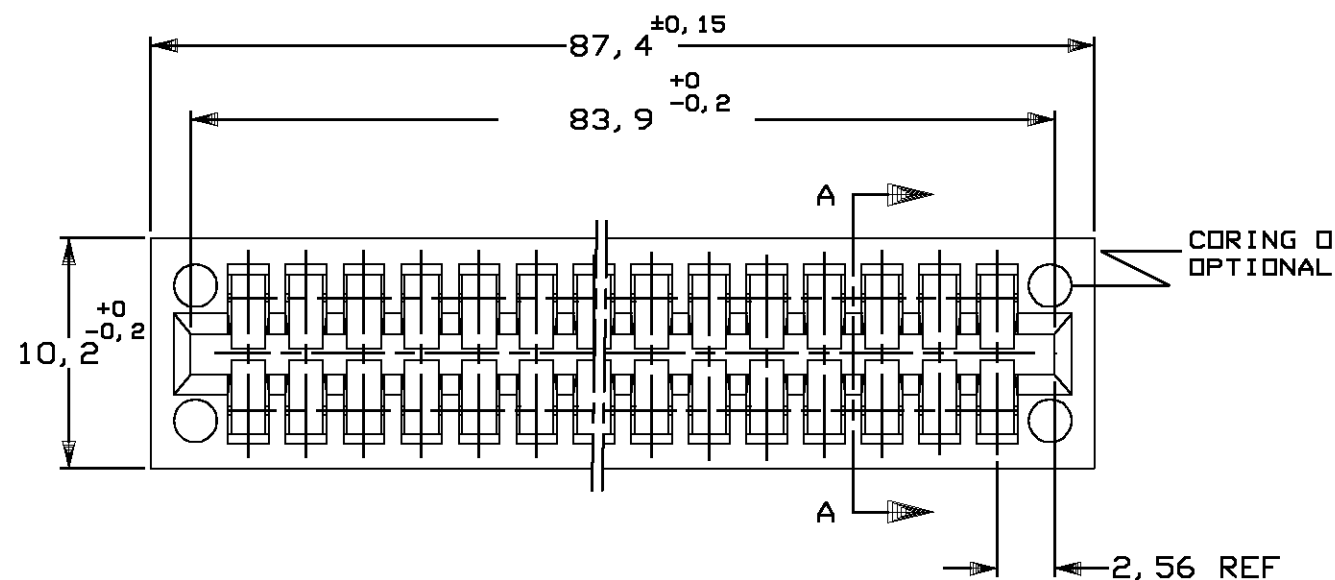
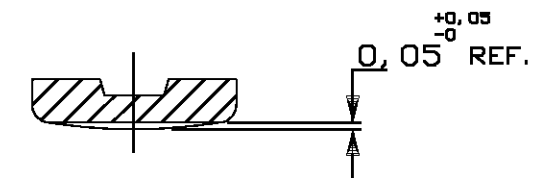
NOTES:

1 CONTACT AREA TO BE LUBRICATED WITH LUBRICATION (ELECTROLUBE 2X) MIN. 110mg/1000 CONTACTS MAX. 200mg/1000 CONTACTS

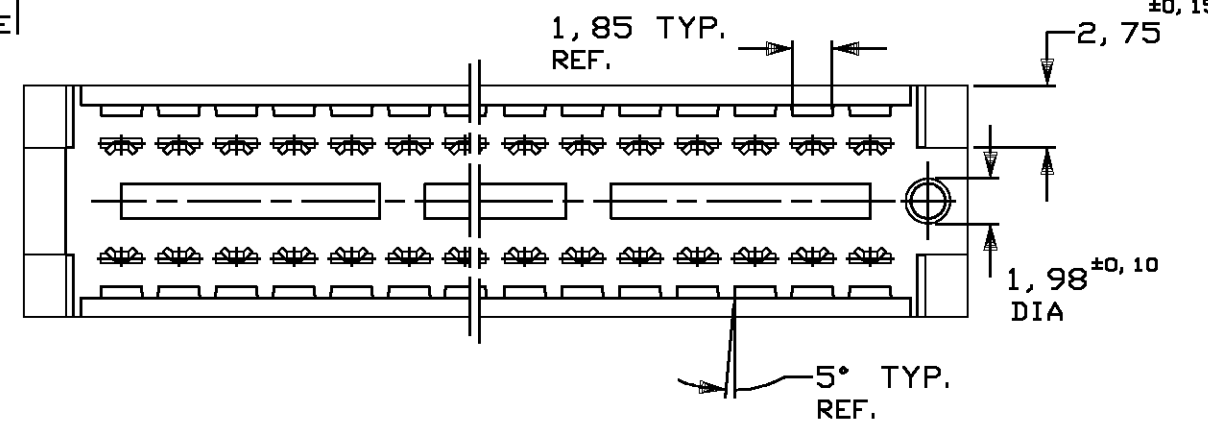
2. PACKAGING: ON PLASTIC TUBES, BOXED

3 CONTACT SPRING MUST HAVE SPHERICAL SHAPE IN THIS AREA, HOLLOW FORM NOT PERMITTED. SPHERICAL SHAPE DIM. AT CONTACT POINT AS DETAILED:

4. PRODUCT SPECIFICATION: 108-19043



BOARD TO BOARD CONTACTS FOR 0,8 MIN. DIA HOLE



CONTACT: TOTAL AREA 3,0µm MIN TIN OVER 1,25µm MIN NICKEL UNDERLAYER	HOUSING: THERMOPLASTIC POLYESTER 20% GLF UL 94V0 COLOUR: GREEN CONTACT: PH. BRONZE H06 (CuSn4)	3-100318-2
FINISH	MATERIAL	PART NUMBER

CUSTOMER DRAWING FOR REFERENCE ONLY WILL NOT BE UPDATED			
D2	ET00-0047-04	D. C.	C. T. 05MAR2004
D1	ET00-0115-03	D. C.	C. T. 04JUL2003
D	ET00-0068-03	P. B	D. C 09-05-03
C	H-9473	R. D.	N. S. 24-01-92
B	H-9302	R. D.	N. S. 19-12-91
A	H-9302	J. v. L	N. S. 07-11-91
LTR.	REVISION RECORD	DR.	CHK. DATE
DR.:	S. MEUWSEN.	CHK.:	N. SOUISA.
DATE:	27 MAR 1991	DATE:	07. 11. 91
APP.:	L. v. SOEST.	DATE:	25. 11. 91
DWG. No.	C-100318	REV. LTR.	D2
SHEET	1 OF 1	SIZE	A3