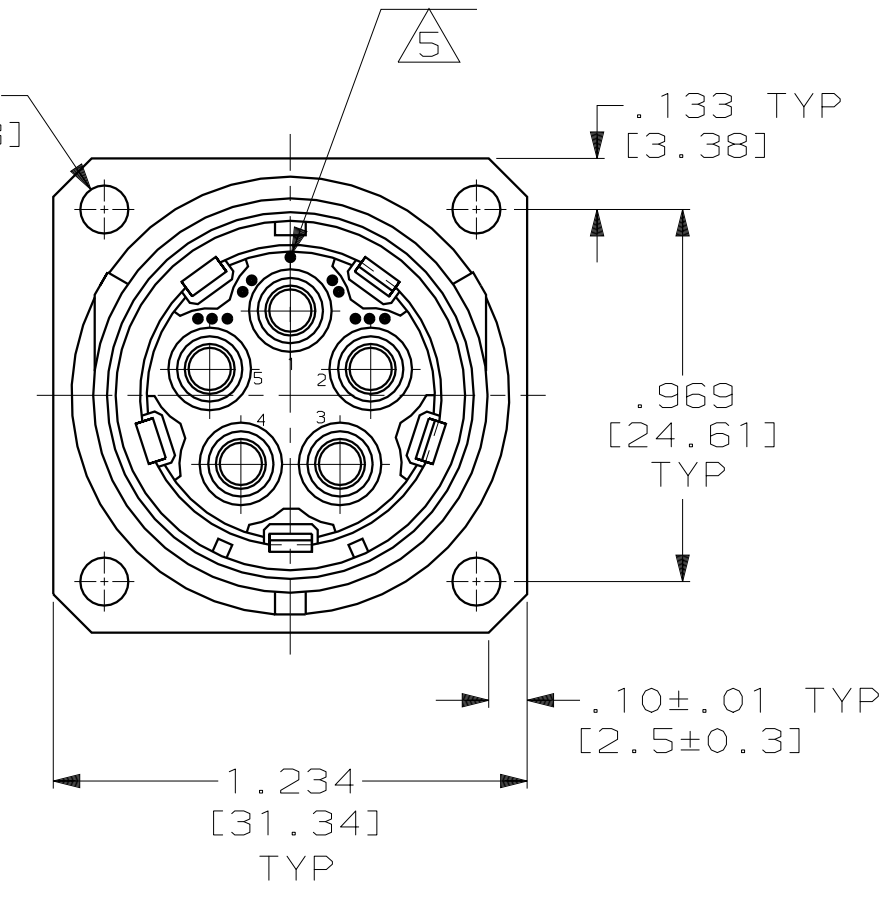
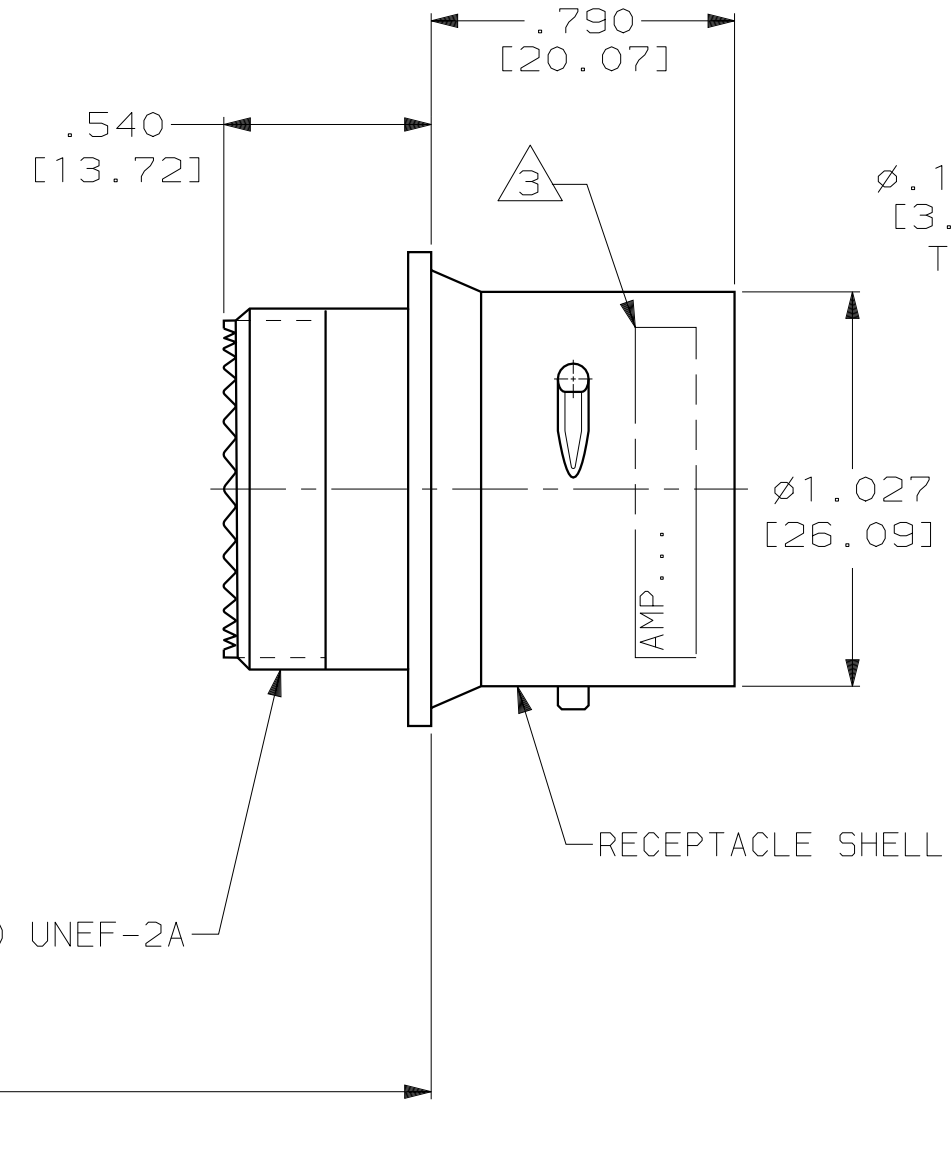
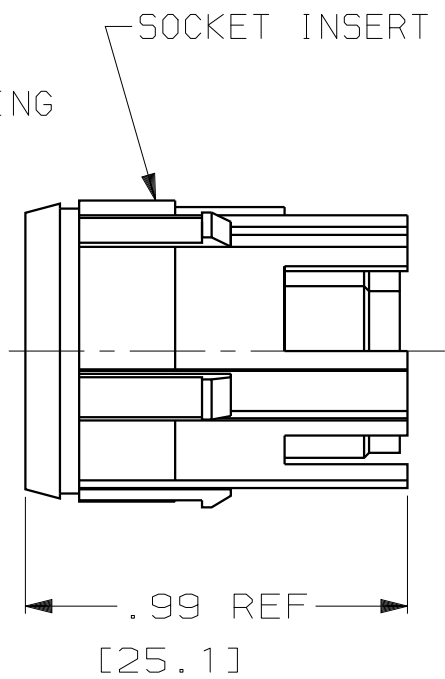
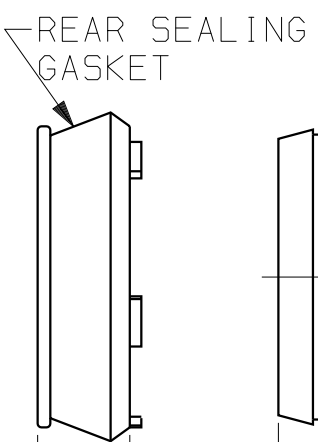
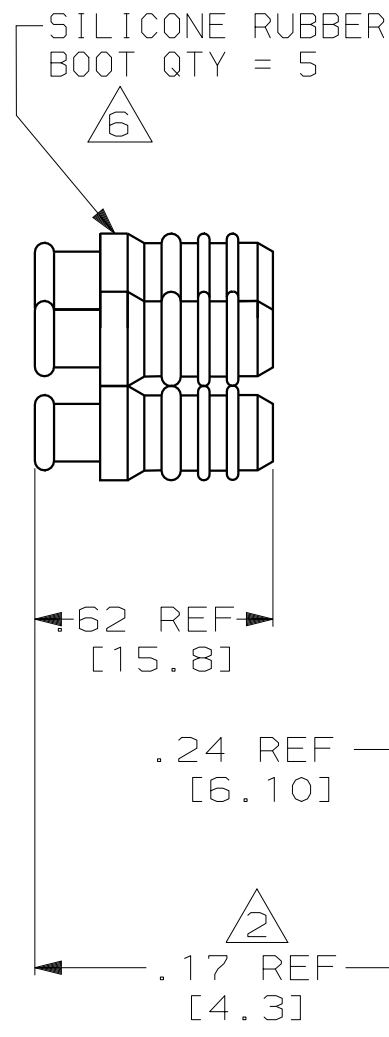
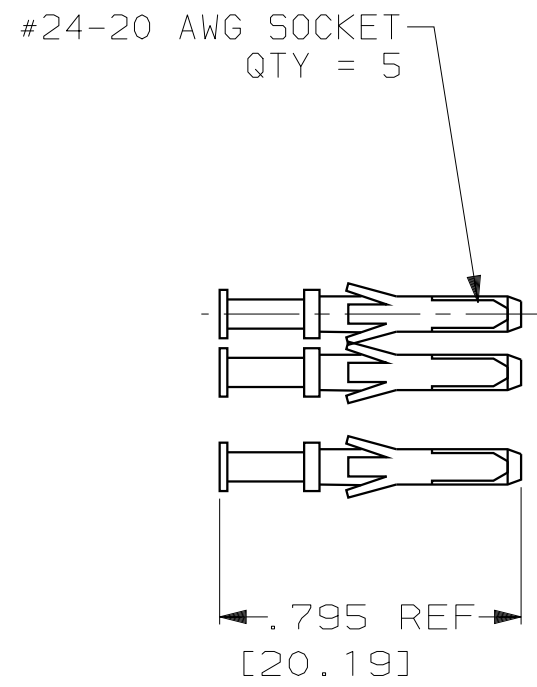


LOC	DIST	P	F	ZONE	LTR	DESCRIPTION	DATE	APPD	
DF	50				L	REV PER 0H14-0428-04	CT	7-04	DE



- THIS RECEPTACLE REQUIRES A SIZE 16 MIL-C-38999F BACKSHELL OR EQUIVALENT STRAIN RELIEF.
- THE INDICATED DIMENSIONS APPLY AFTER ASSEMBLY. COMPLETE OVERALL DIMENSIONS AFTER ASSEMBLY DEPEND UPON THE SPECIFIC BACKSHELL OR STRAIN RELIEF USED.
- MARKED PER MIL-STD-130 USING BLACK INK. .09 [2.3] HIGH CHARS FOR -1 ONLY. .060 [1.52] HIGH CHARS FOR ALL OTHER DASH NUMBERS. SEE TABLE FOR SPECIAL MARKING.
- TO ASSEMBLE SEE INSTRUCTION SHEET #864886-4.
- SINGLE DOT POLARIZATION SHOWN FOR REFERENCE ONLY.

	LARGE	(00779/AMP,864062-5) DATE CODE	-	864062-5
OBSOLETE	SMALL	(00779/AMP,864062-4) DATE CODE	49956-848285-5B REV M	864062-4
OBSOLETE	SMALL	(00779/AMP,864062-3) DATE CODE	49956-848285-5A REV M	864062-3
	SMALL	(00779/AMP,864062-2) DATE CODE	49956-848285-5 REV M	864062-2
	SMALL	(00779/AMP,864062-1) DATE CODE	-	864062-1
	BOOT SIZE	AMP INFO	CUSTOMER INFO	PART NO.

DO NOT SCALE PRINT. UNLESS SPECIFIED DIMENSIONS IN INCHES [mm] TOLERANCES ON : 2 PLC DEC ± .02 [0.5] 3 PLC DEC ± .010 [0.25] ANGLES ± -	DR 11-19-96 C.C.THOMAS CHK 11-26-96 C.SHELLY APPD 11-26-96 C.SHELLY RLSE 11-26-96 C.C.THOMAS	AMP Incorporated Harrisburg, PA 17105-3608 NAME RCPT KIT, 5 POSN., LGH		
MATERIAL	PRODUCT SPEC			
FINISH	APPLICATION SPEC	SIZE	CAGE CODE	DRAWING NO
		C	00779	C=864062
	WEIGHT	SCALE	2:1	SHEET 1 OF 1

THIS DRAWING IS A CONTROLLED DOCUMENT FOR AMP INCORPORATED. IT IS SUBJECT TO CHANGE AND THE CONTROLLING ENGINEERING ORGANIZATION SHOULD BE CONTACTED FOR THE LATEST REVISION.