

THIS DRAWING IS UNPUBLISHED. RELEASED FOR PUBLICATION
 © COPYRIGHT BY TYCO ELECTRONICS CORPORATION. ALL RIGHTS RESERVED.

LOC	DIST	REVISIONS			
P	LTR	DESCRIPTION	DATE	DWN	APVD
FT	0	A1	REVISED PER ECO-07-019785	8/22/07	SS SRY

- 1 MATERIAL: .020 COPPER ALLOY.
- 2 FINISH: BRIGHT TIN PLATE.
- 3 PRELIMINARY PART NUMBER.

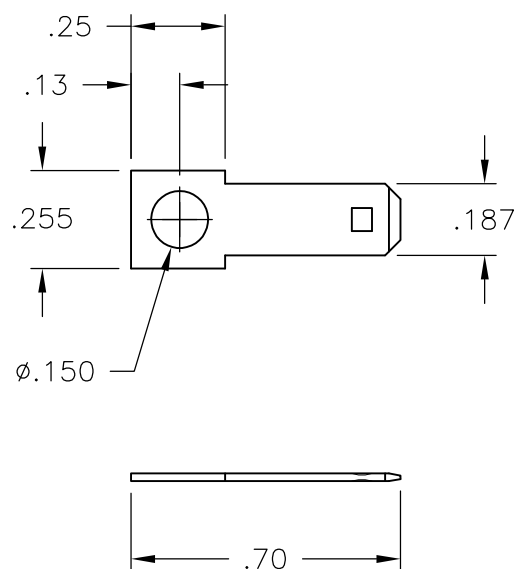


FIGURE 1

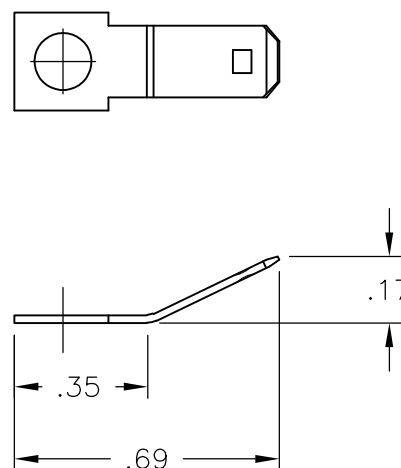


FIGURE 2

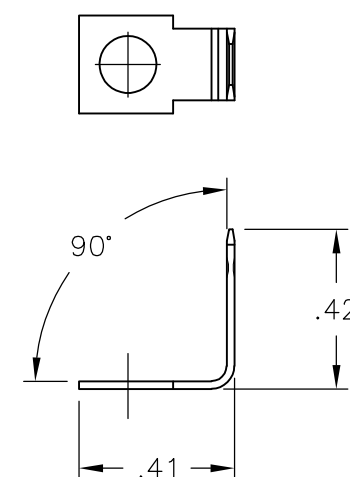


FIGURE 3

3	FIGURE 3	QC4-90-3	1776231-2
	FIGURE 1	QC4-180-3	5-1437644-7
	FIGURE 2	QC4-45-3	1776231-1
	FIGURE	CATALOG NO.	PART NO.

THIS DRAWING IS A CONTROLLED DOCUMENT.		DWN S SCHLEGEL 17SEP04	Tyco Electronics Corporation Harrisburg, PA 17105-3608	
DIMENSIONS: INCHES	TOLERANCES UNLESS OTHERWISE SPECIFIED:	CHK S YODER 9/17/04	NAME .187 QC TAB, .325 BARRIER STRIP	
	0 PLC ± -	APVD S YODER 9/17/04	PRODUCT SPEC	
	1 PLC ± -	APPLICATION SPEC	-	
	2 PLC ± .01	SIZE	CAGE CODE	DRAWING NO
	3 PLC ± .005	---	A3	00779
	4 PLC ± -	WEIGHT	G-1776231	
	ANGLES ± 5°	---	SCALE	NTS
MATERIAL - 1	FINISH -	CUSTOMER DRAWING		SHEET 1 OF 1
				REV A1