

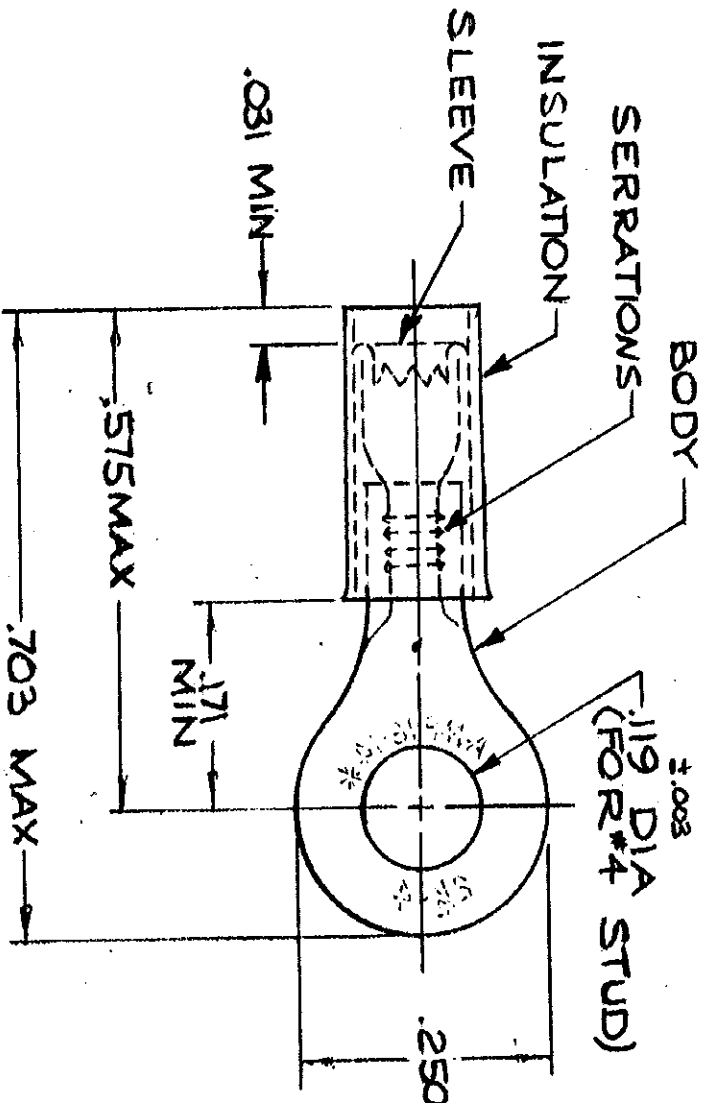
32441

DRAWING MADE IN AMERICAN PROJECTION

LOC 9  
PRINT DIST 14

© 1955 BY AMP INCORPORATED. ALL RIGHTS RESERVED. AMP PRODUCTS COVERED BY PATENTS AND/OR PATENTS PENDING.

REVISIONS			
LTR	DESCRIPTION	DATE	APPROVED
A	REDRAWN, REVISED TAP NO. R6079	8/22/70	FCY
B	OBsolete 2--1 PER G-3710	5/14/80	AG
C	REVISION PER G-3821	7/13/89	DKS / JST



1. FOR .115 TO .170 WIRE INSULATION DIA.  
TONGUE MATERIAL THK. = .031 ±.002  
2. FOREIGN PRODUCTION ONLY

QTY	DESCRIPTION	PART NO:	32441	2
1	ON TAPE WIRE TERMINAL	32441	OBsolete	2
1	32441	OBsolete		
<p>FOR .115 TO .170 WIRE INSULATION DIA. TONGUE MATERIAL THK. = .031 ±.002 2. FOREIGN PRODUCTION ONLY</p>				
MATERIAL		<p>BODY: COPPER (QQ-C-570) TIN PL (MIL-T-10727)</p> <p>SLEEVE: COPPER (QQ-C-570)</p> <p>INSULATION: PVC COLOR: BLUE</p> <p>MATERIAL &amp; FINISH</p>		
SEE TABLE		<p>AMP INCORPORATED HARRISBURG, PENNSYLVANIA</p>		
<p>DR. <i>[Signature]</i> 2-23-70</p> <p>CHK. <i>[Signature]</i> 8-22-70</p> <p>APP. <i>[Signature]</i> 8-22-70</p> <p>REL. <i>[Signature]</i> 8-22-70</p> <p>DSGN APPD</p> <p>OTHER APPD</p>		<p>NAME: WIRE TERMINAL</p> <p>P.I. D.G.-RING TONGUE</p> <p>WIRE SIZE: 16-A</p> <p>SIZE CODE IDENT NO. NUMBER</p> <p>A 00779 32441</p>		
SCALE: NTS		SHEET 1 OF 1		