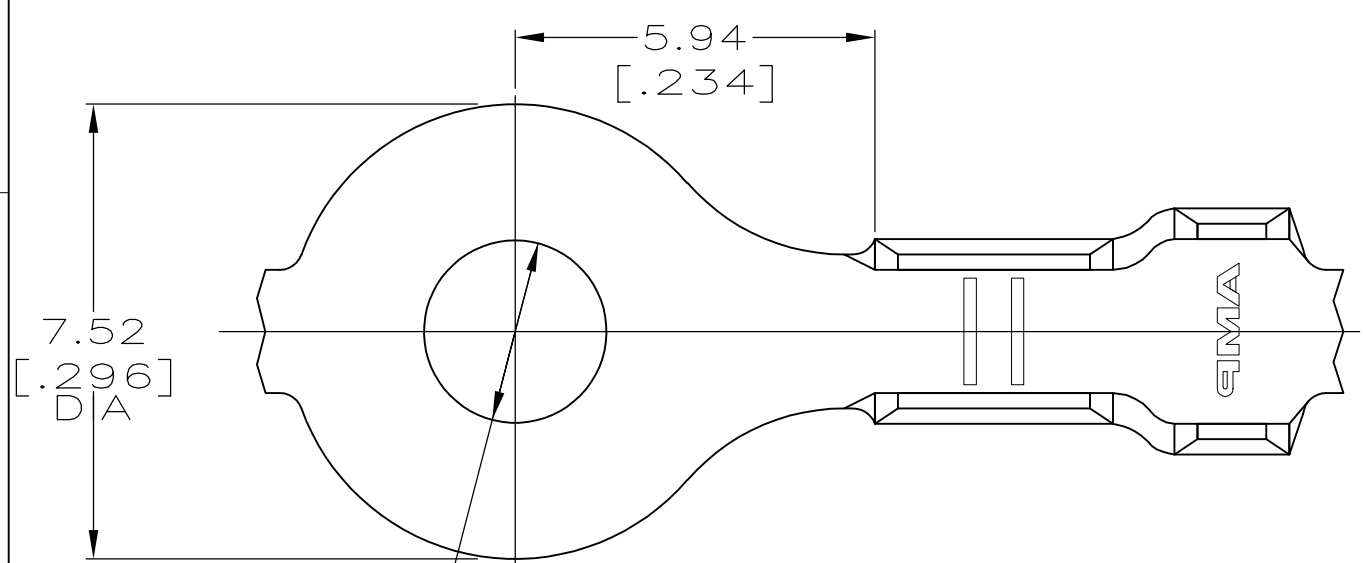
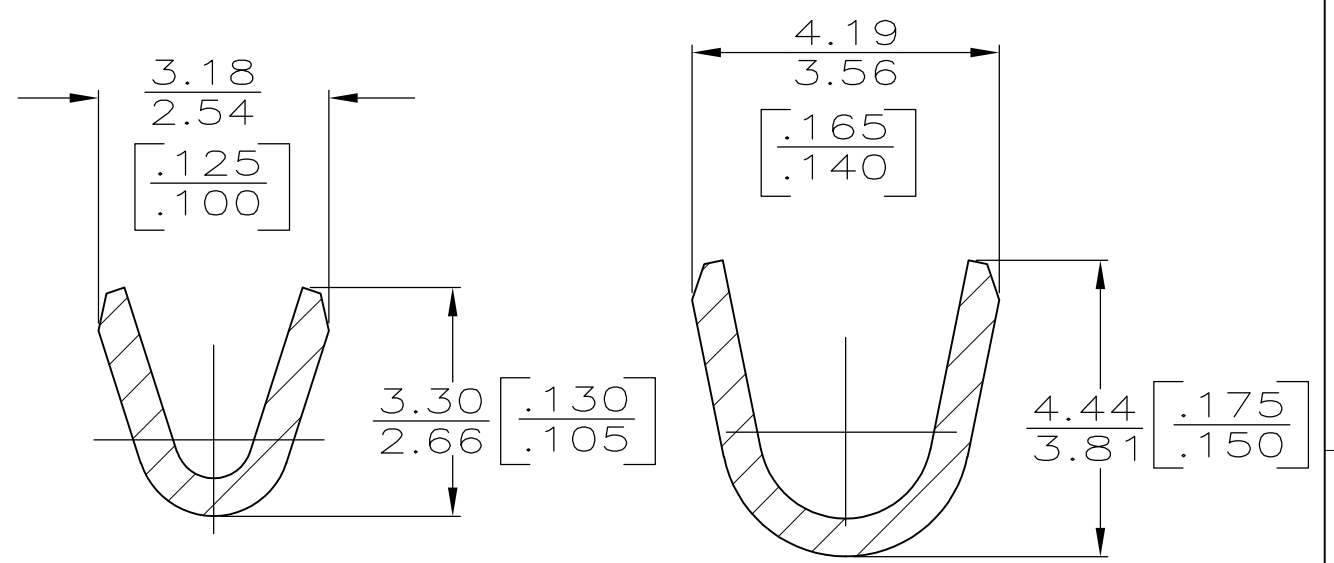


THIS DRAWING IS UNPUBLISHED. RELEASED FOR PUBLICATION
 © COPYRIGHT BY TYCO ELECTRONICS CORPORATION. ALL INTERNATIONAL RIGHTS RESERVED.

LOC	DIST	REVISIONS			
P	LTR	DESCRIPTION	DATE	DWN	APVD
AF	50	B	REVISED PER ECR-10-006099	09JUL10	HMR PD

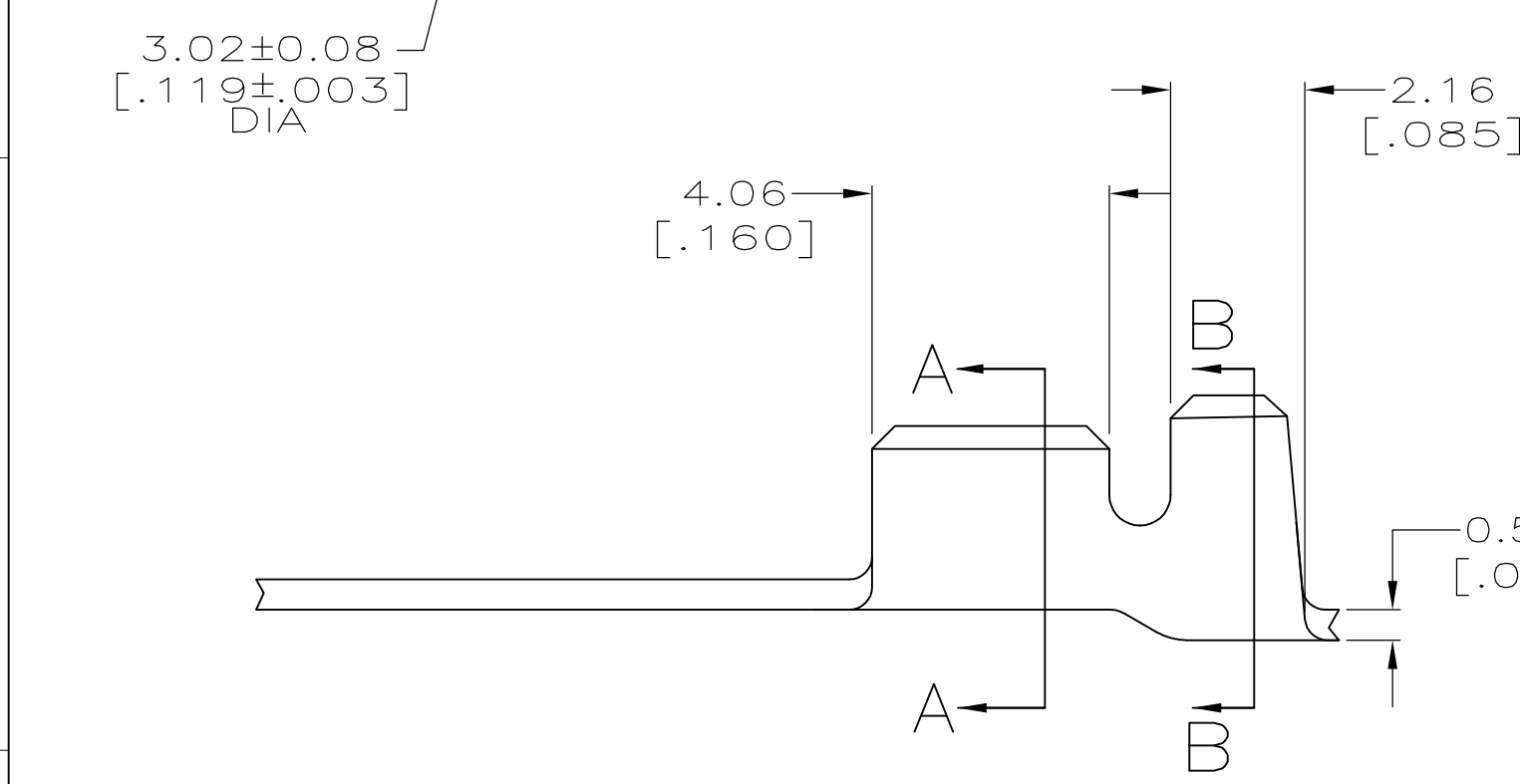


1 CONTINUOUS STRIP ON REEL.



SECTION A-A
SCALE 10:1

SECTION B-B
SCALE 10:1



2.03-2.79 [.080-.110] DIA	[22-18] AWG	63797-1
INSULATION RANGE	WIRE RANGE	PART NO

THIS DRAWING IS A CONTROLLED DOCUMENT.		DWN PHILLIP M FORTNEY 7/22/94	Tyco Electronics Corporation Harrisburg, PA 17105-3608		
DIMENSIONS: mm [INCHES]		CHK JEFF RUTH 7/22/94	Tyco Electronics		
TOLERANCES UNLESS OTHERWISE SPECIFIED:		APVD GARY YETTER 7/22/94	RING		
<ul style="list-style-type: none"> 0 PLC ± - 1 PLC ± - 2 PLC ± 0.25 [.010] 3 PLC ± - 4 PLC ± - ANGLES ± - 		PRODUCT SPEC -	NAME		
MATERIAL 082 BRASS		APPLICATION SPEC -	SIZE A3	CAGE CODE 00779	DRAWING NO C-63797
FINISH TIN		WEIGHT -	RESTRICTED TO -		
CUSTOMER DRAWING			SCALE 8:1	SHEET 1 OF 1	REV B