

## DETAILS

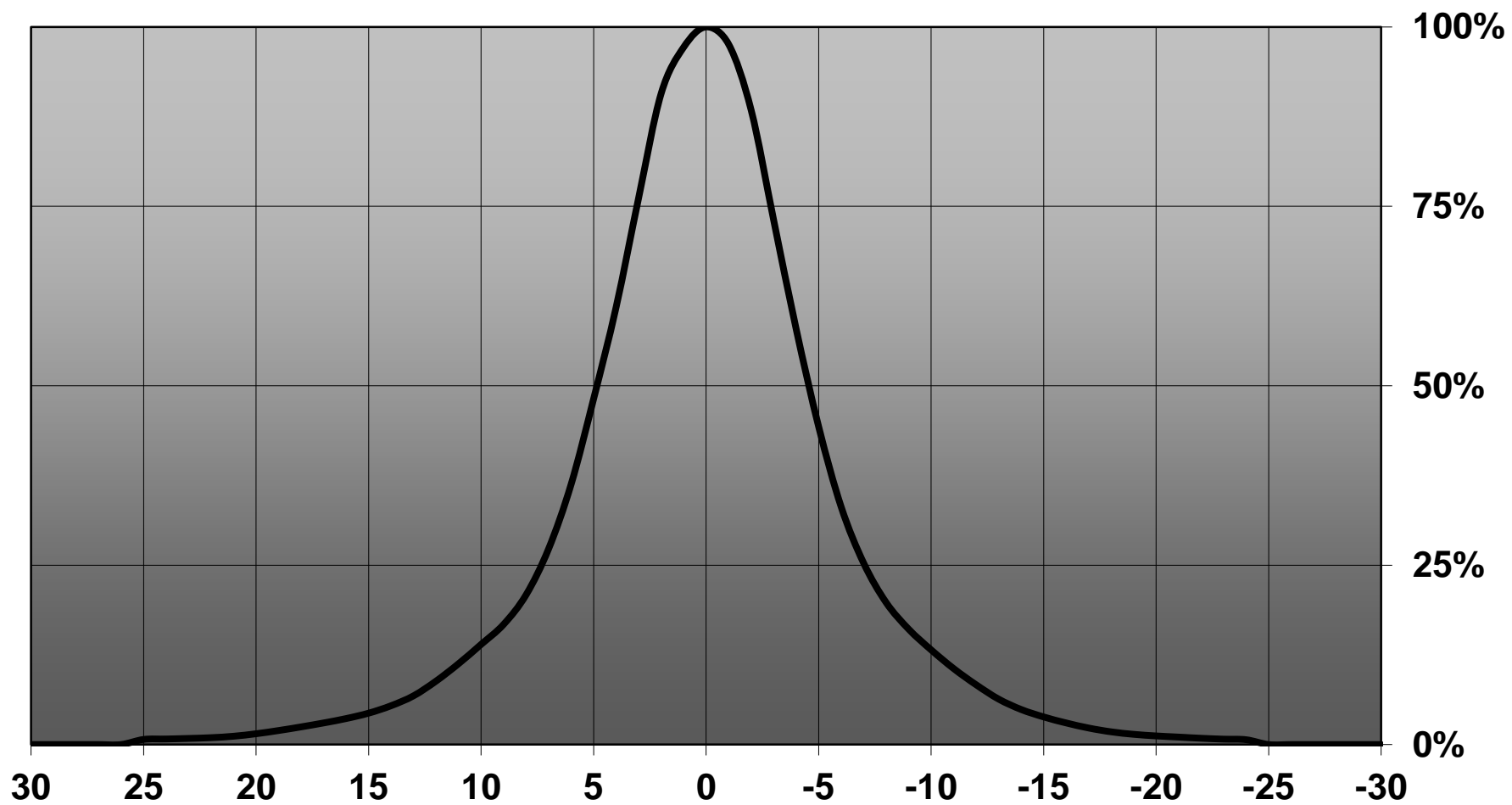
<b>Product Number</b>	CA14601_VERONICA-SQ-MINI-RS
<b>Family</b>	Veronica
<b>Type</b>	Assembly
<b>Color</b>	clear
<b>Diameter</b>	13,9+13,9 mm
<b>Height</b>	8,86 mm
<b>Style</b>	square
<b>Optic Material</b>	PMMA
<b>Holder Material</b>	
<b>Fastening</b>	tape, pin
<b>Status</b>	production ready
<b>ROHS Compliant</b>	Yes
<b>Date Updated</b>	31/03/2017



## OPTICAL PROPERTIES

LED	Viewing	Light	Effi-	cd/lm	Connector
	Angle	Beam	ciency		
XP-E2	14 deg	Real spot	92 %	11.000	-
XP-E	sim: 15	Real spot	sim: 92 %	-	-
XP-G2	sim: 20	Real spot	sim: 93 %	-	-
XP-G	sim: 21	Real spot	sim: 91 %	-	-
XQ-E	sim: 13	Real spot	sim: 89 %	-	-
XQ-E HI	9.4 deg	Real spot	90 %	14.700	-
H35B0 (LEMWA32)	sim: 17	Real spot	sim: 91 %	-	-
LUXEON Rebel	sim: 16	Real spot	sim: 87 %	-	-
LUXEON Z ES	sim: 14	Real spot	sim: 89 %	sim: 9.500	-
LUXEON A	sim: 21	Real spot	sim: 89 %	-	-
LUXEON TX	20 deg	Real spot	92 %	3.960	-
LUXEON Rebel ES	21 deg	Real spot	83 %	4.300	-
NVSxx19B/NVSxx19C	21 deg	Real spot	93 %	3.800	-
Oslon SSL 80	sim: 14	Real spot	sim: 90 %	-	-
Oslon SSL 150	sim: 14	Real spot	sim: 89 %	-	-
Oslon Square Gen3	sim: 18	Real spot	sim: 92 %	sim: 5.900	-
Oslon Square EC	18 deg	Real spot	91 %	5.330	-
LH351Z	sim: 19	Real spot	sim: 92 %	-	-
Z8Y22P	21 deg	Real spot	92 %	3.000	-

Relative intensity of CA14601\_VERONICA-SQ-MINI-RS\_(XQ-E\_HI)



D

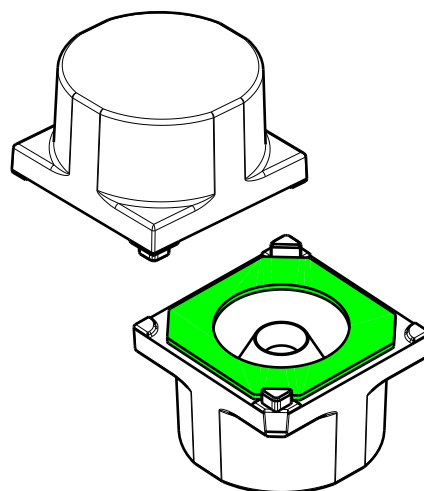
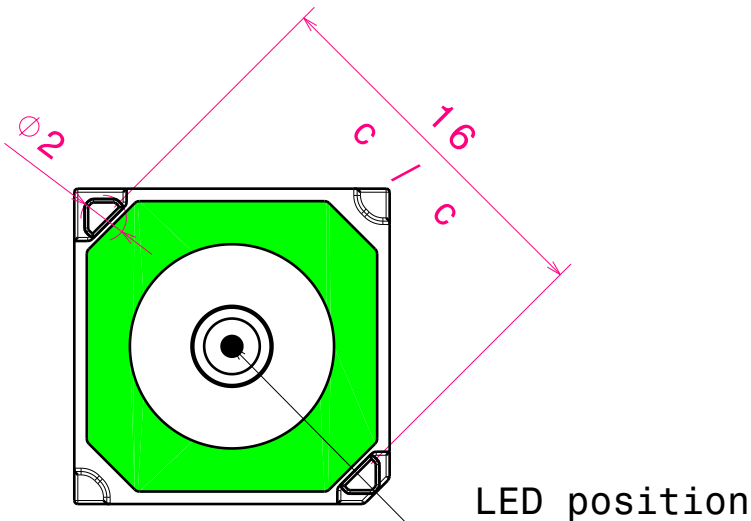
C

B

A

4

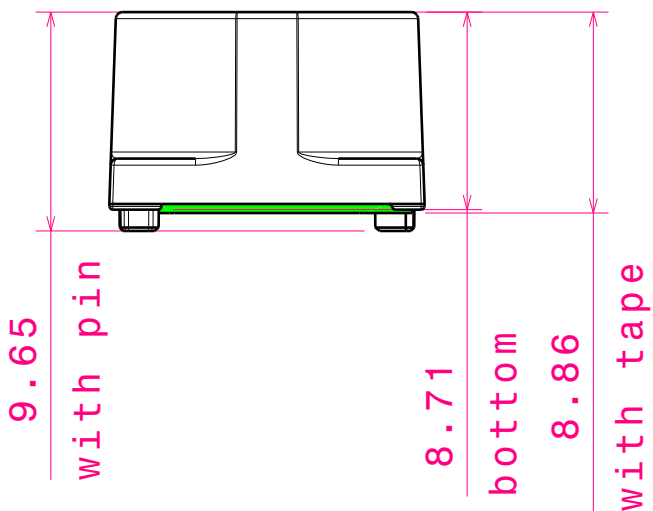
4



Isometric view  
Scale: 2:1

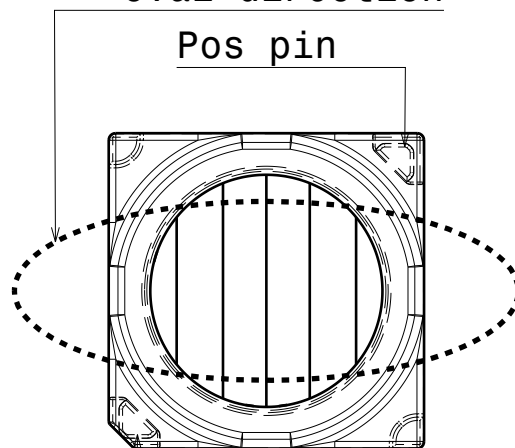
3

3



Oval direction

Pos pin

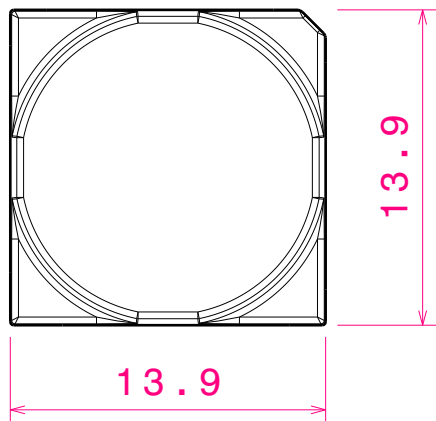


Pos pin

Oval version  
TOP VIEW

2

2



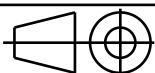
INDEX	DESCRIPTION
1	VERONICA-SQ-MINI-TAPE
2	VERONICA-SQ-MINI

Tolerances if not otherwise shown  
According to DIN ISO 2768-1  
Linear measures:  
up to 30mm class M, otherwise class C  
According to DIN ISO 2768-2  
Form and position: class L

**LEDiL**

Ledil Oy  
Salorankatu 10  
FIN 24240 SALO  
Finland

THIRD ANGLE PROJECTION:



DRAWING TITLE

**VERONICA-SQ-MINI**

This drawing is the property  
of LEDiL Oy. It may not be  
reproduced, copied or  
communicated without a written  
agreement with LEDiL Oy.

SIZE PART NUMBER

A4

-

SCALE 3:1 WEIGHT

SHEET 1/1

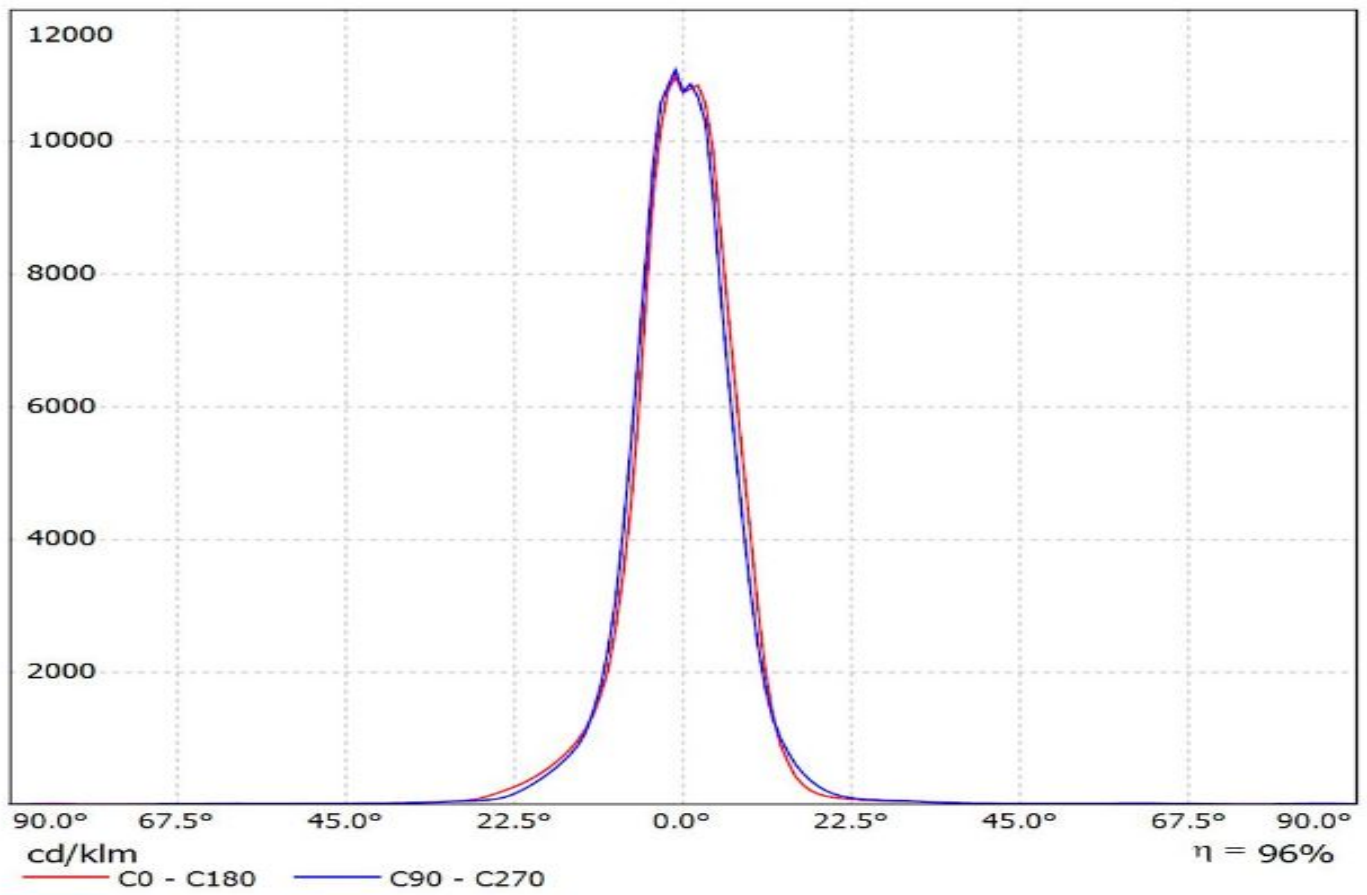
D

A

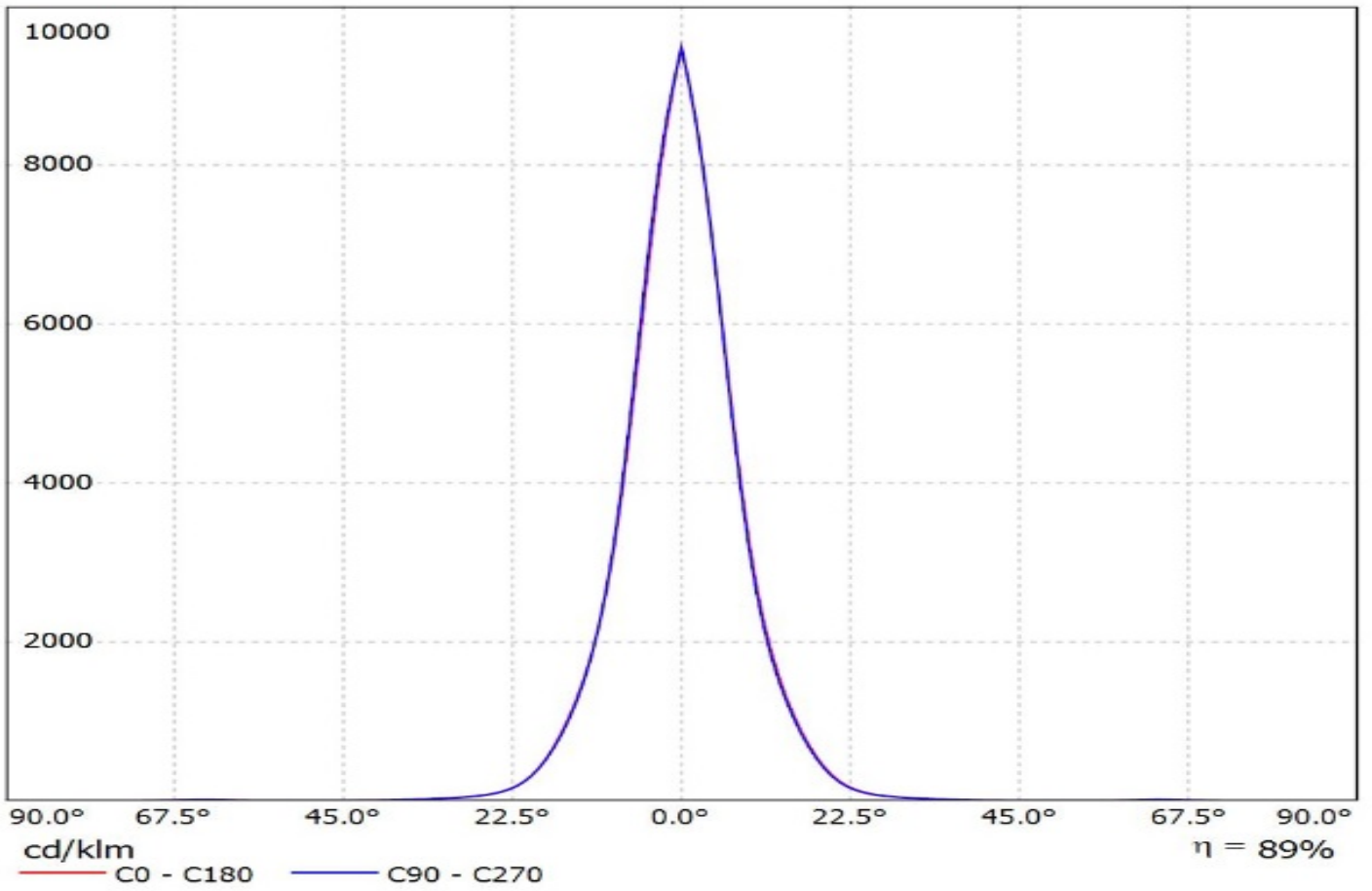
1

1

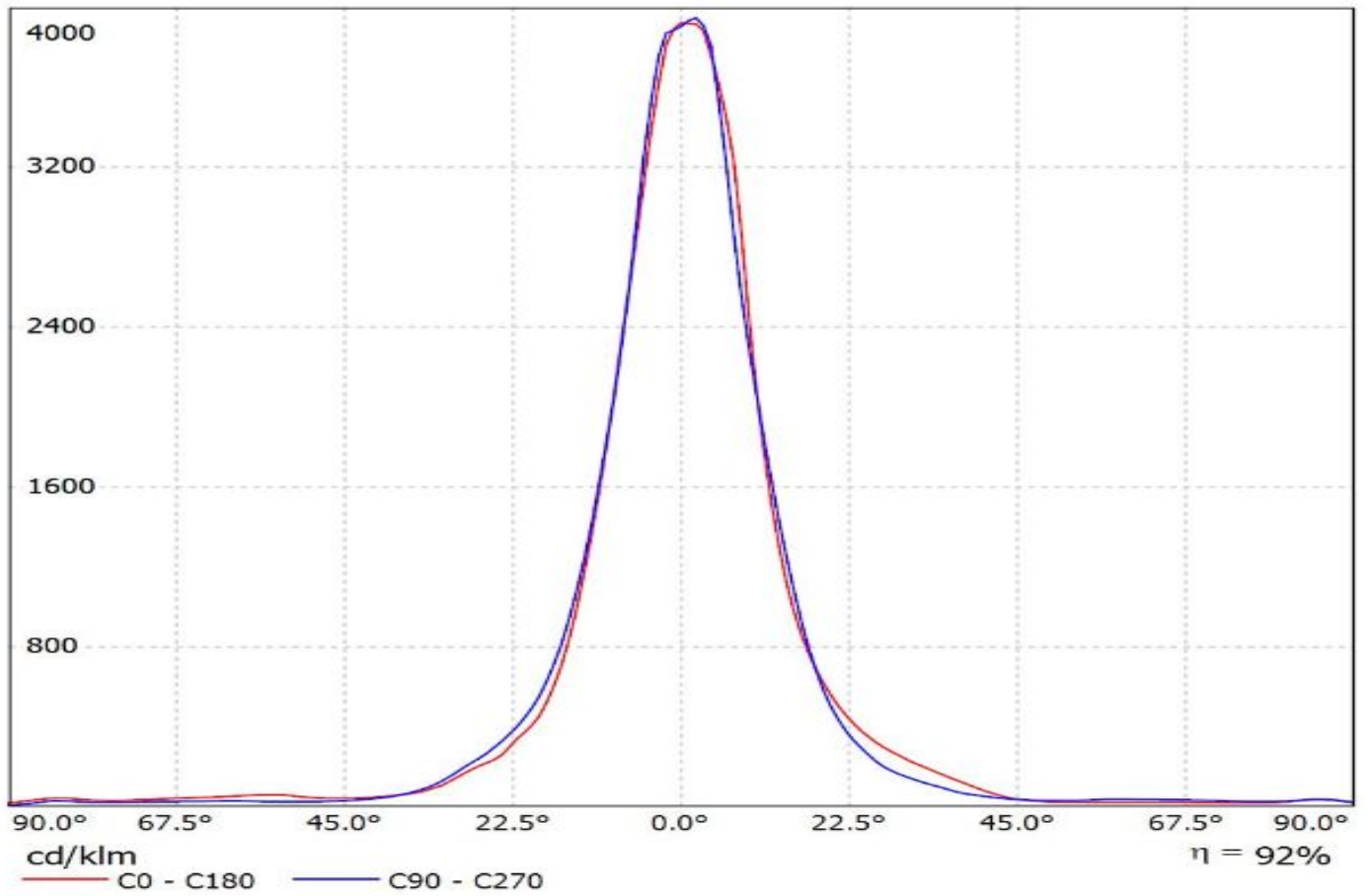
Luminaire: LEDiL Oy CA14601\_VERONICA-SQ-MINI-RS\_(XP-E2)  
Lamps: 1 x Cree\_XP-E2\_92.0106lm@250mA\_CCT=5536K\_P=0.768542W\_I=0.2499A



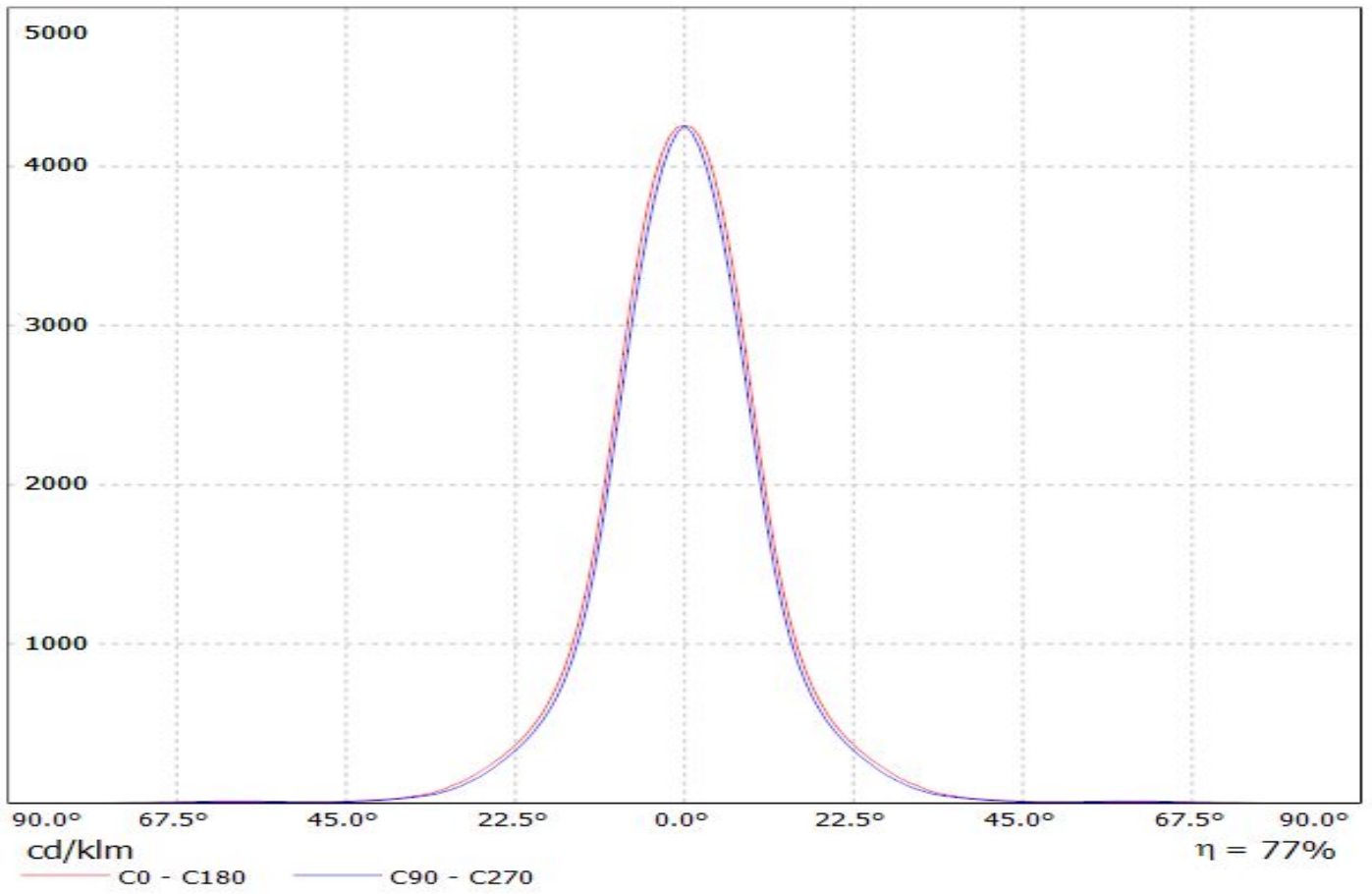
Luminaire: CA14602\_VERONICA-SQ-MINI-O\_SIMULATED\_LUXEON-Z-ES\_100LM  
Lamps: 1 x 100lm



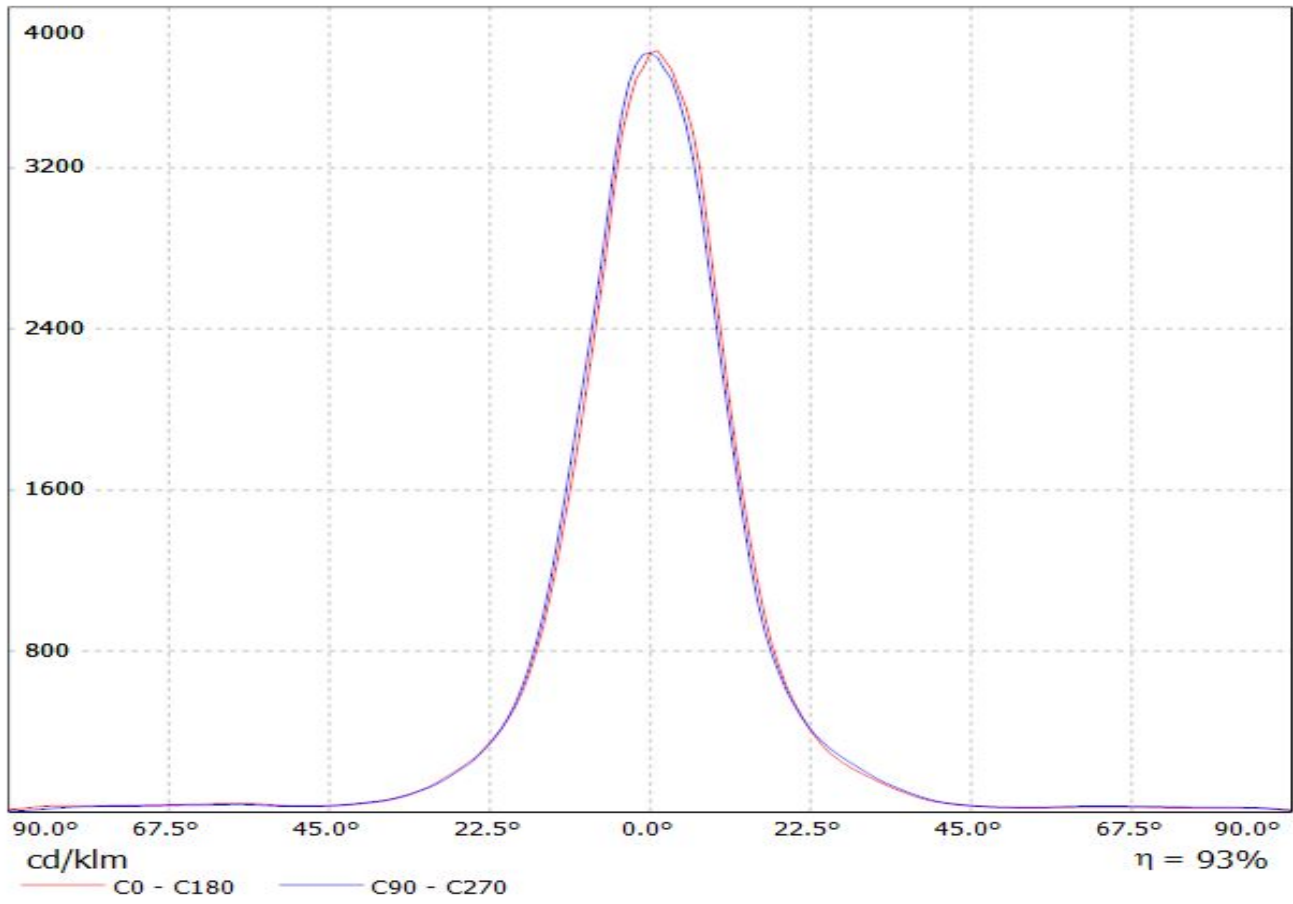
Luminaire: Ledil CA14601\_VERONICA-SQ-MINI-RS (Luxeon\_TX)  
Lamps: 1 x Luxeon\_TX\_(L1T2-3585)\_83.3743lm@250mA\_P=0.7475W\_I=0.25A



Luminaire: LEDiL Oy  
Lamps: 1 x CA14601\_VERONICA-SQ-MINI-RS\_(REBEL-ES)



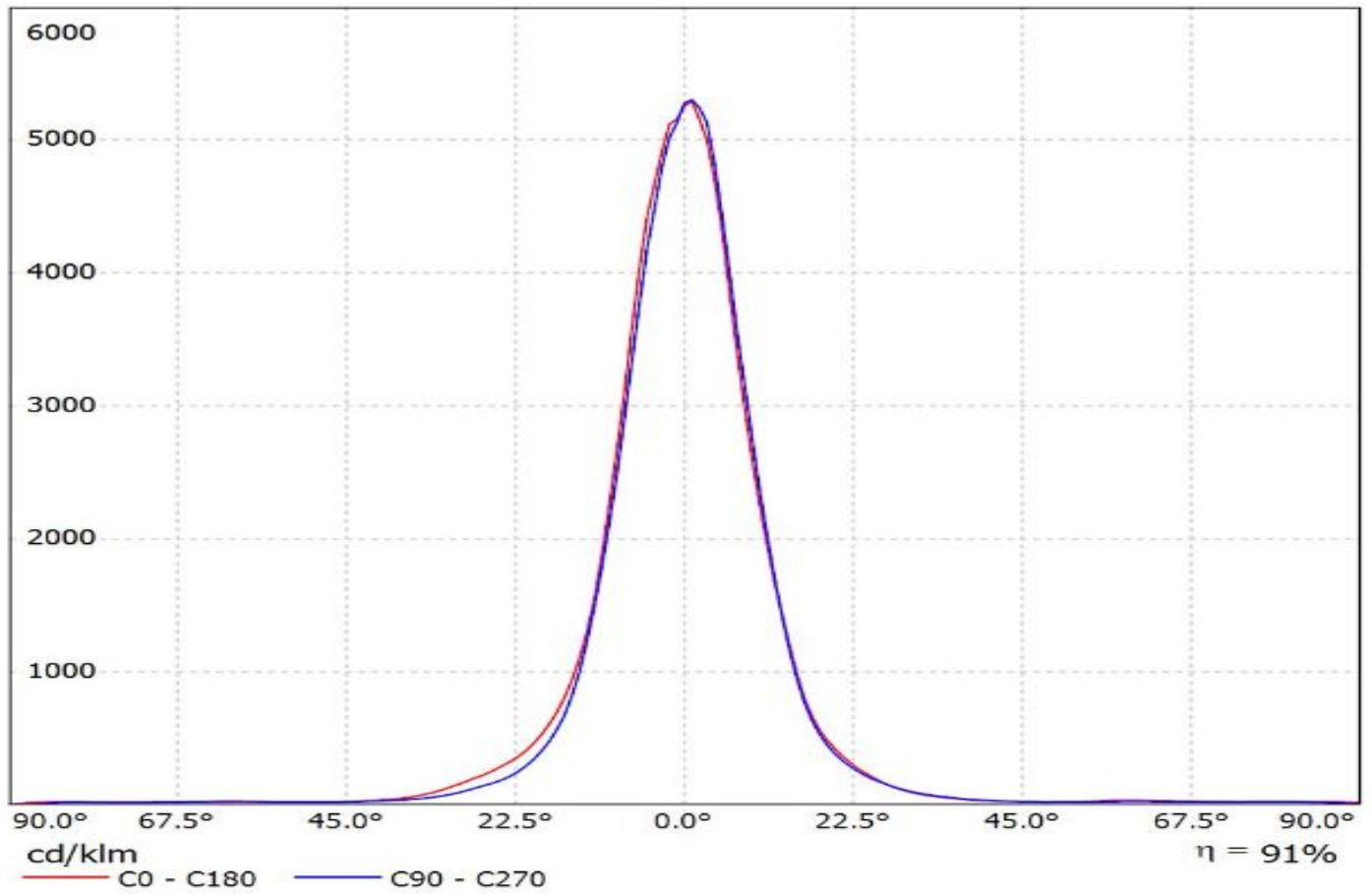
Luminaire: LEDiL Oy CA14601\_VERONICA-SQ-MINI-RS\_(NVSL219CE)  
Lamps: 1 x Nichia\_NVSL219CE\_101.052lm@250mA\_P=0.713154W\_I=0.25A



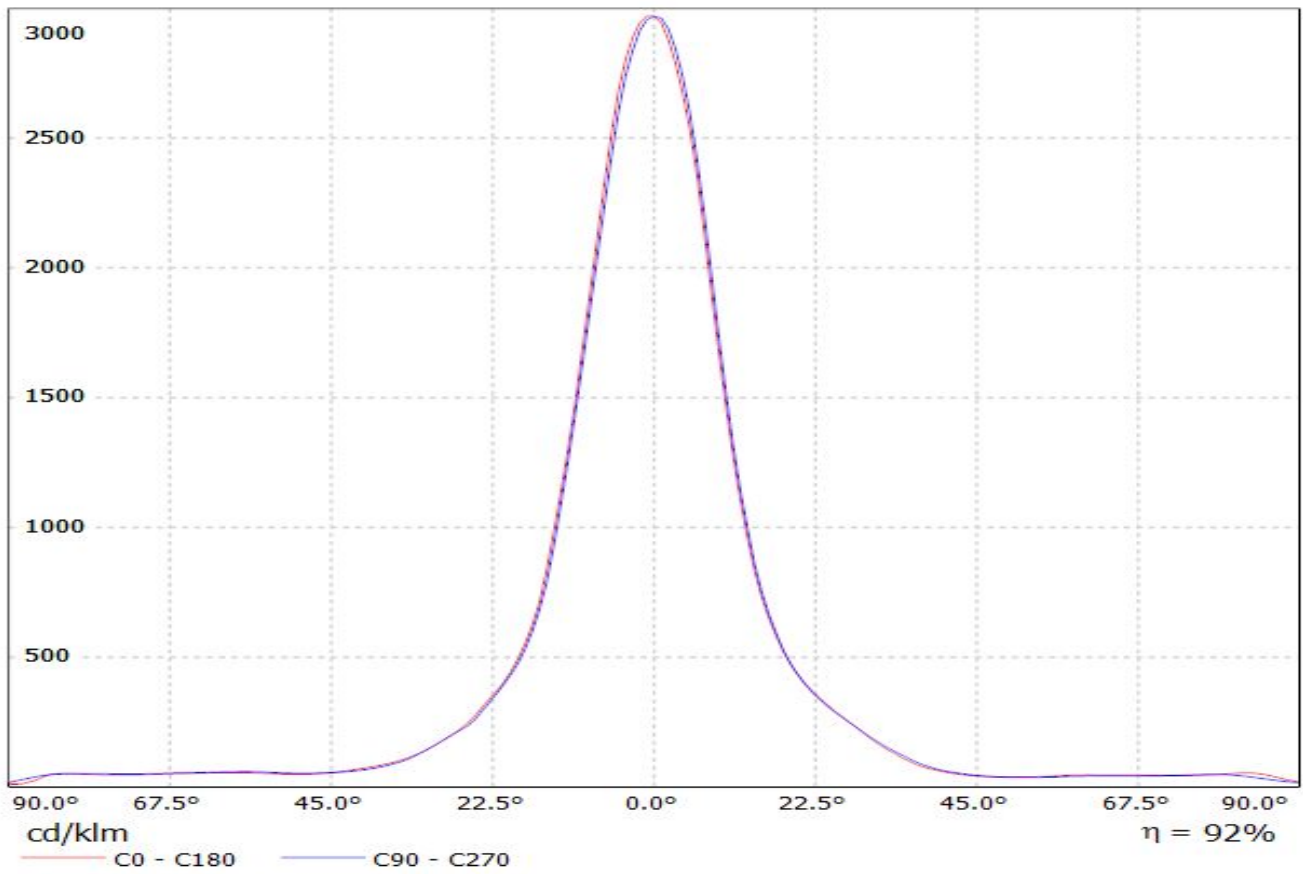


Luminaire: Ledil CA14601\_VERONICA-SQ-MINI-RS\_(Oslon\_Square)

Lamps: 1 x Osram\_Oslon\_Square\_(GWCSSRM1.3M)\_72.2595lm@250mA\_P=0.7303W\_I=0.25A

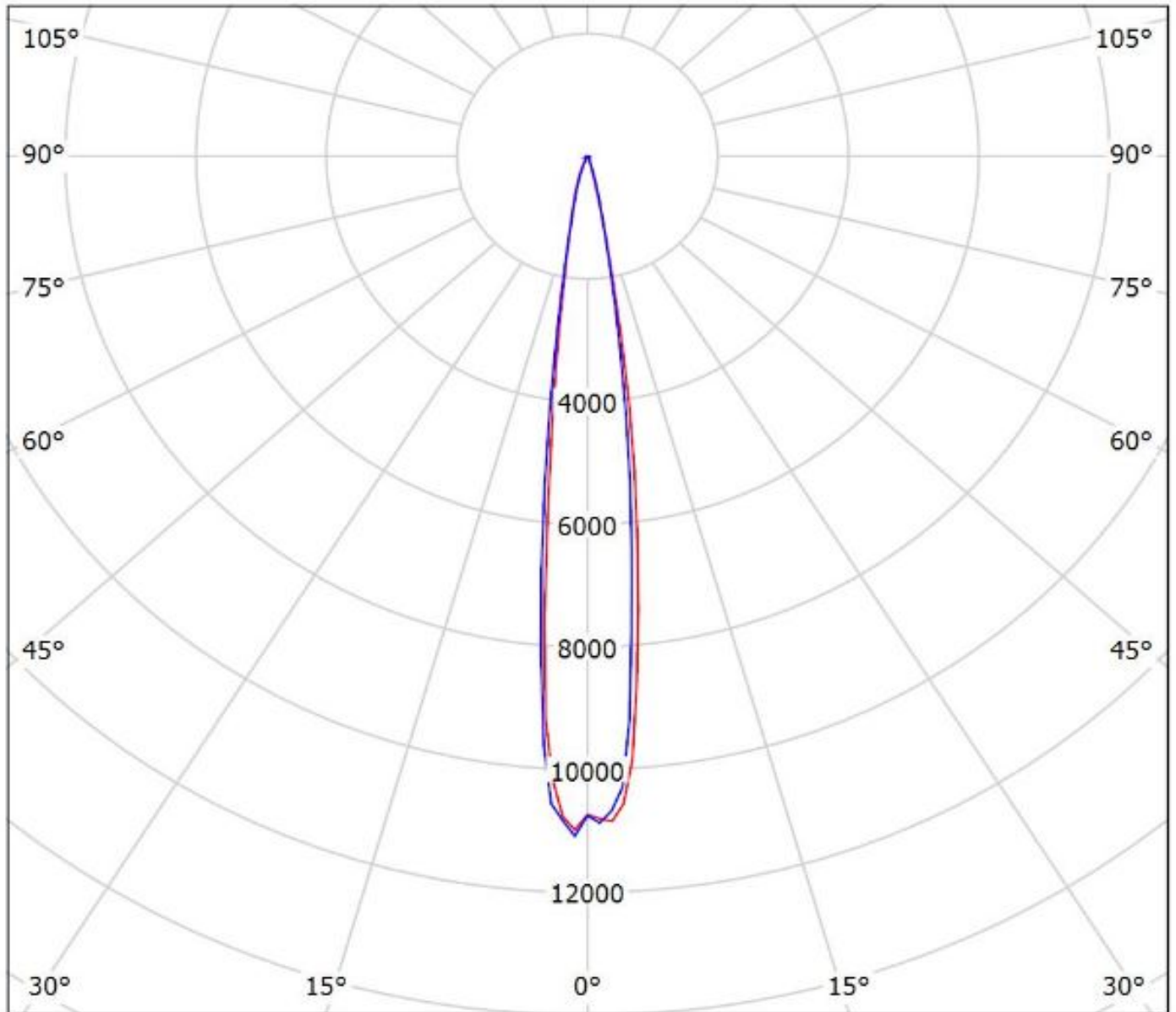


Luminaire: LEDiL Oy CA14601\_VERONICA-SQ-MINI-RS\_(Z8Y22plus)  
Lamps: 1 x Seoul\_Z8Y22plus\_(W6E2G)\_125.652lm@250mA\_P=0.69312W\_I=0.250A



Luminaire: LEDiL Oy CA14601\_VERONICA-SQ-MINI-RS\_(XP-E2)

Lamps: 1 x Cree\_XP-E2\_92.0106lm@250mA\_CCT=5536K\_P=0.768542W\_I=0.2499A



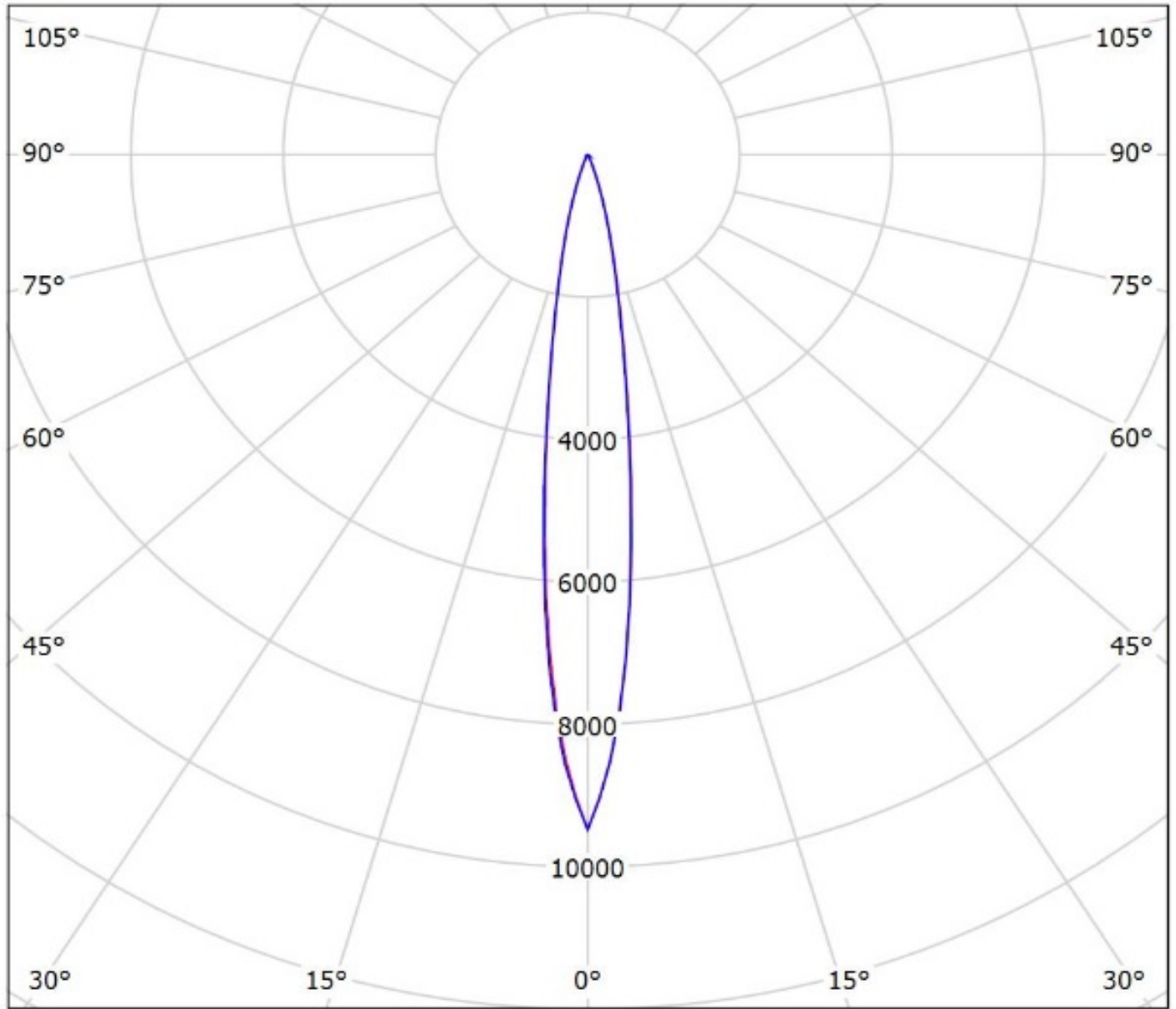
cd/klm

— C0 - C180

— C90 - C270

$\eta = 96\%$

Luminaire: CA14602\_VERONICA-SQ-MINI-O\_SIMULATED\_LUXEON-Z-ES\_100LM  
Lamps: 1 x 100lm



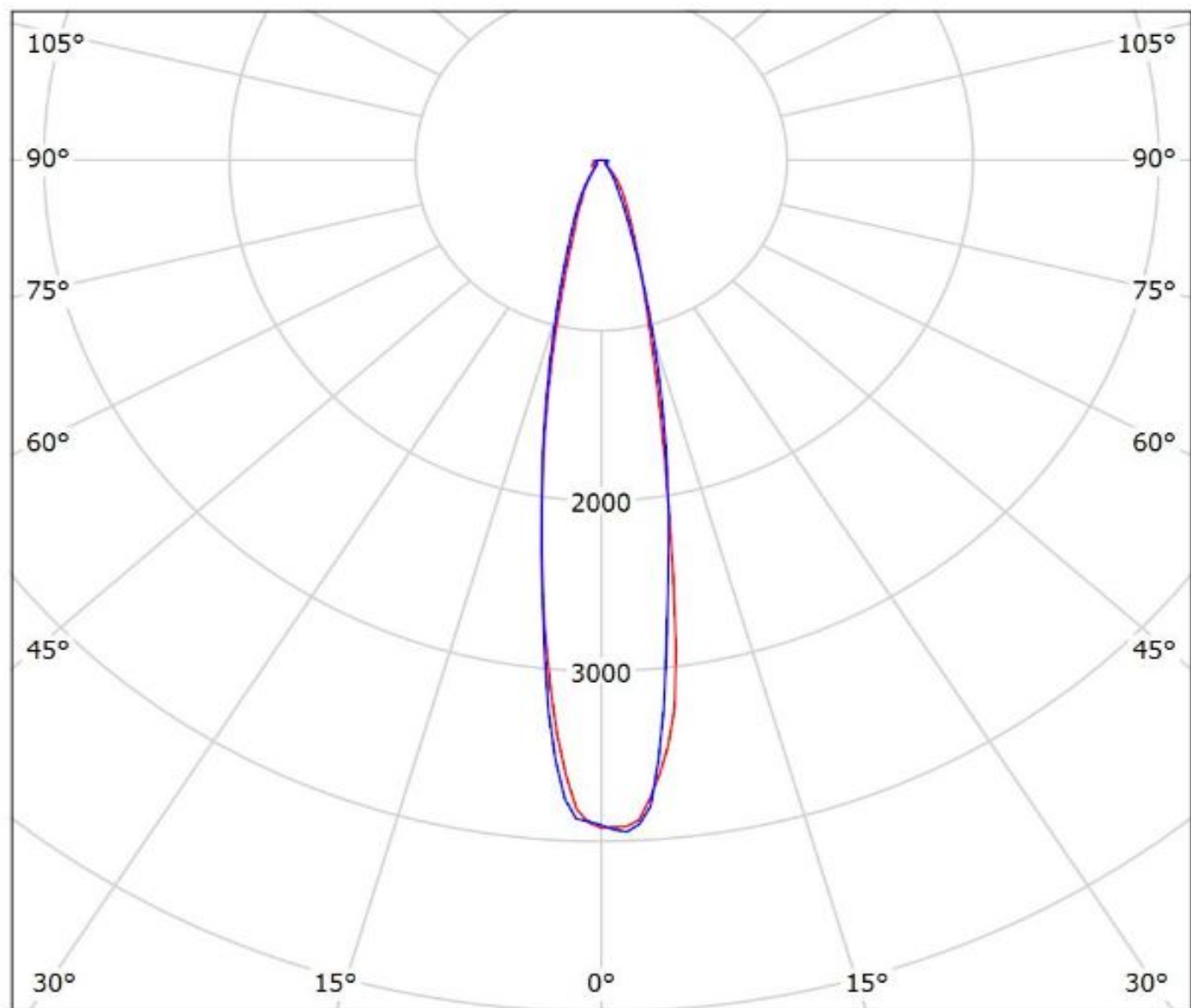
cd/klm

— C0 - C180 — C90 - C270

η = 89%

Luminaire: Ledil CA14601\_VERONICA-SQ-MINI-RS\_(Luxeon\_TX)

Lamps: 1 x Luxeon\_TX\_(L1T2-3585)\_83.3743lm@250mA\_P=0.7475W\_I=0.25A

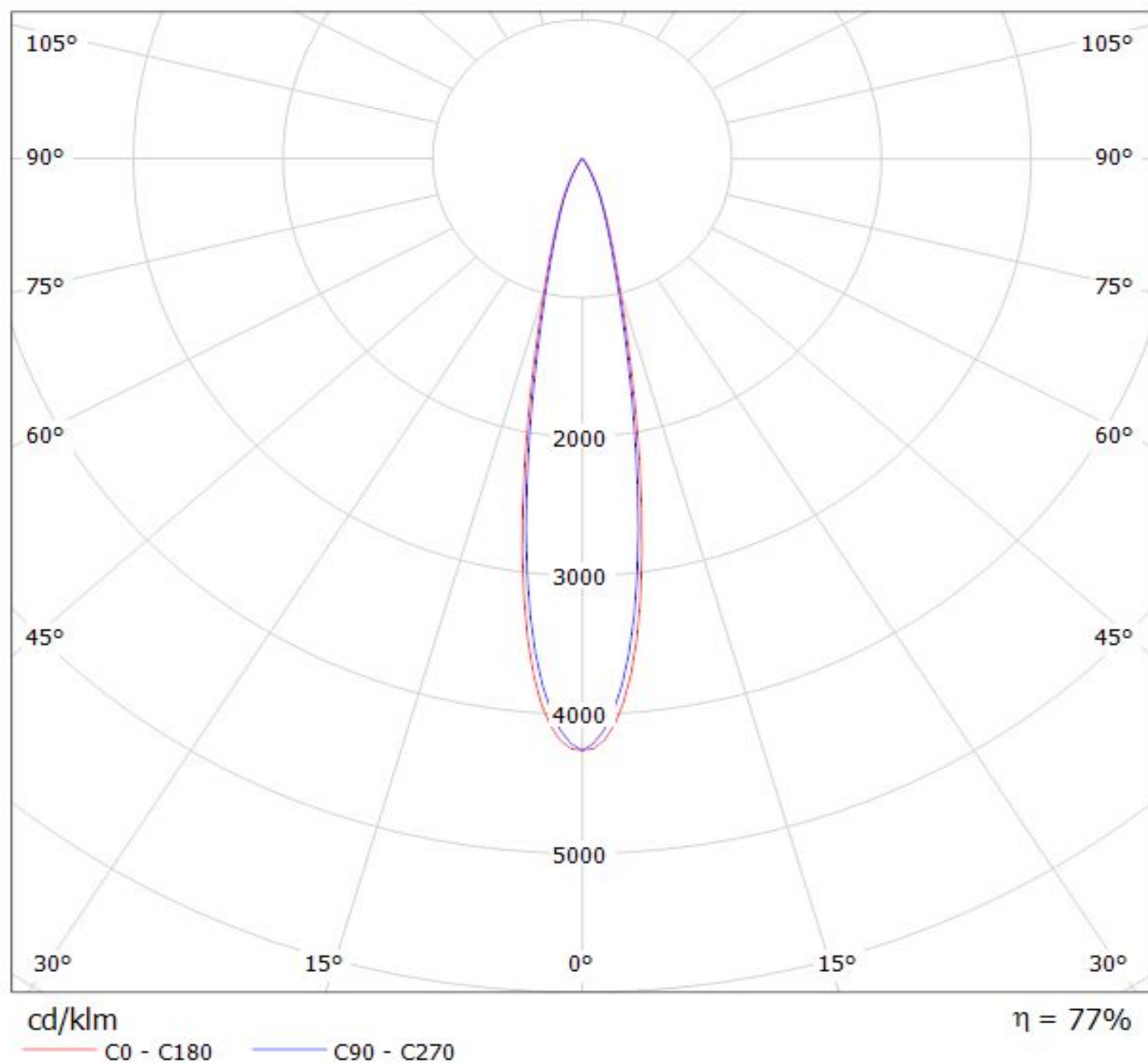


cd/klm

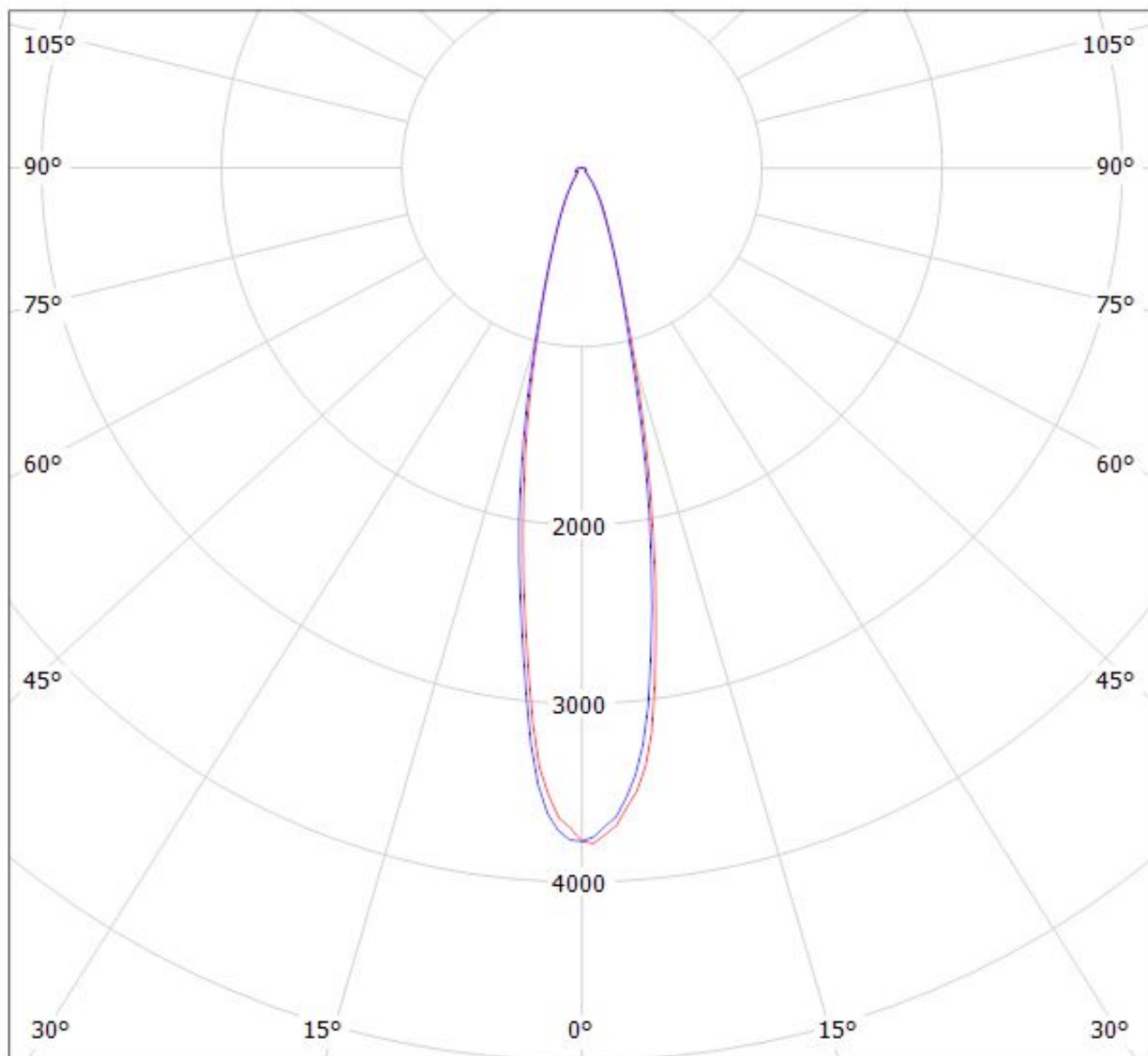
— C0 - C180 — C90 - C270

$\eta = 92\%$

Luminaire: LEDiL Oy  
Lamps: 1 x CA14601\_VERONICA-SQ-MINI-RS\_(REBEL-ES)



Luminaire: LEDiL Oy CA14601\_VERONICA-SQ-MINI-RS\_(NVSL219CE)  
Lamps: 1 x Nichia\_NVSL219CE\_101.052lm@250mA\_P=0.713154W\_I=0.25A



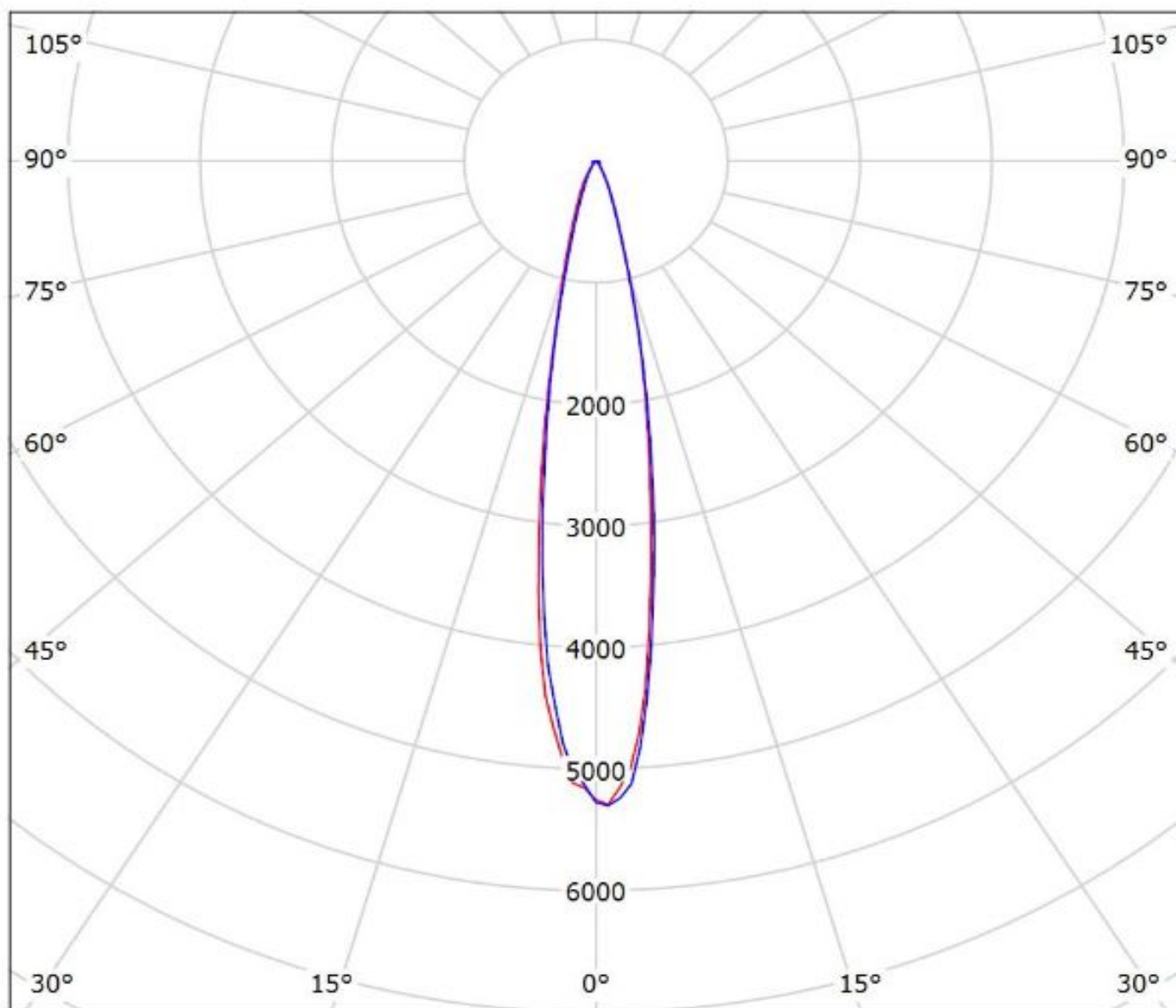
cd/klm

$\eta = 93\%$

— C0 - C180 — C90 - C270

Luminaire: Ledil CA14601\_VERONICA-SQ-MINI-RS\_(Oslon\_Square)

Lamps: 1 x Osram\_Oslon\_Square\_(GWCSSRM1.3M)\_72.2595lm@250mA\_P=0.7303W\_I=0.25A



cd/klm

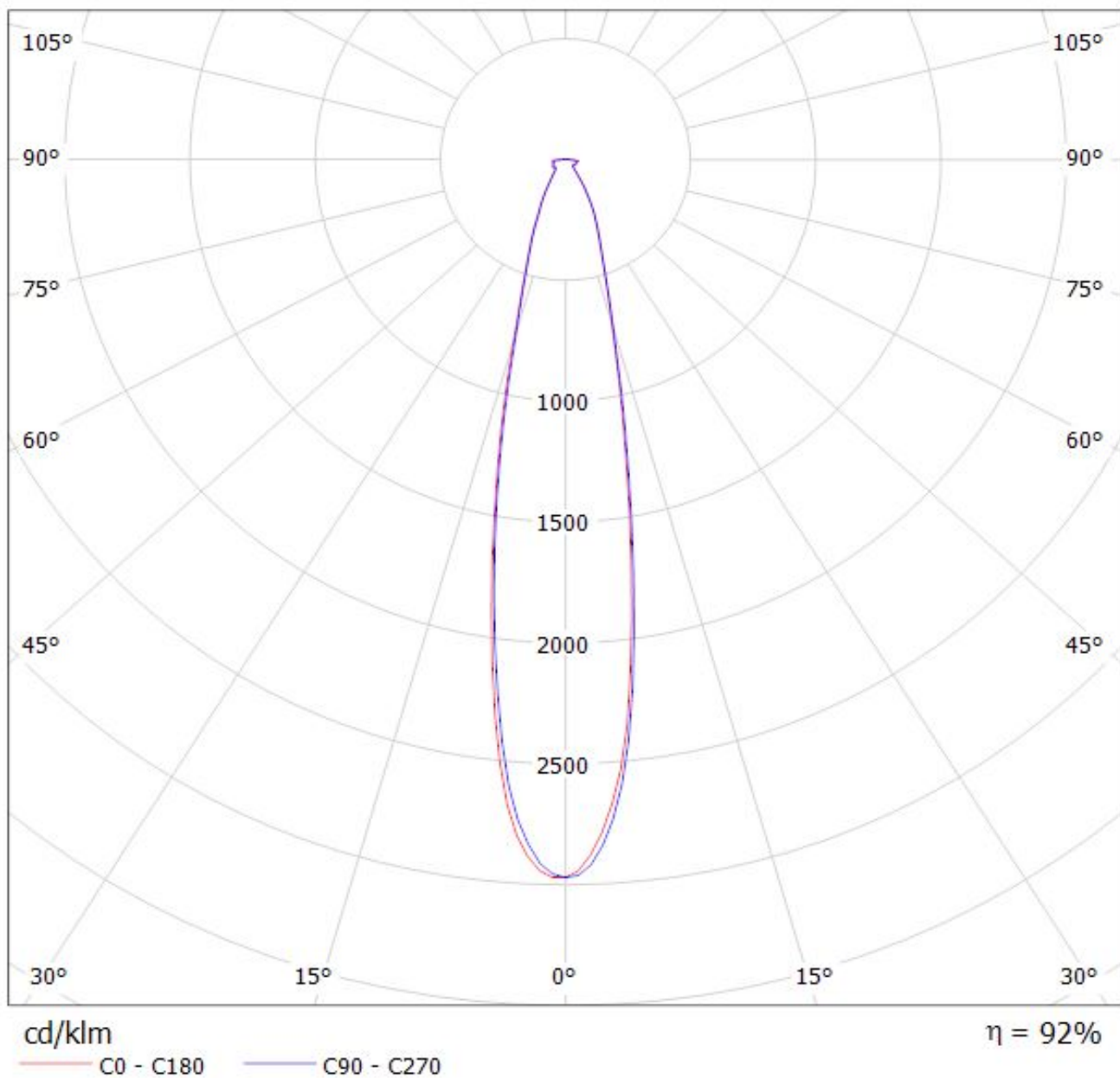
— C0 - C180

— C90 - C270

$\eta = 91\%$



Luminaire: LEDiL Oy CA14601\_VERONICA-SQ-MINI-RS\_(Z8Y22plus)  
Lamps: 1 x Seoul\_Z8Y22plus\_(W6E2G)\_125.652lm@250mA\_P=0.69312W\_I=0.250A



**NOTE: The typical divergence will be changed by different color, chip size and chip position tolerance. The typical total divergence is the full angle measured where the luminous intensity is half of the peak value.**