

4

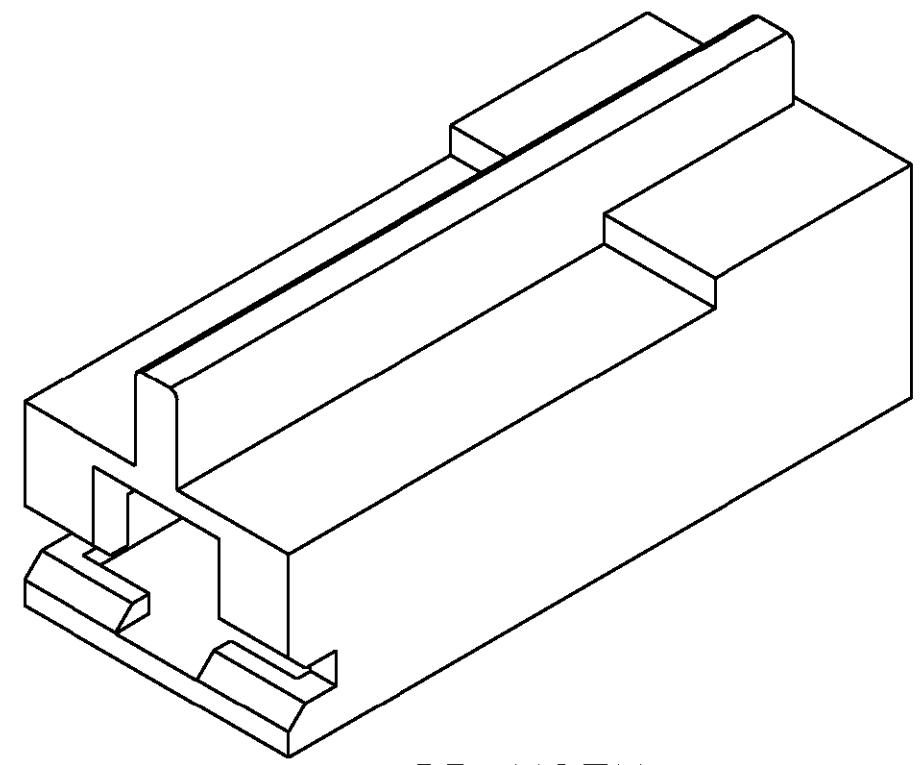
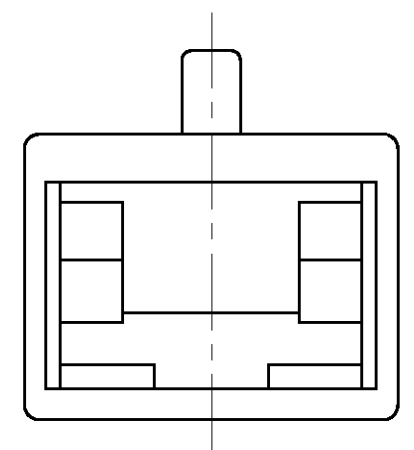
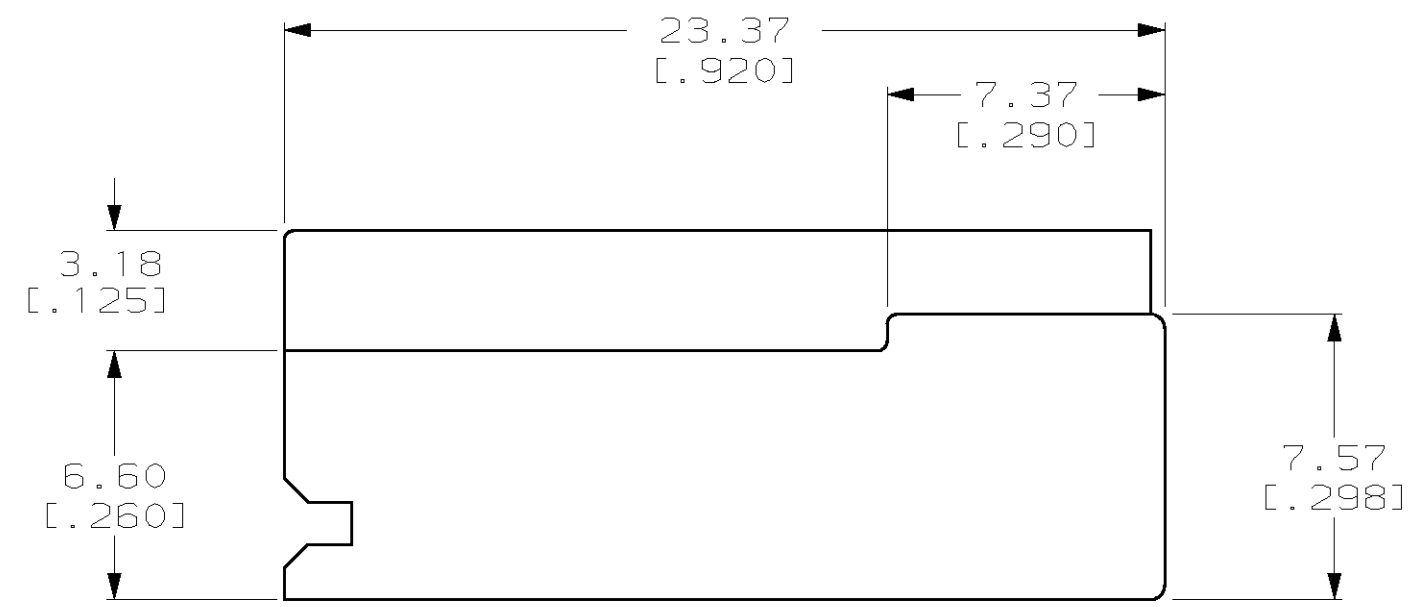
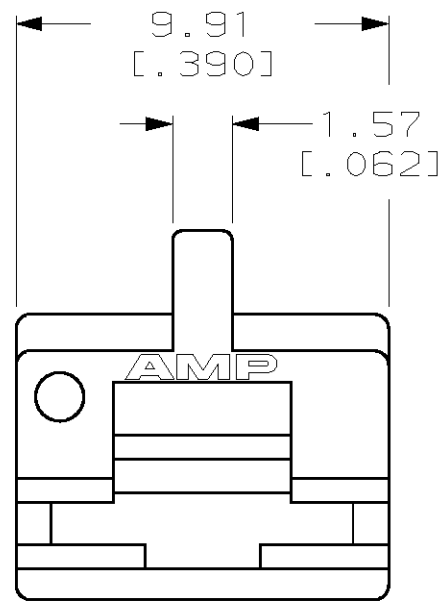
3

2

1

THIS DRAWING IS UNPUBLISHED. RELEASED FOR PUBLICATION, 19 .
 © COPYRIGHT 19 BY AMP INCORPORATED. ALL RIGHTS RESERVED.

LOC	DIST	REVISIONS			
P	LTR	DESCRIPTION	DATE	DWN	APVD
AF	50	A	REL PER 063A-0067-00	07FEB00	JR PD



3D VIEW

521136-1
PART NO.

THIS DRAWING IS A CONTROLLED DOCUMENT.		DWN	JR RUTH	3/27/97	AMP AMP Incorporated Harrisburg, PA 17105-3608
		CHK	MS FEHER	3/27/97	
DIMENSIONS: MM [INCHES]		APVD	R BEAVER	3/27/97	NAME
TOLERANCES UNLESS OTHERWISE SPECIFIED:		PRODUCT SPEC		HOUSING, RECEPTACLE, FASTON, 6.35 [.250] SERIES	
0 PLC ±-		APPLICATION SPEC		SIZE	
1 PLC ±-		WEIGHT		CAGE CODE	
2 PLC ±0.25 [.010]		CUSTOMER DRAWING		DRAWING NO	
3 PLC ±-		SCALE		SHEET	
4 PLC ±-		5:1		1 OF 1	
ANGLES ±-		RESTRICTED TO		REV	
MATERIAL 6/6 NYLON		FINISH NATURAL		A	