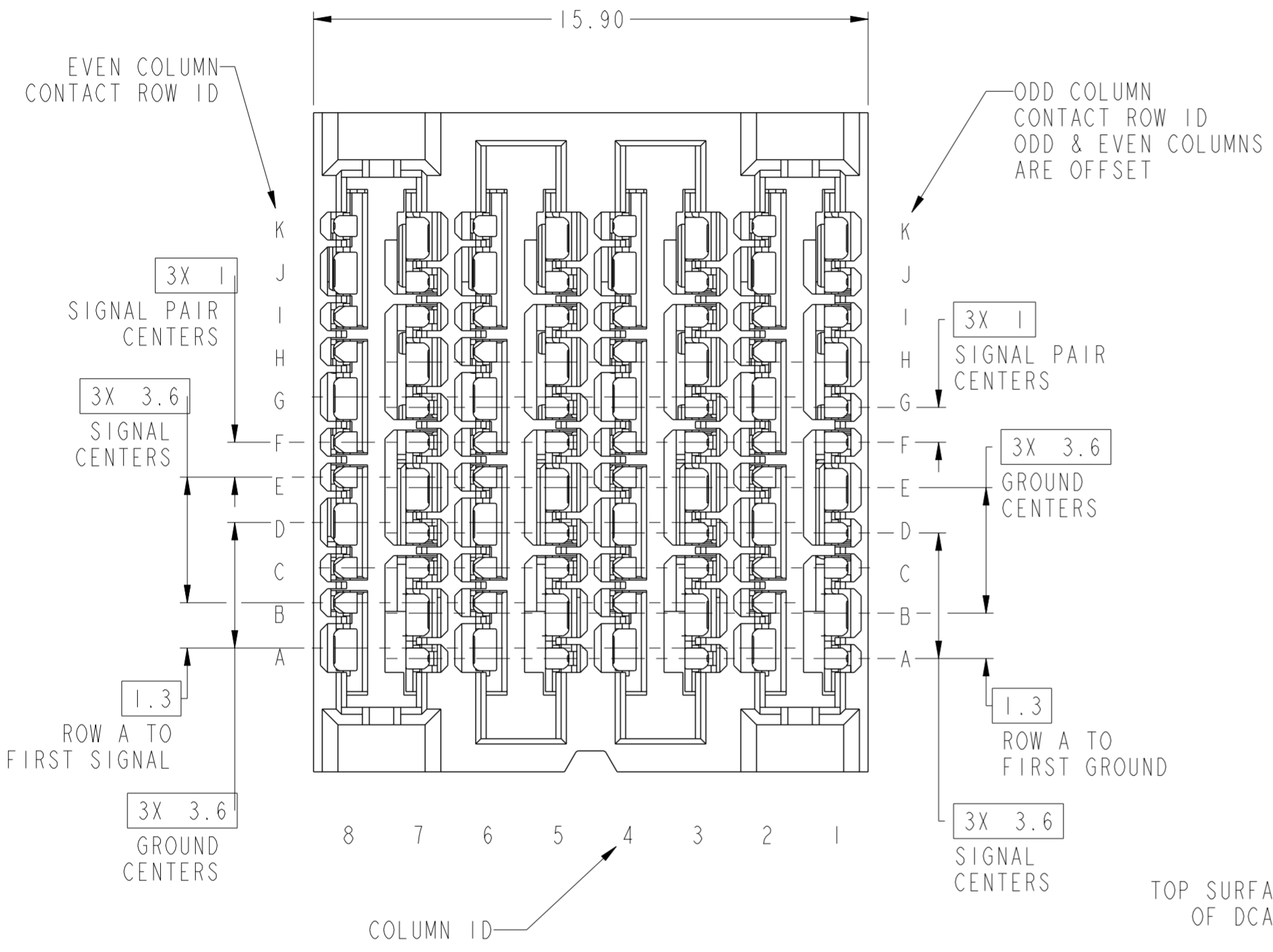
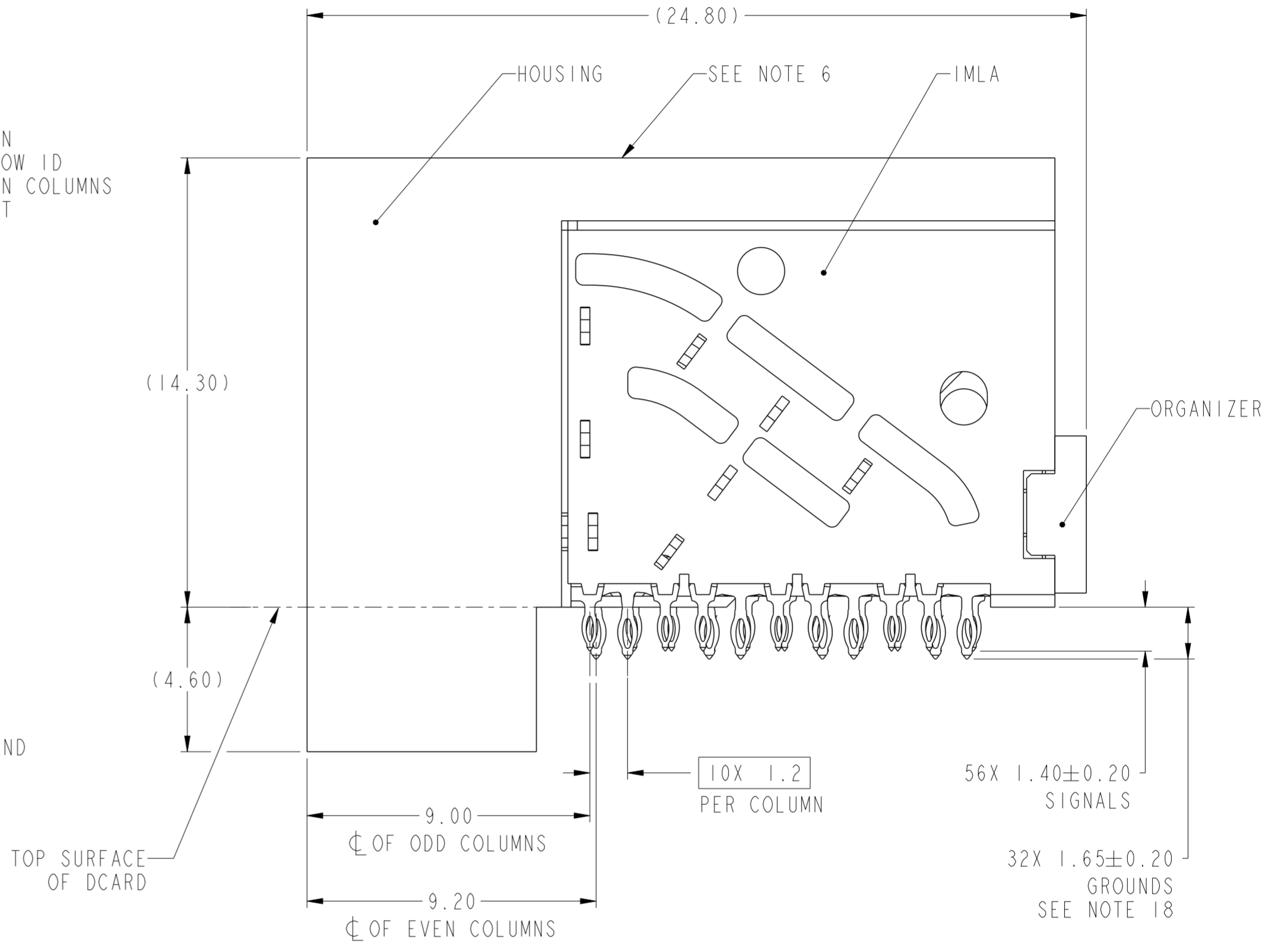


PRODUCT NUMBER
SEE TABLE



**10124308-101LF
STANDARD MATE RECEPTACLE**



spec ref	SEE NOTES	dr	Heaven Cen	2013/05/14	projection	MM	size	A2	scale	7:1												
tolerance std	TOLERANCES UNLESS OTHERWISE SPECIFIED	eng	Terry Luo	2017/01/23			ecn no	-	rel level	Released												
ASME Y14.5M		chr	Heaven Cen	2017/01/22																		
		appr	Pai-Ming Zheng	2017/01/23																		
surface	<table border="1"> <tr> <td>linear</td> <td>0.X</td> <td>±.3</td> </tr> <tr> <td></td> <td>0.XX</td> <td>±.10</td> </tr> <tr> <td></td> <td>0.XXX</td> <td>±.050</td> </tr> <tr> <td>angular</td> <td>0°</td> <td>±°</td> </tr> </table>	linear	0.X	±.3		0.XX	±.10		0.XXX	±.050	angular	0°	±°			ExaMAX R.A. RECEPTACLE ASS'Y, 3 PR, 88 POS, 8 IMLA		product family ExaMAX	rel level Released	title ExaMAX R.A. RECEPTACLE	cat. no. 10124308	rev A
linear	0.X	±.3																				
	0.XX	±.10																				
	0.XXX	±.050																				
angular	0°	±°																				
Product - Customer Drw							sheet 1 of 10															

Amphenol FCI

© 2016 AFCI

1 2 3 4 5 6 7 8

A

B

C

D

E

F

A

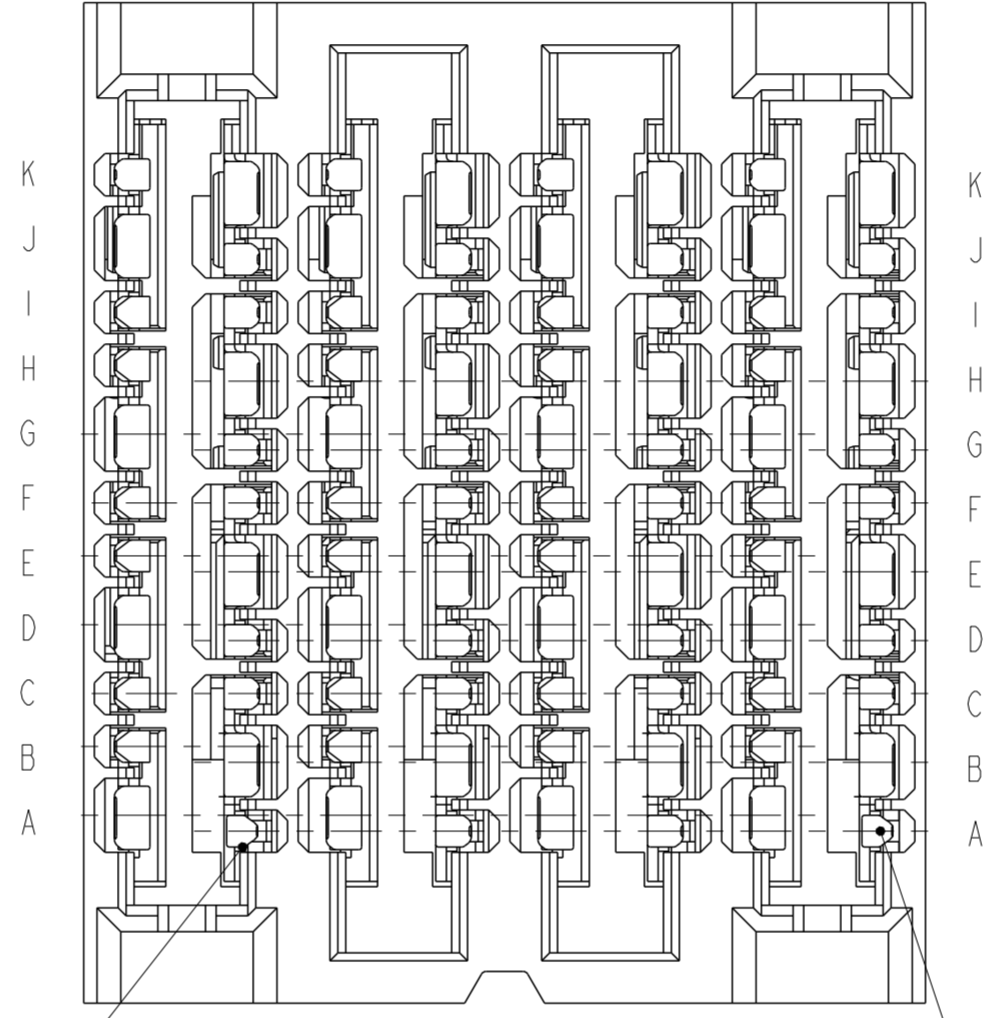
B

C

D

E

F



ADVANCED MATE POSITION A7 SEE NOTE 13

ADVANCED MATE POSITION A1 SEE NOTE 13

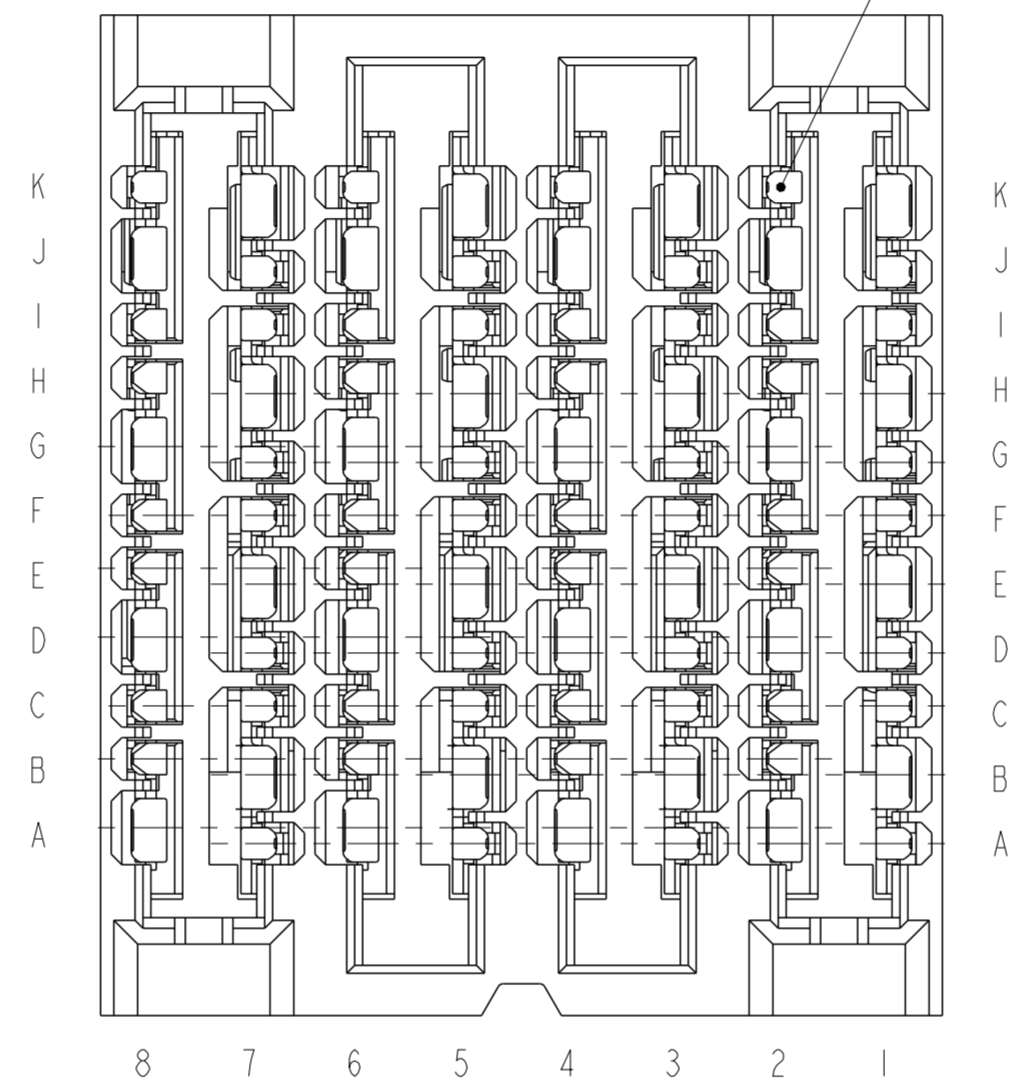
10124308-201LF
ADVANCED MATE RECEPTACLE
ADVANCED MATE POSITIONS ARE POSITIONS A1 AND A7 ONLY
FOR ALL DIMENSIONS SEE SHEET 1

Amphenol
FCi

© 2016 AFci

spec ref	SEE NOTES	dr	Heaven Cen	2013/05/14	projection	MM	size	A2	scale	7:1
tolerance std	ASME Y14.5M	eng	Terry Luo	2017/01/23			ecn no	-	rel level	Released
TOLERANCES UNLESS OTHERWISE SPECIFIED		chr	Heaven Cen	2017/01/22						
surface	-	appr	Pai-Ming Zheng	2017/01/23	product family	ExaMAX	rel level	Released	rev	A
	linear	0.X	±.3		title		ExaMAX R.A. RECEPTACLE		dwg no 10124308	rev A
		0.XX	±.10		title		ASS'Y, 3 PR, 88 POS, 8 IMLA			
		0.XXX	±.050		cat. no.		Product - Customer Drw			
	angular	0°	±°	cat. no.		Product - Customer Drw		sheet 2 of 10		

SHORT DETECT
POSITION K2
SEE NOTE 14

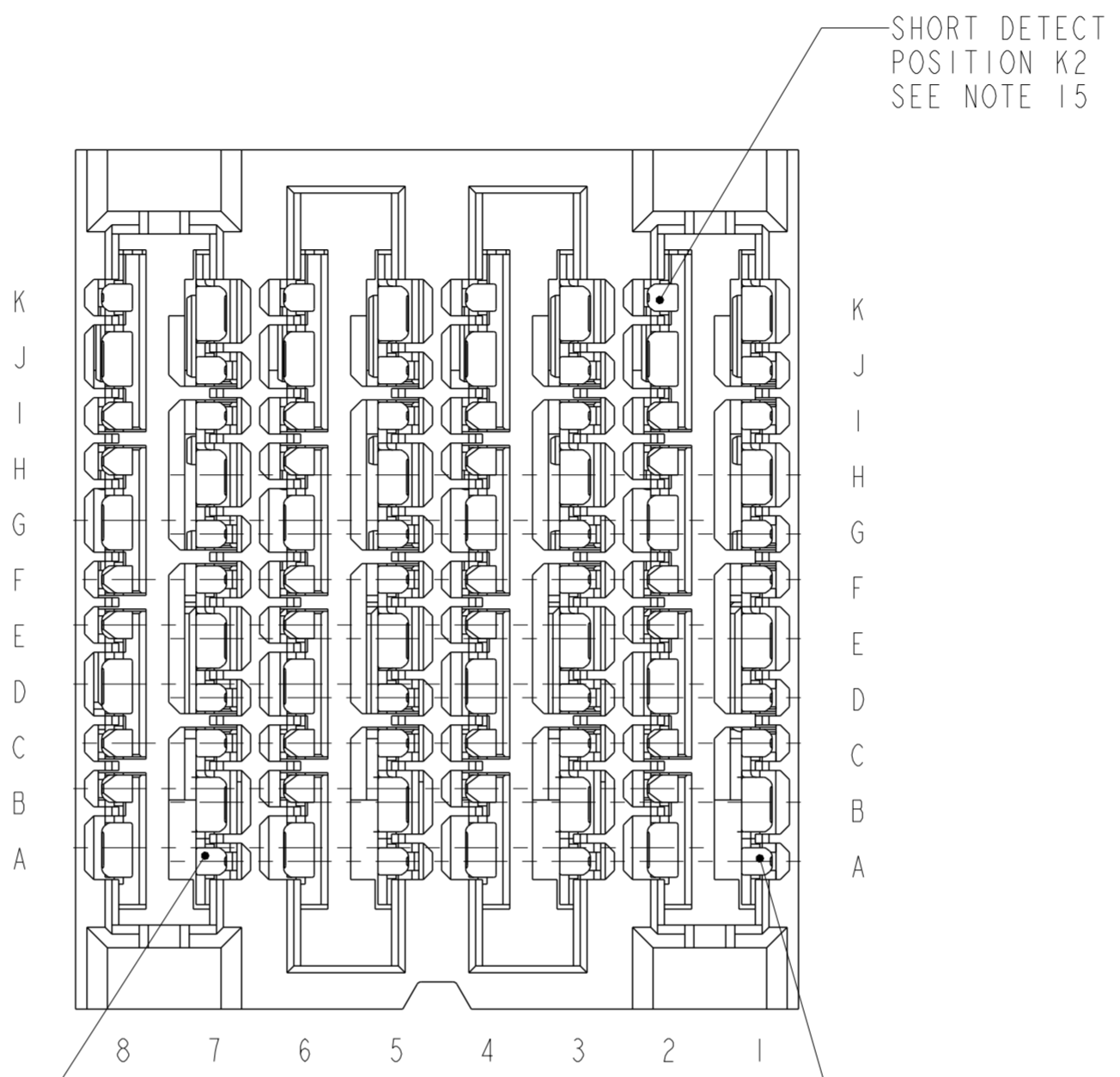


10124308-301LF
SHORT DETECT RECEPTACLE
SHORT DETECT POSITION IS K2
FOR ALL DIMENSIONS SEE SHEET 1

Amphenol
FCi

© 2016 AFci

spec ref	SEE NOTES	dr	Heaven Cen	2013/05/14	projection	MM	size	A2	scale	7:1
tolerance std	TOLERANCES UNLESS OTHERWISE SPECIFIED	eng	Terry Luo	2017/01/23			ecn no	-	rel level	Released
ASME Y14.5M		chr	Heaven Cen	2017/01/22						
surface	linear	0.X	±.3		title ExaMAX R.A. RECEPTACLE ASS'Y, 3 PR, 88 POS, 8 IMLA	dwg no 10124308	rev A	Product - Customer Drw		
		0.XX	±.10					cat. no.	Product - Customer Drw	sheet 3 of 10
		0.XXX	±.050							
	angular	0°	±°							

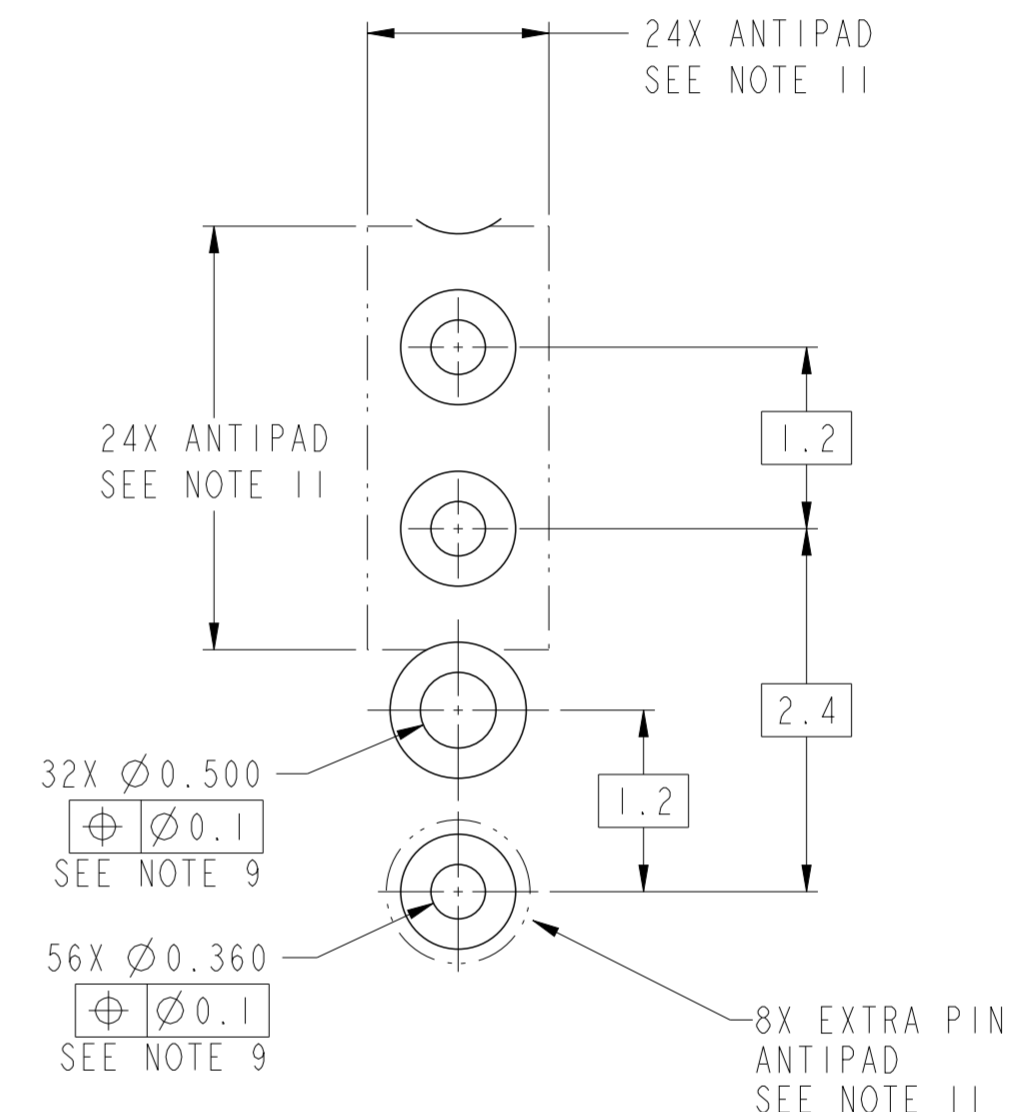
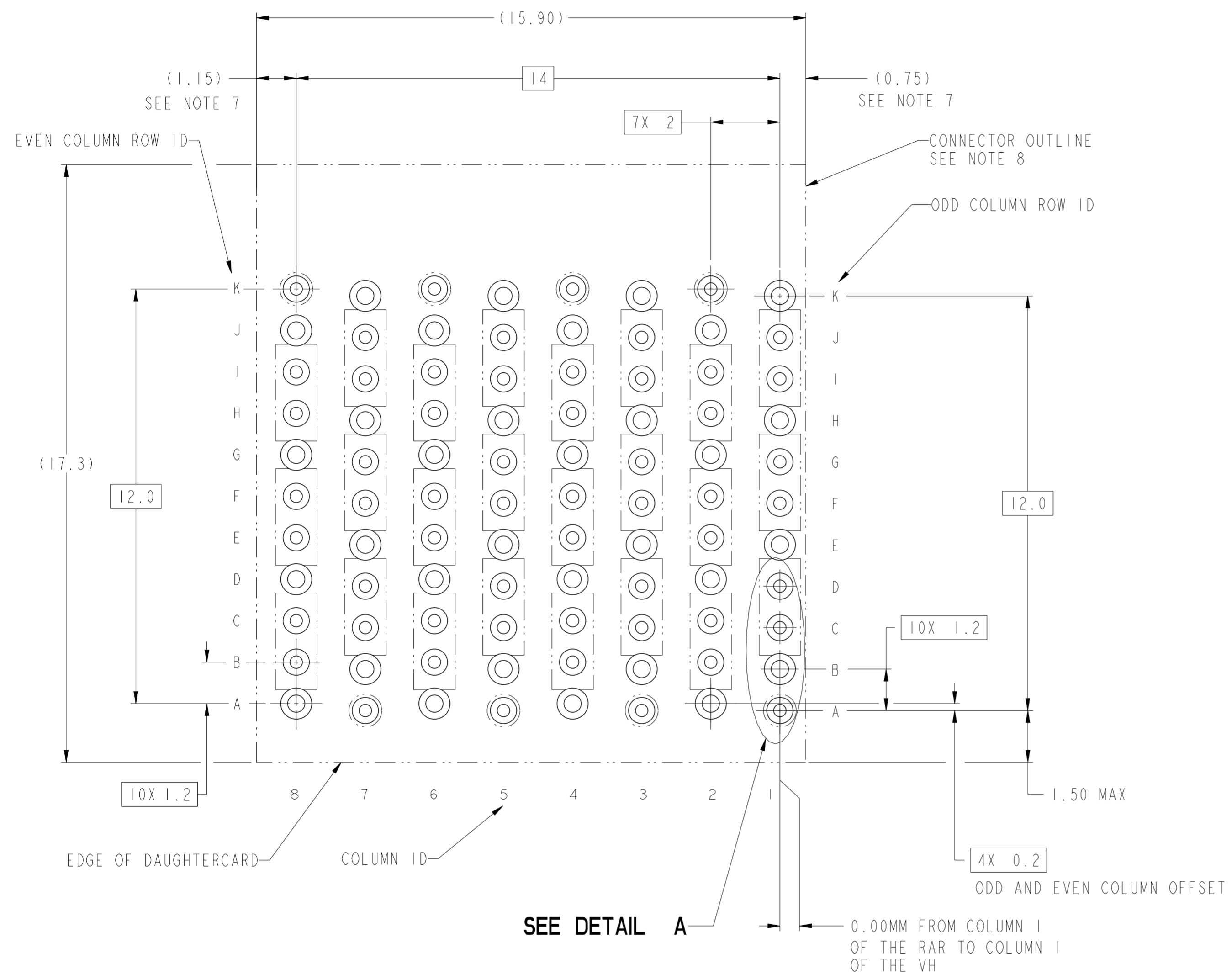


10124308-401LF
ADVANCED MATE/SHORT DETECT RECEPTACLE
ADVANCED MATE POSITIONS ARE POSITIONS A1 AND A7 ONLY
SHORT DETECT POSITION IS K2
FOR ALL DIMENSIONS SEE SHEET 1

Amphenol FCI

© 2016 AFCI

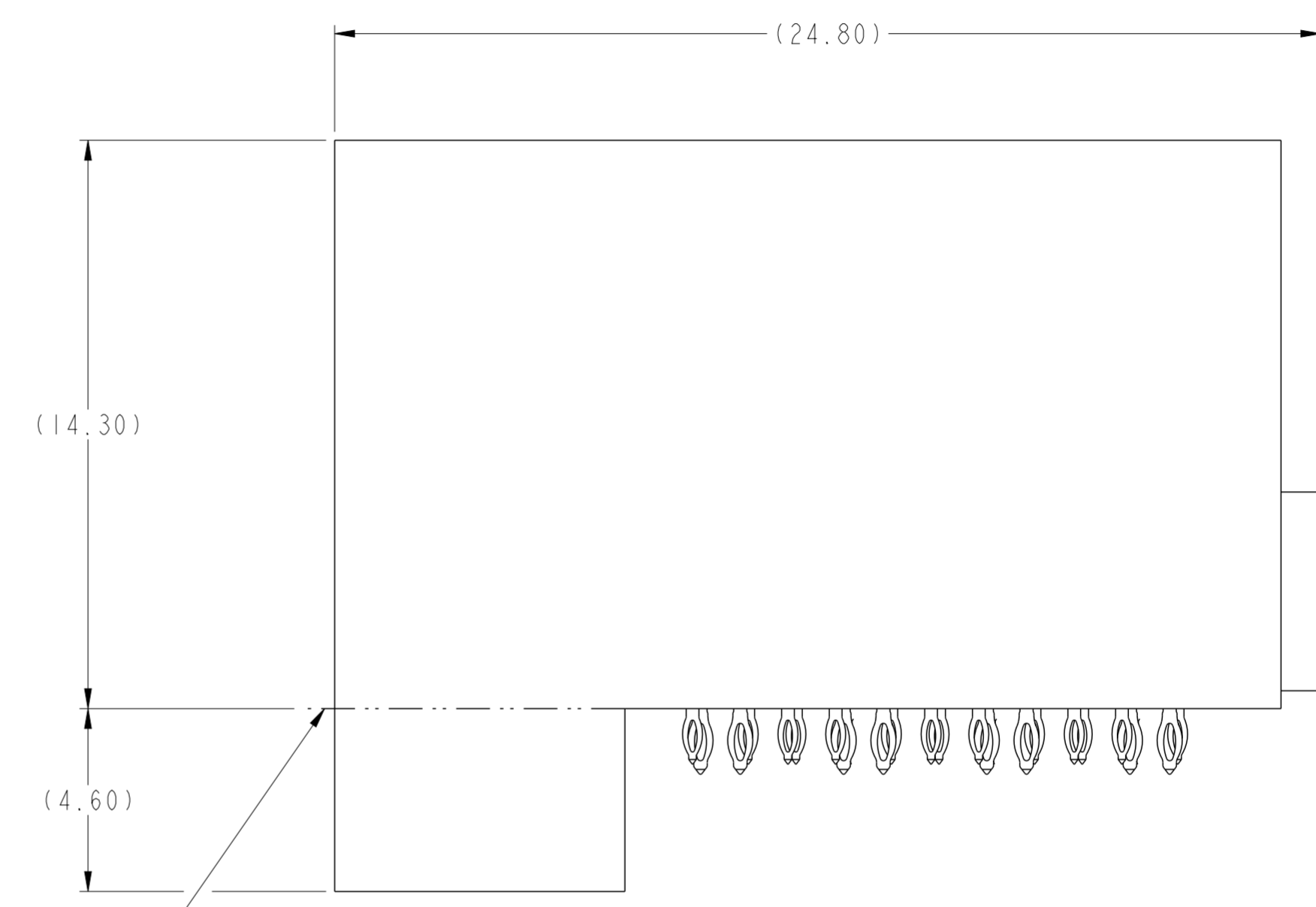
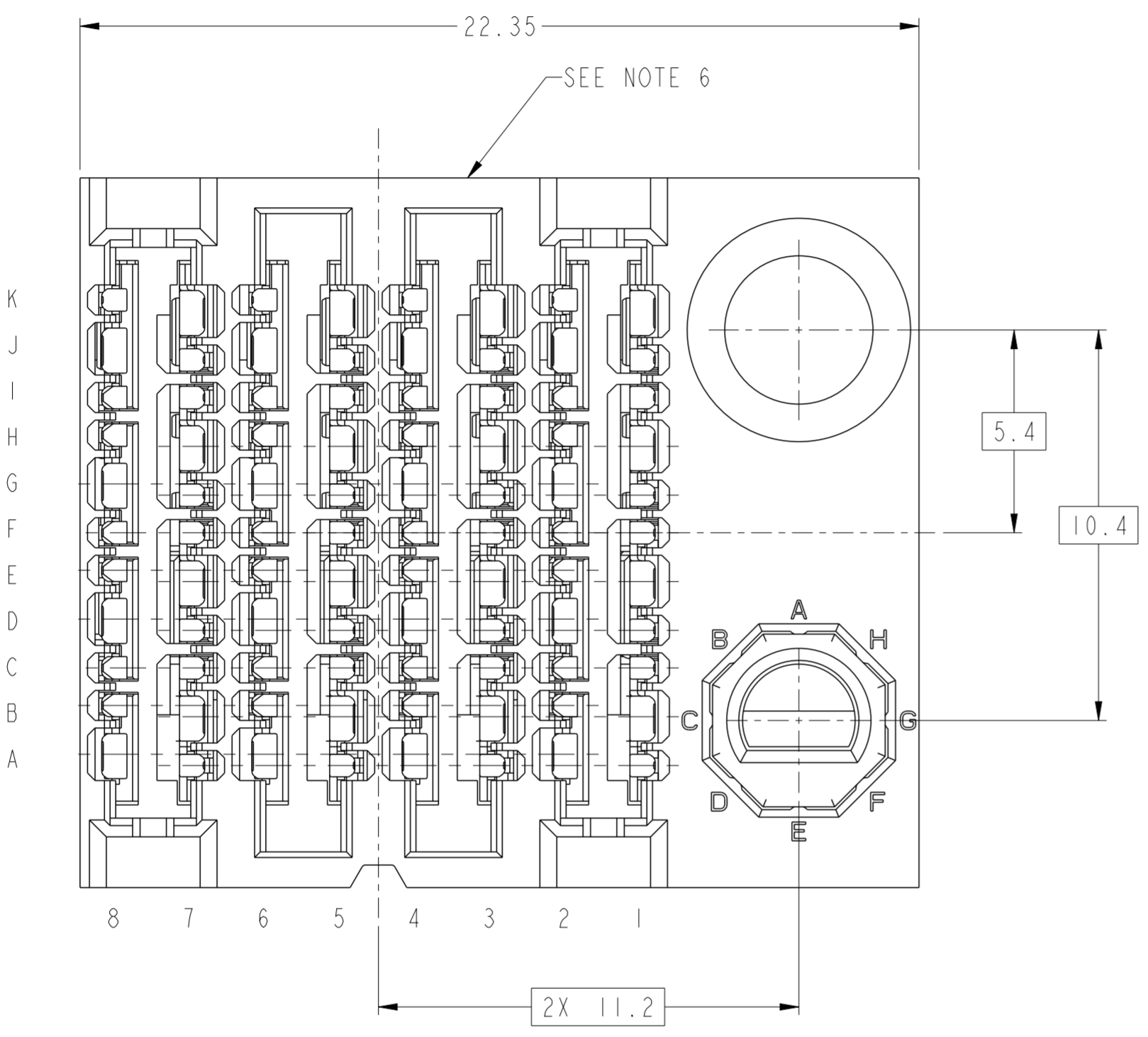
spec ref	SEE NOTES	dr	Heaven Cen	2013/05/14	projection	MM	size	A2	scale	7:1							
tolerance std	TOLERANCES UNLESS OTHERWISE SPECIFIED	eng	Terry Luo	2017/01/23			ecn no	-									
ASME Y14.5M		chr	Heaven Cen	2017/01/22			rel level	Released									
		appr	Pai-Ming Zheng	2017/01/23			product family	ExaMAX									
surface	<table border="1"> <tr> <td rowspan="3">-</td> <td rowspan="3">linear</td> <td>0.X</td> <td>±.3</td> </tr> <tr> <td>0.XX</td> <td>±.10</td> </tr> <tr> <td>0.XXX</td> <td>±.050</td> </tr> <tr> <td></td> <td>angular</td> <td>0°</td> <td>±°</td> </tr> </table>	-	linear	0.X	±.3	0.XX	±.10	0.XXX	±.050		angular	0°	±°		title ExaMAX R.A. RECEPTACLE ASS'Y, 3 PR, 88 POS, 8 IMLA	dwg no 10124308	rev A
-	linear			0.X	±.3												
				0.XX	±.10												
		0.XXX	±.050														
	angular	0°	±°														
		cat. no.	Product - Customer Drw		sheet 4 of 10												



DETAIL A
SCALE 20:1

10124308-Y01LF RECOMMENDED PCB LAYOUT
COMPONENT SIDE
NOTES 7, 8, 9, & 11
SCALE 10:1

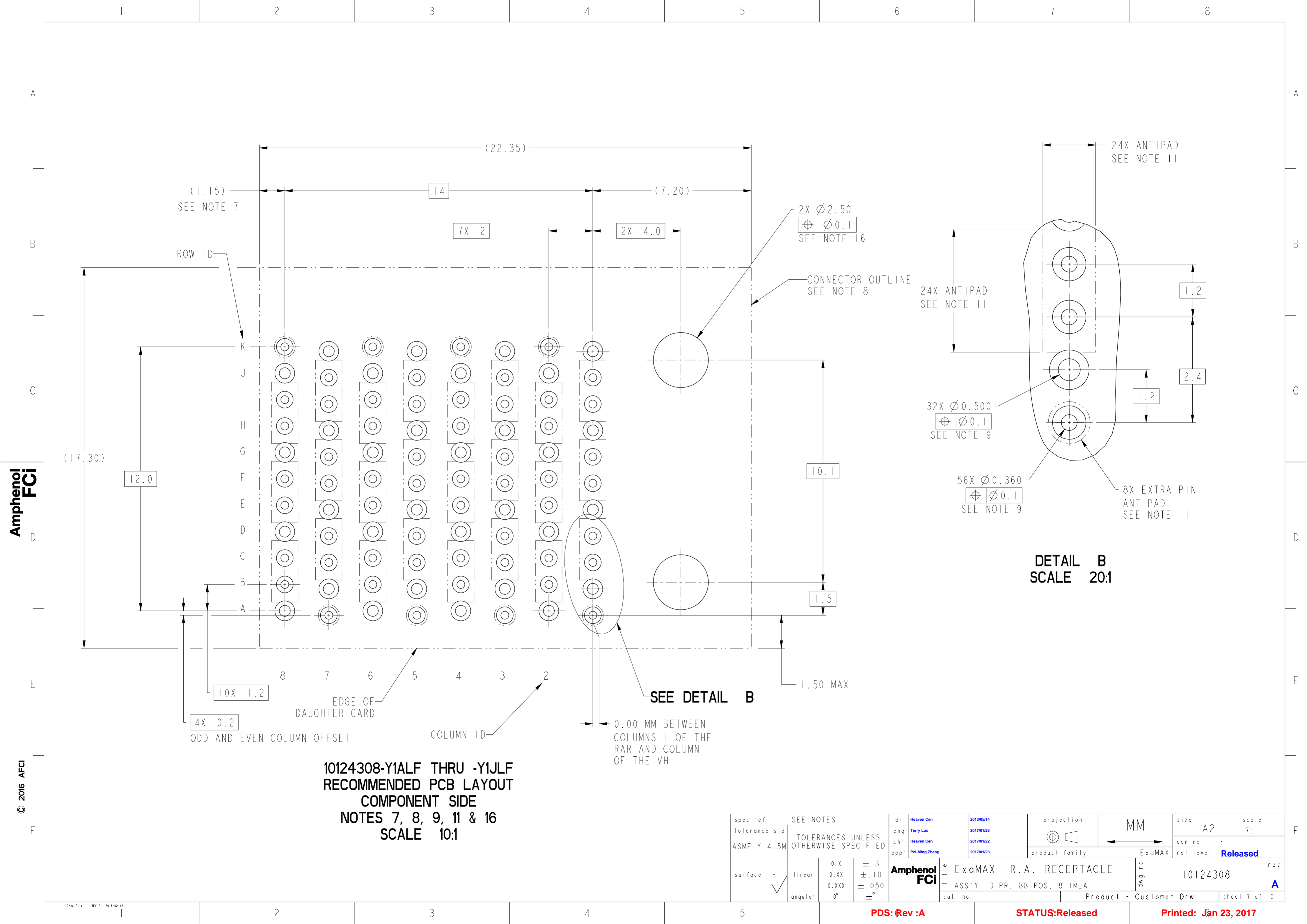
spec ref	SEE NOTES	dr	Heaven Cen	2013/05/14	projection	MM	size	A2	scale	7:1
tolerance std	TOLERANCES UNLESS OTHERWISE SPECIFIED	eng	Terry Luo	2017/01/23			ecn no	-	rel level	Released
ASME Y14.5M		chr	Heaven Cen	2017/01/22						
surface	linear	appr	Pai-Ming Zheng	2017/01/23	product family	ExaMAX	rel level	Released	rev	A
	angular				title	ExaMAX R.A. RECEPTACLE	cat. no.	10124308	Product - Customer Drw	sheet 5 of 10



TOP SURFACE
OF DAUGHTER CARD

10124308-Y1ALF THRU -Y1JLF
RIGHT GUIDANCE (SEE NOTE 17)
FOR ALL OTHER DIMENSIONS SEE SHEET 1

spec ref	SEE NOTES	dr	Heaven Cen	2013/05/14	projection	MM	size	A2	scale	7:1												
tolerance std	TOLERANCES UNLESS OTHERWISE SPECIFIED	eng	Terry Luo	2017/01/23			ecn no	-	rel level	Released												
ASME Y14.5M		chr	Heaven Cen	2017/01/22																		
surface	<table border="1"> <tr> <td>linear</td> <td>0.X</td> <td>±.3</td> </tr> <tr> <td></td> <td>0.XX</td> <td>±.10</td> </tr> <tr> <td></td> <td>0.XXX</td> <td>±.050</td> </tr> <tr> <td>angular</td> <td>0°</td> <td>±°</td> </tr> </table>	linear	0.X	±.3		0.XX	±.10		0.XXX	±.050	angular	0°	±°	appr	Pai-Ming Zheng	2017/01/23	product family	ExaMAX	rel level	Released	rev	A
linear	0.X	±.3																				
	0.XX	±.10																				
	0.XXX	±.050																				
angular	0°	±°																				
					title ExaMAX R.A. RECEPTACLE ASS'Y, 3 PR, 88 POS, 8 IMLA		dwg no 10124308		sheet 6 of 10													
		cat. no.			Product - Customer Drw																	



**10124308-Y1ALF THRU -Y1JLF
RECOMMENDED PCB LAYOUT
COMPONENT SIDE
NOTES 7, 8, 9, 11 & 16
SCALE 10:1**

**DETAIL B
SCALE 20:1**

spec ref	SEE NOTES	dr	Heaven Cen	2013/05/14	projection	MM	size	A2	scale	7:1
tolerance std	TOLERANCES UNLESS OTHERWISE SPECIFIED	eng	Terry Luo	2017/01/23			ecn no	-	rel level	Released
ASME Y14.5M		chr	Heaven Cen	2017/01/22						
		appr	Pai-Ming Zheng	2017/01/23						
surface	linear	0.X	±.3		product family		ExaMAX	title ExaMAX R.A. RECEPTACLE ASS'Y, 3 PR, 88 POS, 8 IMLA	dwg no 10124308	rev A
		0.XX	±.10		cat. no.		Product - Customer Drw			
		0.XXX	±.050		sheet 7 of 10					
	angular	0°	±°	PDS: Rev :A		STATUS:Released		Printed: Jan 23, 2017		

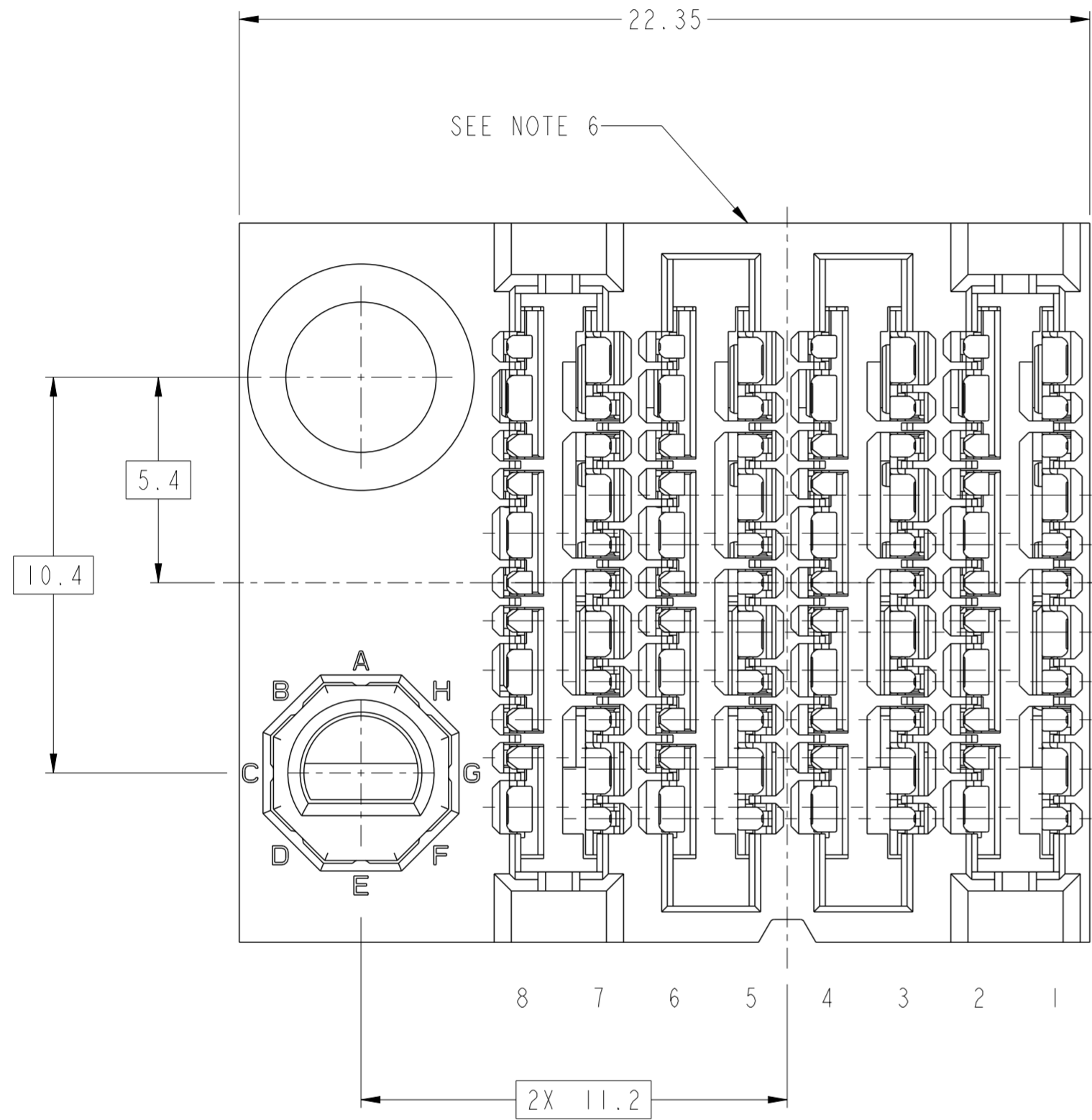
Amphenol
FCi

© 2016 AFci

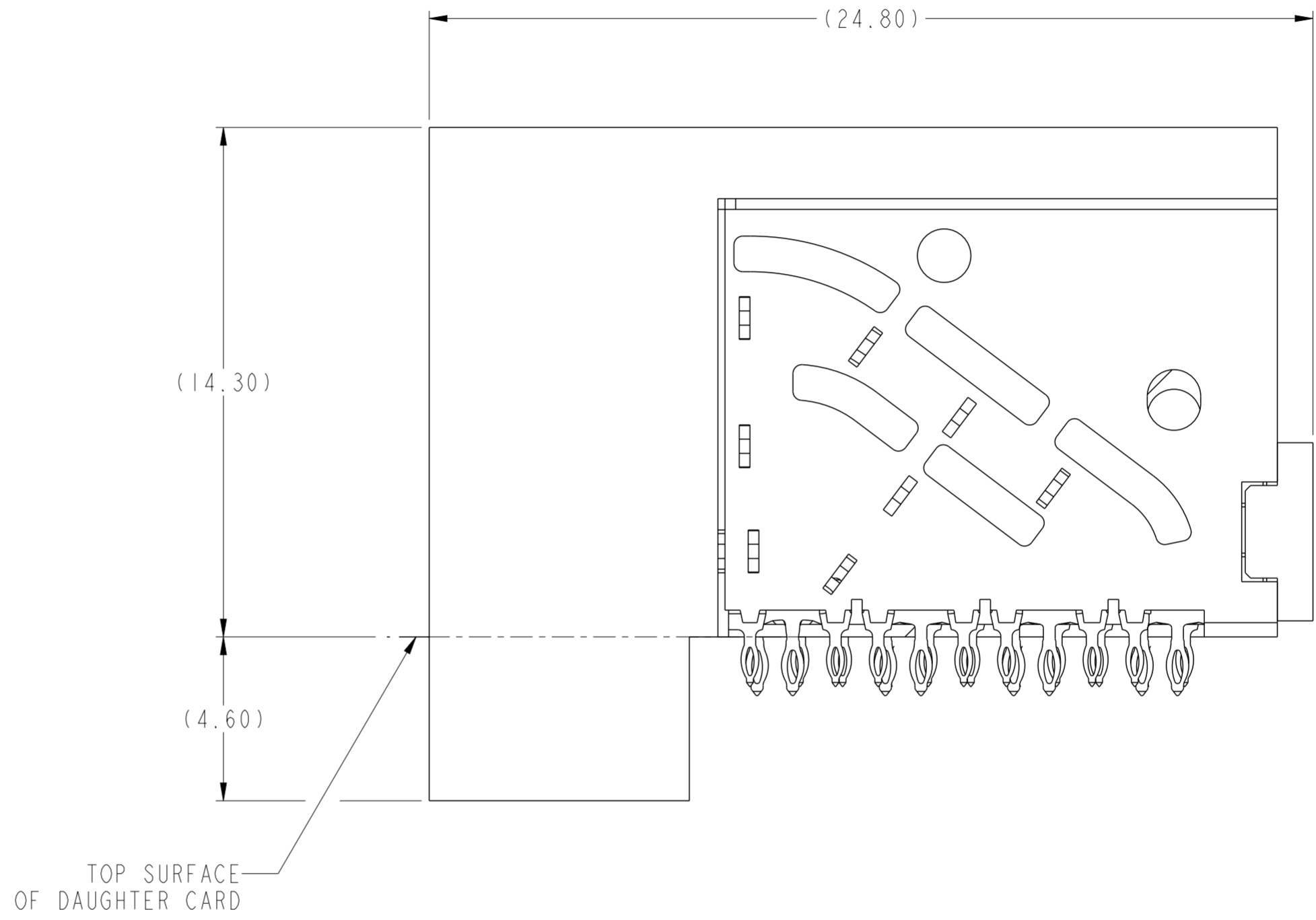
1 2 3 4 5 6 7 8

A B C D E F

A B C D E F



K
J
I
H
G
F
E
D
C
B
A



10124308-Y2ALF THRU -Y2JLF
LEFT GUIDANCE (SEE NOTE 17)
FOR ALL OTHER DIMENSIONS SEE SHEET 1

Amphenol
FCi

© 2016 AFCi

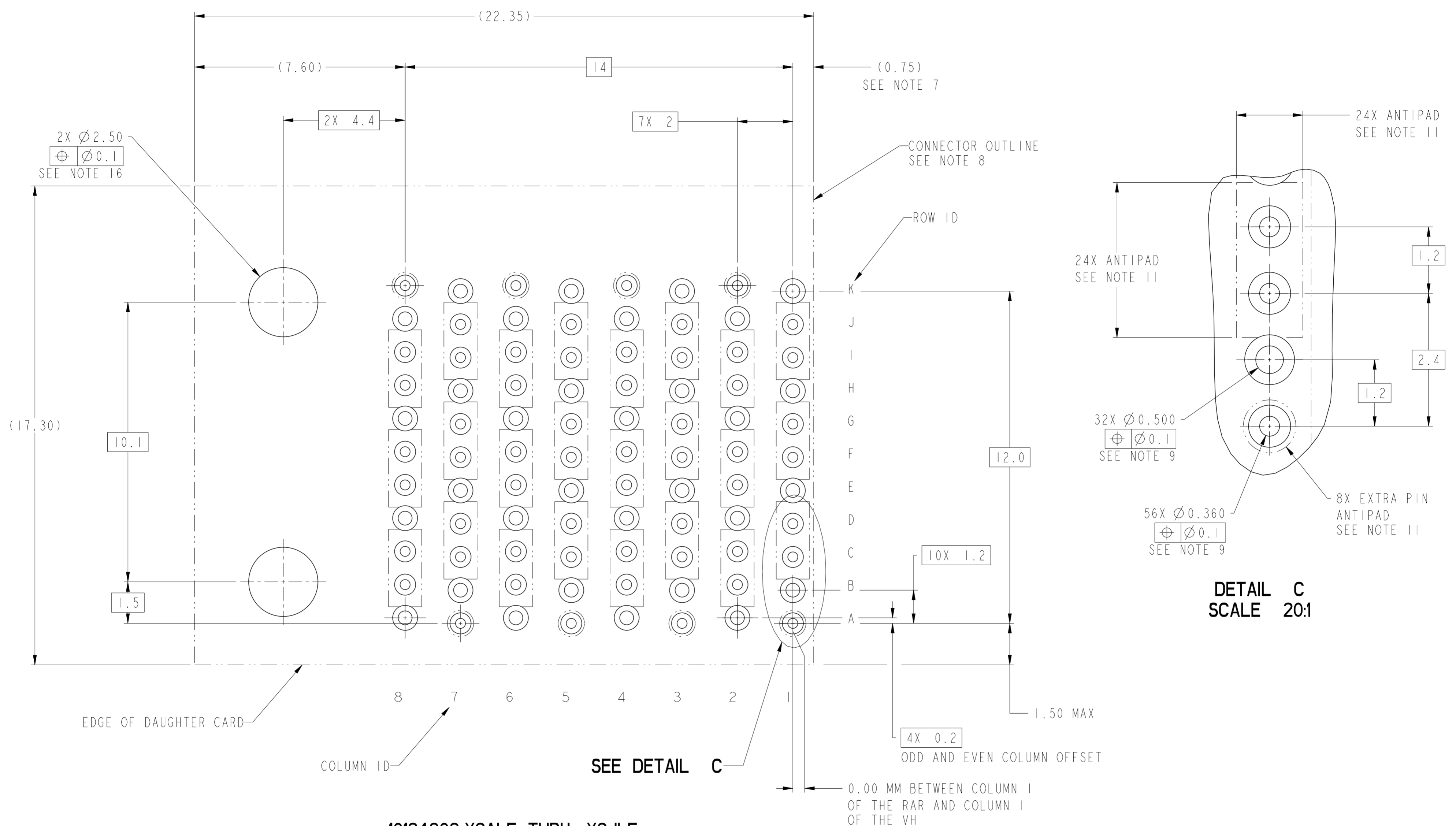
spec ref	SEE NOTES	dr	Heaven Cen	2013/05/14	projection	MM	size	A2	scale	7:1												
tolerance std	TOLERANCES UNLESS OTHERWISE SPECIFIED	eng	Terry Luo	2017/01/23			ecn no	-	rel level	Released												
ASME Y14.5M		chr	Heaven Cen	2017/01/22																		
surface	<table border="1"> <tr> <td>linear</td> <td>0.X</td> <td>±.3</td> </tr> <tr> <td></td> <td>0.XX</td> <td>±.10</td> </tr> <tr> <td></td> <td>0.XXX</td> <td>±.050</td> </tr> <tr> <td>angular</td> <td>0°</td> <td>±°</td> </tr> </table>	linear	0.X	±.3		0.XX	±.10		0.XXX	±.050	angular	0°	±°	appr	Pai-Ming Zheng	2017/01/23	product family	ExaMAX	rel level	Released		
linear	0.X	±.3																				
	0.XX	±.10																				
	0.XXX	±.050																				
angular	0°	±°																				
		Amphenol FCi	title			ExaMAX R.A. RECEPTACLE	dwg no	10124308	rev	A												
			cat. no.	Product - Customer Drw			sheet 8 of 10															

PDS: Rev :A

STATUS:Released

Printed: Jan 23, 2017

1 2 3 4 5



10124308-Y2ALF THRU -Y2JLF
RECOMMENDED PCB LAYOUT
COMPONENT SIDE
NOTES 7, 8, 9, 11 & 16
SCALE 10:1

spec ref	SEE NOTES	dr	Heaven Cen	2013/05/14	projection	MM	size	A2	scale	7:1
tolerance std	TOLERANCES UNLESS OTHERWISE SPECIFIED	eng	Terry Luo	2017/01/23			ecn no	-	rel level	Released
ASME Y14.5M		chr	Heaven Cen	2017/01/22						
		appr	Pai-Ming Zheng	2017/01/23						
surface	linear	0.X	±.3		product family		ExaMAX	title ExaMAX R.A. RECEPTACLE ASS'Y, 3 PR, 88 POS, 8 IMLA cat. no.	dwg no 10124308	rev A
		0.XX	±.10		Product - Customer Drw		sheet 9 of 10			
	angular	0°	±°							

10124308 - Y Y Y L F

ASSEMBLY PART NUMBER	DESCRIPTION
10124308-1YYLF	STANDARD MATE
10124308-2YYLF	ADVANCED MATE
10124308-3YYLF	SHORT DETECT
10124308-4YYLF	ADVANCED MATE & SHORT DETECT

MODULE DESCRIPTION	DESIGNATION REPRESENTED IN DASH NUMBER										BASE MODULE
	1A	1B	1C	1D	1E	1F	1G	1H	1J (NO KEY)		
WITHOUT END GUIDES MODULE (SEE SHEET 1)	01										
RIGHT GUIDANCE MODULE (SEE SHEET 6)											
LEFT GUIDANCE MODULE (SEE SHEET 8)											

NOTES:

- ① - CONNECTOR MATERIALS:
HOUSING: HIGH TEMP THERMOPLASTIC, BLACK, UL94-V0
IMLA PLASTIC: HIGH TEMP THERMOPLASTIC, BLACK, UL94-V0
CONTACT: COPPER ALLOY
ORGANIZER: HIGH TEMP THERMOPLASTIC, BLACK, UL94-V0
- 2 - CONTACT PLATING:
SEPARABLE INTERFACE:
PERFORMANCE-BASED PLATING, QUALIFIED TO MEET THE REQUIREMENTS OF FCI PRODUCT SPECIFICATION GS-12-1096 INCLUDING TELCORDIA GR-1217-CORE (NOVEMBER 1995) CENTRAL OFFICE TEST SEQUENCE

PRESS-FIT TAILS: TIN OVER NICKEL (LEAD FREE)
- 3 - PRODUCT SPECIFICATION: GS-12-1096
- 4 - APPLICATION SPECIFICATION GS-20-0361.
- 5 - PACKAGING MEETS GS-14-920 LEAD FREE LABELING SPECIFICATION.
- ⑥ - PRODUCT MARKING, (PROTOTYPE, PART NUMBER & LOT CODE), ON THIS SURFACE.
- ⑦ - THE MINIMUM VIA SPACING BETWEEN STACKED CONNECTORS IS 2.0 mm FOR THIS RAR AND THE MATING HEADER. REFER TO THE APPLICATION SPECIFICATION FOR DETAILS.
- ⑧ - CONNECTOR OUTLINE MAY BE SCREEN PRINTED ONTO CUSTOMER PCB TO BE USED AS A GUIDE FOR MANUAL CONNECTOR PLACEMENT.
- ⑨ - REFER TO CUSTOMER DRAWING 10119933 FOR INFORMATION ON PCB HOLE DIAMETERS AND PLATING OPTIONS
- 10 - THIS PRODUCT MEETS THE EUROPEAN UNION DIRECTIVES & OTHER COUNTRY REGULATIONS AS DESCRIBED IN GS-47-0004.
- ⑪ - REFER TO APPLICATION SPECIFICATION FOR TRACE ROUTING EXAMPLES THAT INCLUDE DIMENSIONS FOR ANTIPADS, TRACE WIDTH, TRACE SPACING, ETC.
- 12 - THE HOUSING WILL WITHSTAND EXPOSURE TO 260° C PEAK TEMPERATURE FOR 10-30 SECONDS IN A CONVECTION, INFRA-RED OR VAPOR PHASE REFLOW OVEN.
- ⑬ - THE ADVANCED MATE RECEPTACLE, 10124308-2XXLF, WHEN MATED WITH AN ADVANCED MATE VERTICAL HEADER OR AN ADVANCED MATE RIGHT-ANGLE HEADER WILL PROVIDE 2 PAIRS OF MATING CONTACTS THAT MATE 0.75MM BEFORE THE REMAINDER OF THE SIGNAL AND GROUND CONTACTS.

- ⑭ - THE SHORT DETECT RECEPTACLE, 10124308-3XXLF, WHEN MATED WITH A STANDARD MATE VERTICAL HEADER OR A STANDARD MATE RIGHT-ANGLE HEADER WILL PROVIDE 1 PAIR OF MATING CONTACTS THAT MATE 1.00MM AFTER THE REMAINDER OF THE SIGNAL AND GROUND CONTACTS.
- ⑮ - THE ADVANCE MATE/SHORT DETECT RECEPTACLE, 10124308-4XXLF, WHEN MATED WITH AN ADVANCED MATE VERTICAL HEADER OR AN ADVANCED MATE RIGHT-ANGLE HEADER WILL PROVIDE 2 PAIRS OF MATING CONTACTS THAT MATE 0.75MM BEFORE THE REMAINDER OF THE SIGNAL AND GROUND CONTACTS AND 1 PAIR OF MATING CONTACTS THAT MATE 1.00MM AFTER THE REMAINDER OF THE SIGNAL AND GROUND CONTACTS.
- ⑯ - FOR CONNECTORS WITH EITHER A RIGHT OR LEFT GUIDE MODULE, TWO PHILLIPS PAN HEAD M2 HOLD DOWN SCREWS MUST BE USED TO SECURE THE CONNECTOR TO THE PCB. THE SCREW LENGTH SHALL BE 2.0-6.0mm PLUS THE THICKNESS OF THE BOARD. SCREWS ARE NOT PROVIDED WITH CONNECTOR.
- ⑰ - LEFT / RIGHT INTEGRATED GUIDE ORIENTATION IS DETERMINED BY THE LOCATION OF THE GUIDE FEATURE WHEN LOOKING AT THE MATING FACE OF THE RIGHT ANGLE RECEPTACLE THAT IT MATES WITH (i. e. A RIGHT GUIDE VERTICAL HEADER MATES WITH A RIGHT GUIDE RIGHT ANGLE RECEPTACLE.)
- ⑱ - ALL GROUND CONTACTS ARE COMMONED WITHIN A COLUMN.

Amphenol FCI

© 2016 AFci

spec ref	SEE NOTES	dr	Heaven Cen	2013/05/14	projection	MM	size	A2	scale	1:1
tolerance std	TOLERANCES UNLESS OTHERWISE SPECIFIED	eng	Terry Luo	2017/01/23		←	ecn no	-	rel level	Released
ASME Y14.5M		chr	Heaven Cen	2017/01/22						
surface	linear	appr	Pei-Ming Zheng	2017/01/23	product family	ExaMAX	rel level	Released	cat. no.	10124308
	angular				title	ExaMAX R.A. RECEPTACLE	rev	A	Product - Customer Drw	sheet 10 of 10