

NOTES:

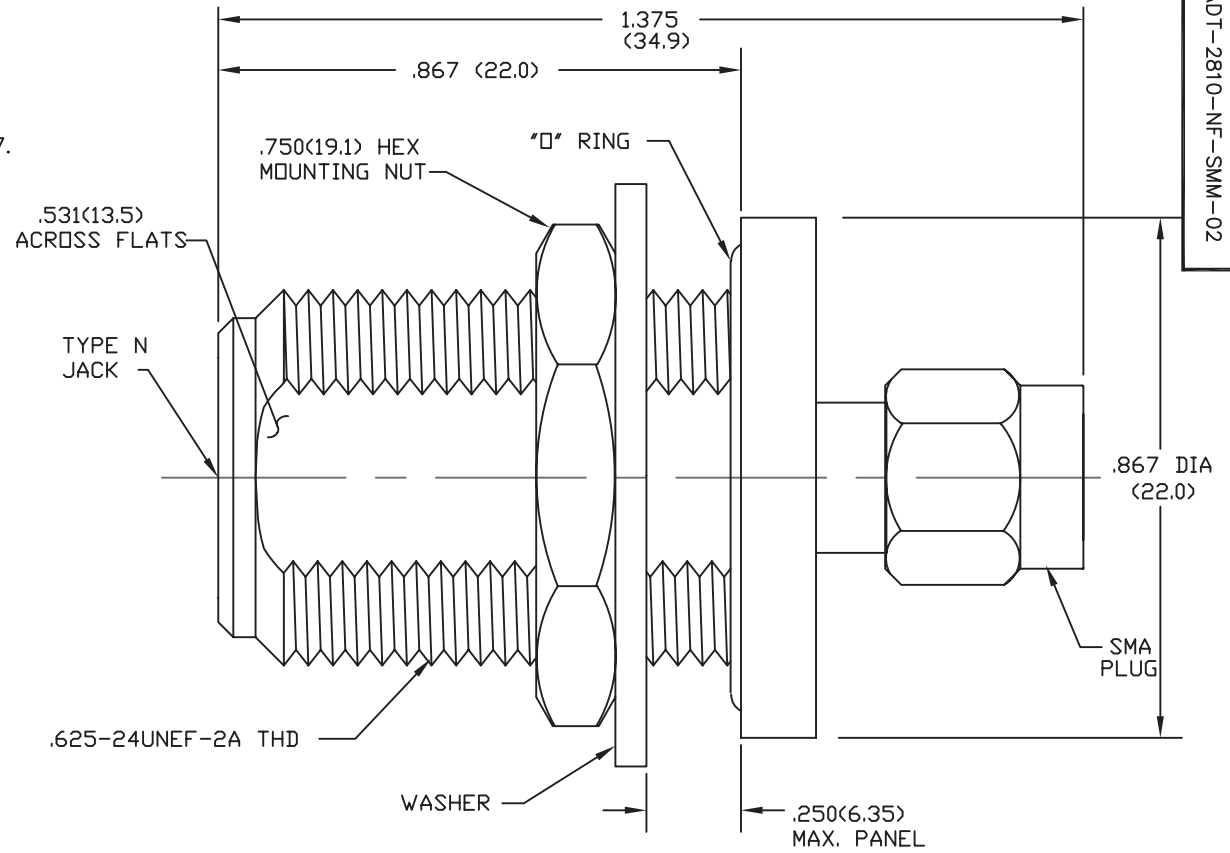
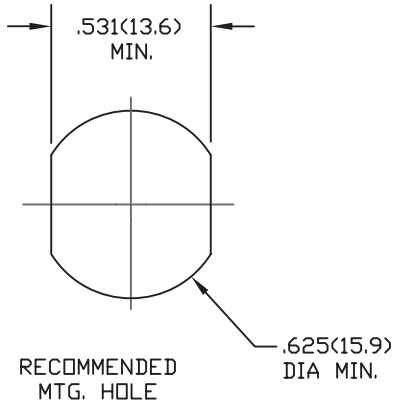
1.0 MATERIALS:

- 1.1 HOUSING, NUT & WASHER: STAINLESS STEEL PER ASTM-A582, TYPE 303
- 1.2 CENTER CONTACT: BERYLLIUM COPPER ROD ALLOY C172, PER ASTM-B196.
- 1.3 DIELECTRIC: PTFE FLUOROCARBON PER ASTM-D1457.

2.0 PLATING:

- 2.1 HOUSING, NUT & WASHER: PASSIVATED PER MIL-F-14072 AND QQ-P-35
- 2.2 CENTER CONTACT: GOLD PER MIL-G-45204, TYPE II, CLASS 2.

MODEL NUMBER
ADT-2810-NF-SMM-02




REV.	DESCRIPTION	DATE
-	RELEASED	9/29/98
-1	REPRINT	1/22/04

NOTICE: The information contained in this drawing is proprietary and must not be used without the permission of Cinch Connectivity Solutions.

UNLESS OTHERWISE NOTED DIMENSIONS ARE IN INCHES AND TOLERANCES ARE:

3 PLACE DECIMALS ±.005
2 PLACE DECIMALS ±.02
FRACTIONS ±1/64
PARALLELITY: T.I.R.
FLATNESS: T.I.R.
CONCENTRICITY: T.I.R.
ANGLES AND PERPENDICULARITY: ±1°

CAGE CODE 34078		MIDWEST MICROWAVE	
 <p>cinch CONNECTIVITY SOLUTIONS a bel group</p>		TITLE ADAPTER OUTLINE DRAWING	
		DRAWN/DATE L.BROWN 9/25/98	ENG./DATE G.KOZAK 9/29/98
CHECKED/DATE		APPROVED/DATE	
SCALE: 5=1		SHEET 1 of 1	