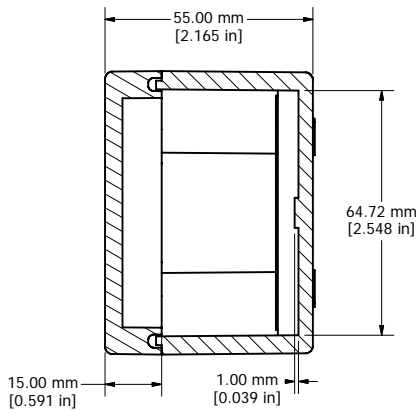
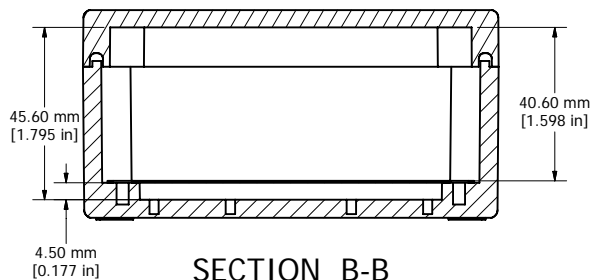
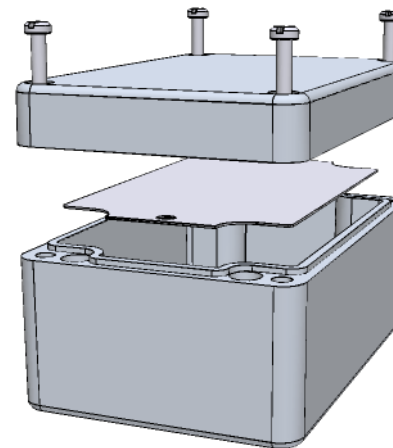


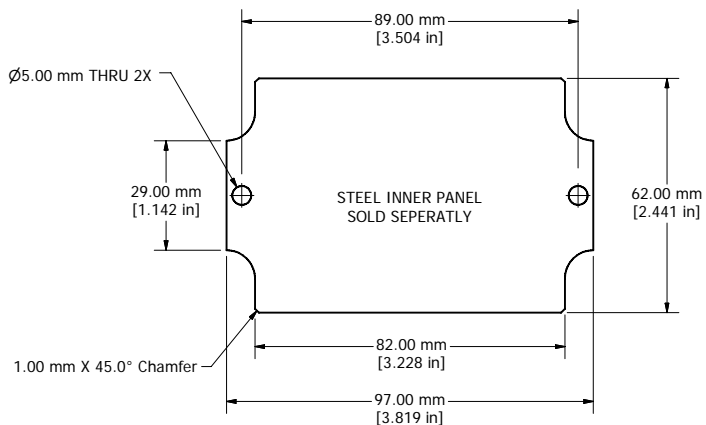
ASSEMBLY



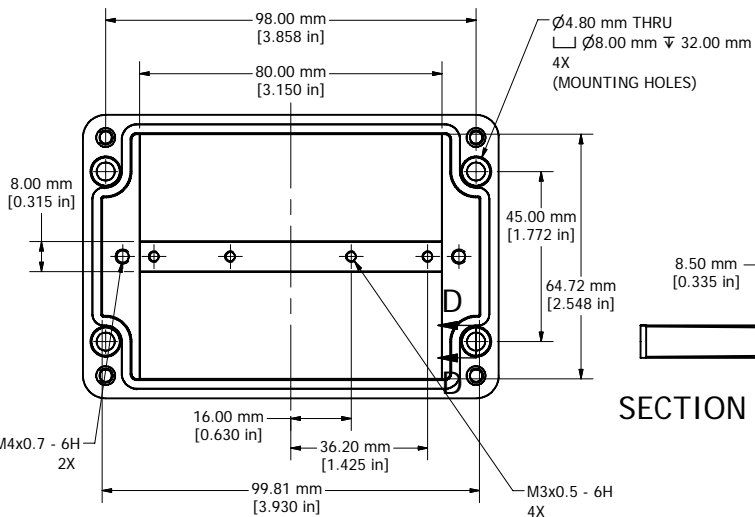
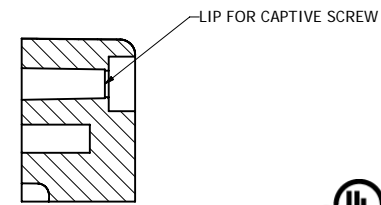
SECTION A-A



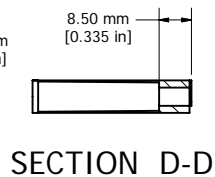
SECTION B-B



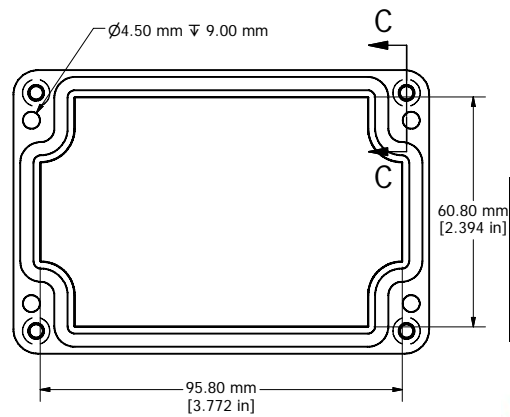
INNER PANEL



BOX - INSIDE



SECTION D-D



LID - INSIDE

SECTION C-C



File #E65324
NEMA 4, 4X

FIBERGLASS ENCLOSURE	
INCLUDES	
1	ENCLOSURE
4	M4 x 25mm PAN HEAD SCREWS
ACCESSORIES	
STEEL INNER PANEL	1590ZGRP082PL



HAMMOND
MANUFACTURING™

1590ZGRP082

www.hammondmfg.com