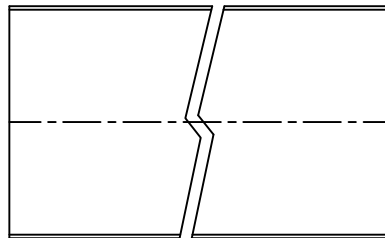
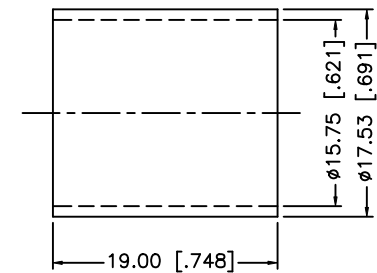
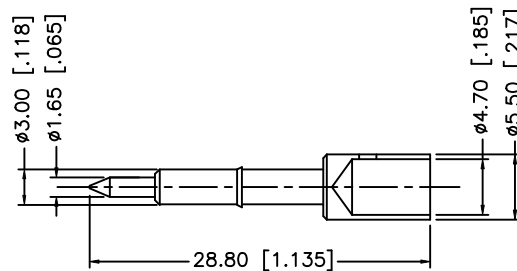
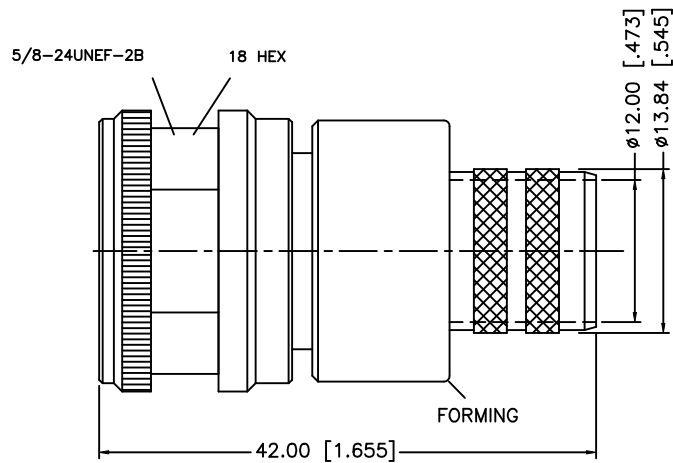
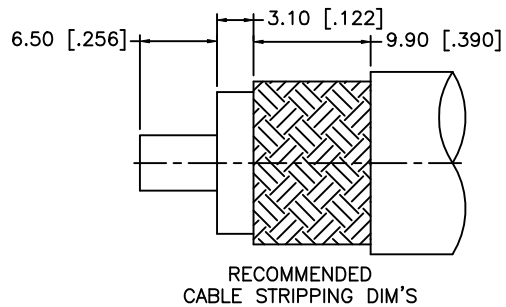


REV.	DATE	DESCRIPTION
NC	02/20/07	INITIAL RELEASE



NOTE:

1. CRIMPED FERRULE HEX CRMP SIZE .600"
2. CONTACT PIN TO SOLDER.

8				
7				
6				
5	HEAT SHRINK TUBE			
4	FERRULE	COPPER	NEXCOTE	1
3	CONTACT PIN	BRASS	GOLD	1
2	INSULATOR	TEFLON	NATURAL	1
1	BODY	BRASS	NEXCOTE	1
	DESCRIPTION	MATERIAL	FINISH	QTY

UNLESS OTHERWISE SPECIFIED DIMENSIONS ARE IN MILLIMETERS. DIMENSIONS IN [] ARE IN INCHES AND FOR CUSTOMER REFERENCE ONLY.

UNLESS OTHERWISE SPECIFIED TOLERANCES FOR MILLIMETERS ARE:
0.5 - 8mm ± 0.20mm
8 - 30mm ± 0.40mm
30 - 120mm ± 0.50mm

UNLESS OTHERWISE SPECIFIED TOLERANCES FOR INCHES ARE:
.020 - .315 = ± 0.007"
.315 - 1.180 = ± 0.015"
1.180 - 4.724 = ± 0.020"

DO NOT SCALE DRAWING

APPROVALS		DATE
DRAWN	G.R.S.	02/20/07
CHECKED		
ISSUED		
SHEET	1 OF 1	
CAD FILE	C:/172/172206-10.DWG	

Amphenol Connex

PART DESCRIPTION				
N CRIMP PLUG - SP. HEX NUT (LMR 600 CABLE)				
PART NO. 172206-10				
DWG. NO.	172206-10.DWG	REV.	NC	SCALE NA