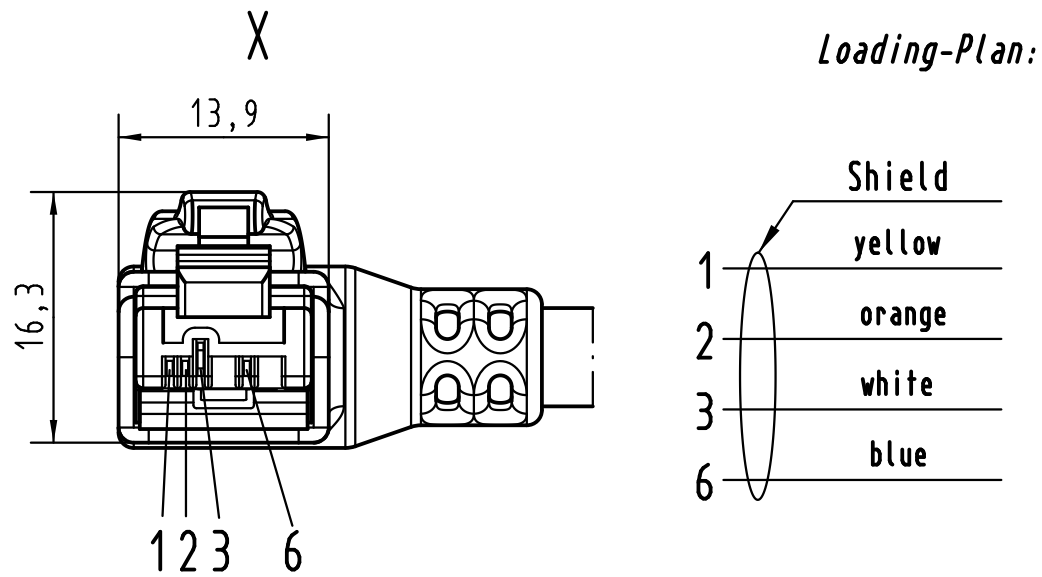
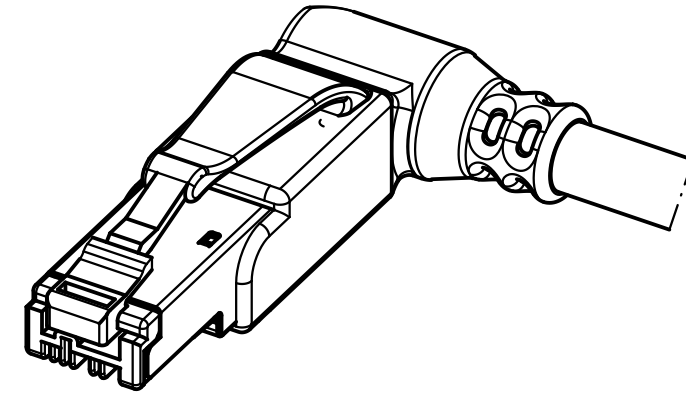
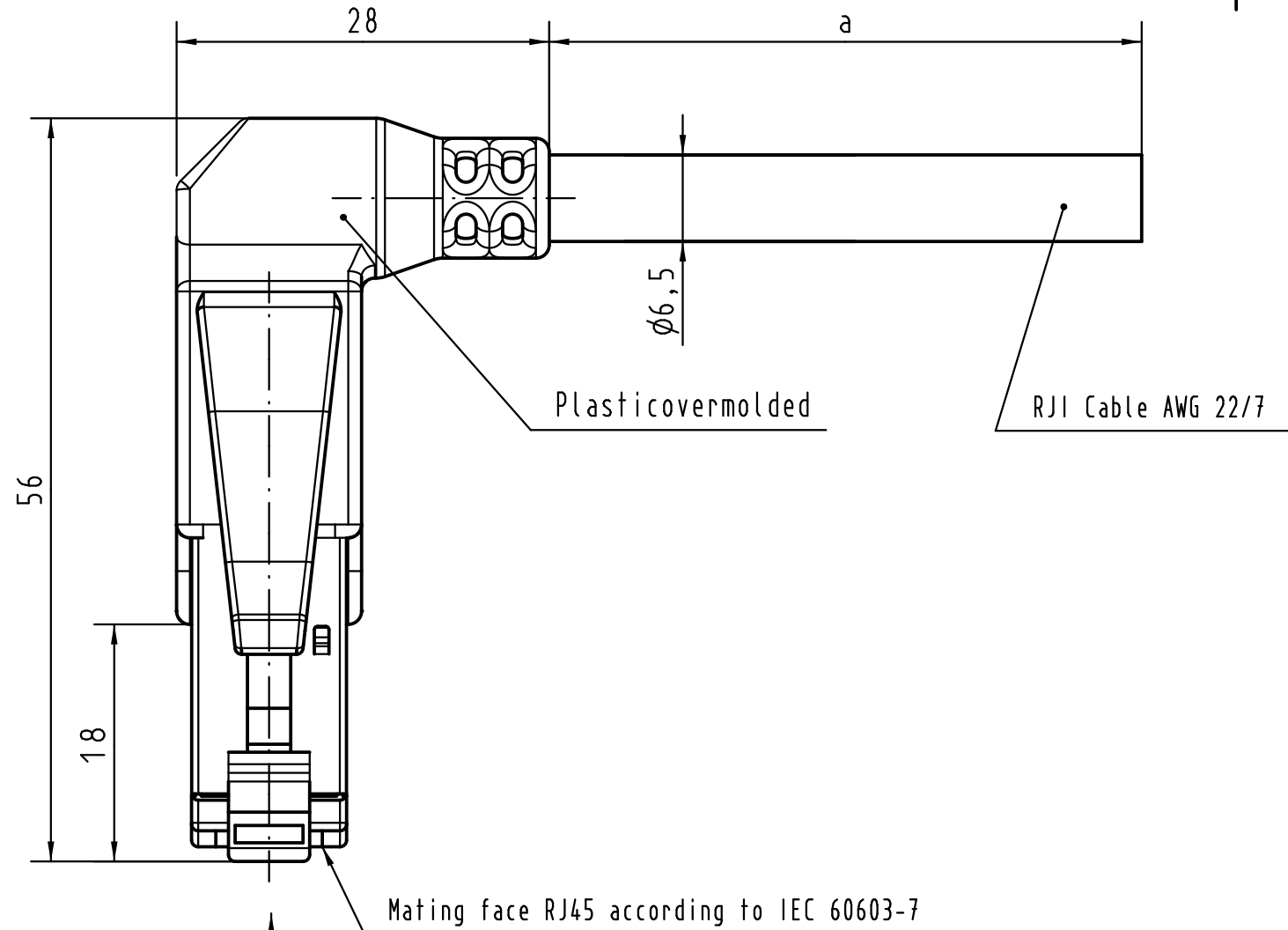
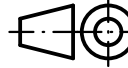



Alle Rechte vorbehalten/ All rights reserved



-Transmission properties in accordance with ISO/IEC 11801:2002: Class D.
 -Protection level: IP20
 -Temperature range: -40°C ...+70°C

 All Dimensions in mm Original Size DIN A 3			Techn. Character.			Nicht tolerierte Maß/Free size tolerances	
				Dat.	Name	Maßstab/Scale 2:1	RJ45 cord IP20, 90° angled overmoulding 1xRJ45, 180° Position, CAT5
	Detail.	29.09.05 MR					
	Insp.	29.09.05 RA					
DRS490A	06.04.09	MS	Stand.				
32762	15.12.05	MS					
32755							
Mod.	Dat.	Name	HARTING Electronics GmbH & Co. KG D-32339 ESPELKAMP			TB 09 47 05 00 0xx	
						Blatt/ page Sub.	

Alle Rechte vorbehalten/ All rights reserved

	1	2	3	4
	cont-No.	Part-No.	Type of cable	Dim. a
A	1	09 47 05 00 001	AWG 22/1 solid	0,5 m
	2	09 47 05 00 002	AWG 22/1 solid	1 m
	3	09 47 05 00 003	AWG 22/1 solid	1,5 m
	4	09 47 05 00 004	AWG 22/1 solid	2 m
	5	09 47 05 00 005	AWG 22/1 solid	3 m
	6	09 47 05 00 006	AWG 22/1 solid	4 m
	7	09 47 05 00 007	AWG 22/1 solid	5 m
	8	09 47 05 00 008	AWG 22/1 solid	6 m
	9	09 47 05 00 009	AWG 22/1 solid	7 m
B	10	09 47 05 00 010	AWG 22/1 solid	8 m
	11	09 47 05 00 011	AWG 22/1 solid	9 m
	12	09 47 05 00 012	AWG 22/1 solid	10 m
	13	09 47 05 00 013	AWG 22/1 solid	15 m
	14	09 47 05 00 014	AWG 22/1 solid	20 m
	15	09 47 05 00 015	AWG 22/1 solid	30 m
	16	09 47 05 00 016	AWG 22/1 solid	40 m
	17	09 47 05 00 017	AWG 22/1 solid	50 m
	18	09 47 05 00 018	AWG 22/1 solid	60 m
	19	09 47 05 00 019	AWG 22/1 solid	70 m
C	20	09 47 05 00 020	AWG 22/1 solid	80 m
	21	09 47 05 00 021	AWG 22/1 solid	90 m
	22	09 47 05 00 022	AWG 22/1 solid	100 m
	23	09 47 05 00 023	AWG 22/7 stranded	0,5 m
	24	09 47 05 00 024	AWG 22/7 stranded	1 m
	25	09 47 05 00 025	AWG 22/7 stranded	1,5 m
	26	09 47 05 00 026	AWG 22/7 stranded	2 m
	27	09 47 05 00 027	AWG 22/7 stranded	3 m
	28	09 47 05 00 028	AWG 22/7 stranded	4 m
D	29	09 47 05 00 029	AWG 22/7 stranded	5 m
	30	09 47 05 00 030	AWG 22/7 stranded	6 m
	31	09 47 05 00 031	AWG 22/7 stranded	7 m
	32	09 47 05 00 032	AWG 22/7 stranded	8 m
	33	09 47 05 00 033	AWG 22/7 stranded	9 m
	34	09 47 05 00 034	AWG 22/7 stranded	10 m
	35	09 47 05 00 035	AWG 22/7 stranded	15 m
	36	09 47 05 00 036	AWG 22/7 stranded	20 m
	37	09 47 05 00 037	AWG 22/7 stranded	30 m
	38	09 47 05 00 038	AWG 22/7 stranded	40 m
E	39	09 47 05 00 039	AWG 22/7 stranded	50 m
	40	09 47 05 00 040	AWG 22/7 stranded	60 m
	41	09 47 05 00 041	AWG 22/7 stranded	70 m
	42	09 47 05 00 042	AWG 22/7 stranded	80 m
	43	09 47 05 00 043	AWG 22/7 stranded	90 m
	44	09 47 05 00 044	AWG 22/7 stranded	100 m
	45	09 47 05 00 045	AWG 22/7 trailing	0,5 m
	46	09 47 05 00 046	AWG 22/7 trailing	1 m
	47	09 47 05 00 047	AWG 22/7 trailing	1,5 m
F	48	09 47 05 00 048	AWG 22/7 trailing	2 m
	49	09 47 05 00 049	AWG 22/7 trailing	3 m
	50	09 47 05 00 050	AWG 22/7 trailing	4 m

	6	7	8
	cont-No.	Part-No.	Dim. a
	51	09 47 05 00 051	5 m
	52	09 47 05 00 052	6 m
	53	09 47 05 00 053	7 m
	54	09 47 05 00 054	8 m
	55	09 47 05 00 055	9 m
	56	09 47 05 00 056	10 m
	57	09 47 05 00 057	15 m
	58	09 47 05 00 058	20 m
	59	09 47 05 00 059	30 m
	60	09 47 05 00 060	40 m
	61	09 47 05 00 061	50 m
	62	09 47 05 00 062	60 m
	63	09 47 05 00 063	70 m
	64	09 47 05 00 064	80 m
	65	09 47 05 00 065	90 m
	66	09 47 05 00 066	100 m
	67	09 47 05 00 067	0,5 m
	68	09 47 05 00 068	1 m
	69	09 47 05 00 069	1,5 m
	70	09 47 05 00 070	2 m
	71	09 47 05 00 071	3 m
	72	09 47 05 00 072	4 m
	73	09 47 05 00 073	5 m
	74	09 47 05 00 074	6 m
	75	09 47 05 00 075	7 m
	76	09 47 05 00 076	8 m
	77	09 47 05 00 077	9 m
	78	09 47 05 00 078	10 m
	79	09 47 05 00 079	15 m
	80	09 47 05 00 080	20 m
	81	09 47 05 00 081	30 m
	82	09 47 05 00 082	40 m
	83	09 47 05 00 083	50 m
	84	09 47 05 00 084	60 m
	85	09 47 05 00 085	70 m
	86	09 47 05 00 086	80 m
	87	09 47 05 00 087	90 m
	88	09 47 05 00 088	100 m

	All Dimensions in mm Original Size DIN A 3		Techn. Character.			Nicht tolerierte Maß/Free size tolerances	
				Dat.	Name	Maßstab/Scale 2:1	RJ45 cord IP20, 90° angled overmoulding 1xRJ45, 180° Position, CAT5
			Detail.	29.09.05	MR		
			Insp.	29.09.05	RA		
			Stand.				
DRS490A	06.04.09	MS	HARTING Electronics GmbH & Co. KG				TB 09 47 05 00 0xx
32762	15.12.05	MS	D-32339 ESPELKAMP				
32755							Blatt/ page 2/2
Mod.	Dat.	Name					