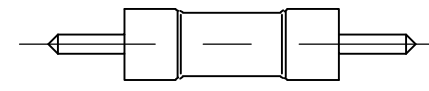


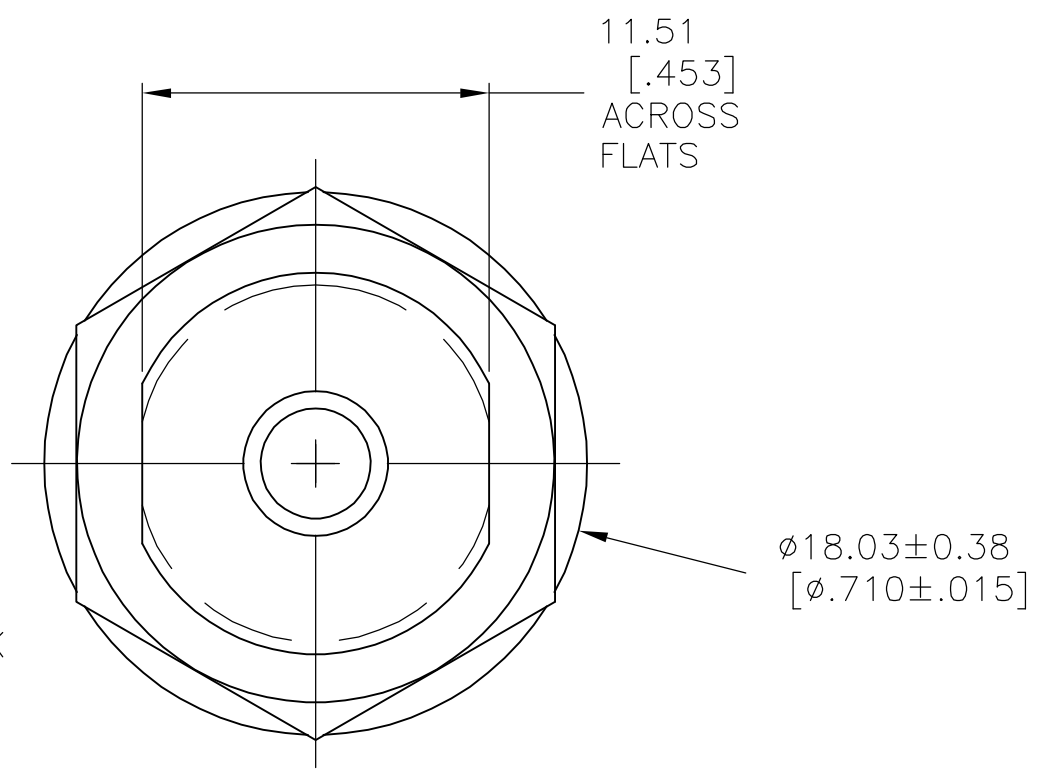
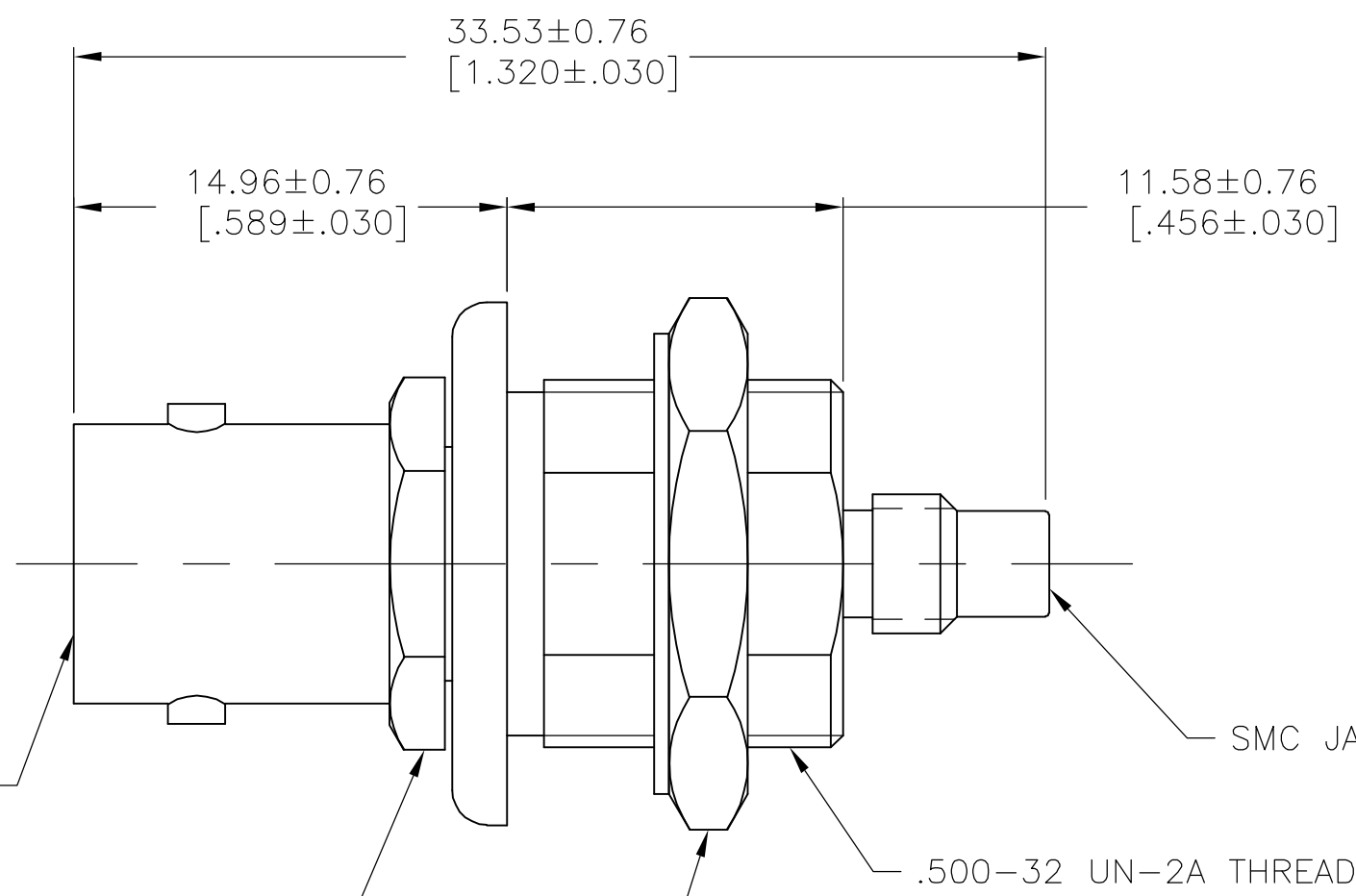
THIS DRAWING IS UNPUBLISHED. RELEASED FOR PUBLICATION
 © COPYRIGHT BY TYCO ELECTRONICS CORPORATION. ALL RIGHTS RESERVED.

LOC	DIST	REVISIONS			
P	LTR	DESCRIPTION	DATE	DWN	APVD
	A1	REVISED PER ECO-06-002179.	09JAN2006	JGH	JGH



FUSE DETAIL
1406609-1

- 1 MATERIALS:
 HOUSING, MOUNTING NUT: BRASS PER ASTM B 16
 DIELECTRIC: PTFE PER ASTM D 1710
 CENTER CONTACT: BERYLLIUM COPPER PER ASTM B 196
 LOCKWASHER: PHOSPHOR BRONZE PER ASTM B 103
- 2 FINISHES:
 HOUSING, MOUNTING NUT, LOCKWASHER: NICKEL PLATE PER QQ-N-290
 CENTER CONTACT: GOLD PLATE PER ASTM B 488



BNC JACK

SMC JACK

1058120-1
PART NUMBER

THIS DRAWING IS A CONTROLLED DOCUMENT.		DWN J. HAVENER 09JAN2006	Tyco Electronics Corporation Harrisburg, PA 17105-3608		
DIMENSIONS: mm [INCHES]		CHK J. HAVENER 09JAN2006			
TOLERANCES UNLESS OTHERWISE SPECIFIED:		APVD J. HAVENER 09JAN2006	NAME FUSE HOLDER ADAPTER BNC JACK TO SMC JACK BULKHEAD (3284-3201-10)		
0 PLC ± - 1 PLC ± - 2 PLC ± 0.13 [.005] 3 PLC ± - 4 PLC ± - ANGLES ± 1°		PRODUCT SPEC -	SIZE A3	CAGE CODE 00779	DRAWING NO 1058120
MATERIAL 1		FINISH 2	APPLICATION SPEC -	RESTRICTED TO -	SCALE 4:1
CUSTOMER DRAWING			SHEET 1 of 1	REV A1	