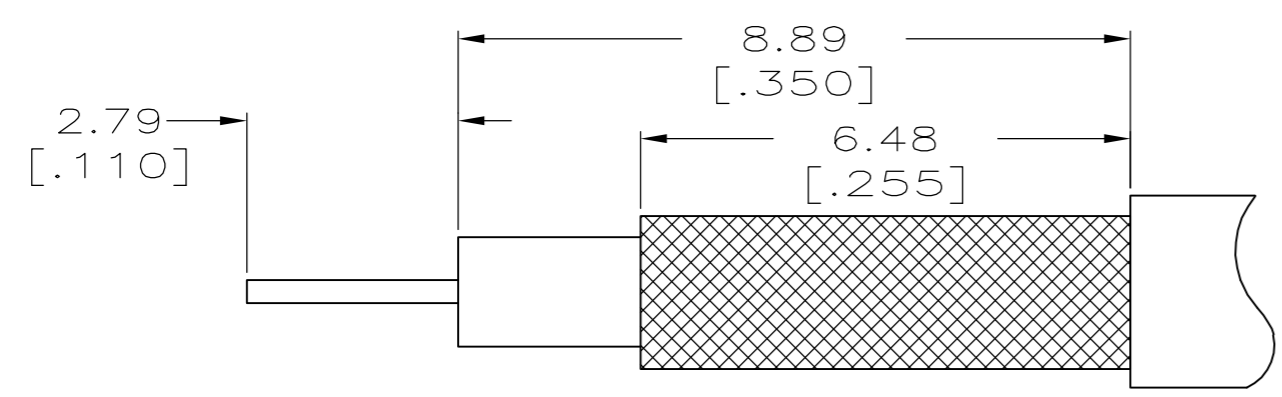
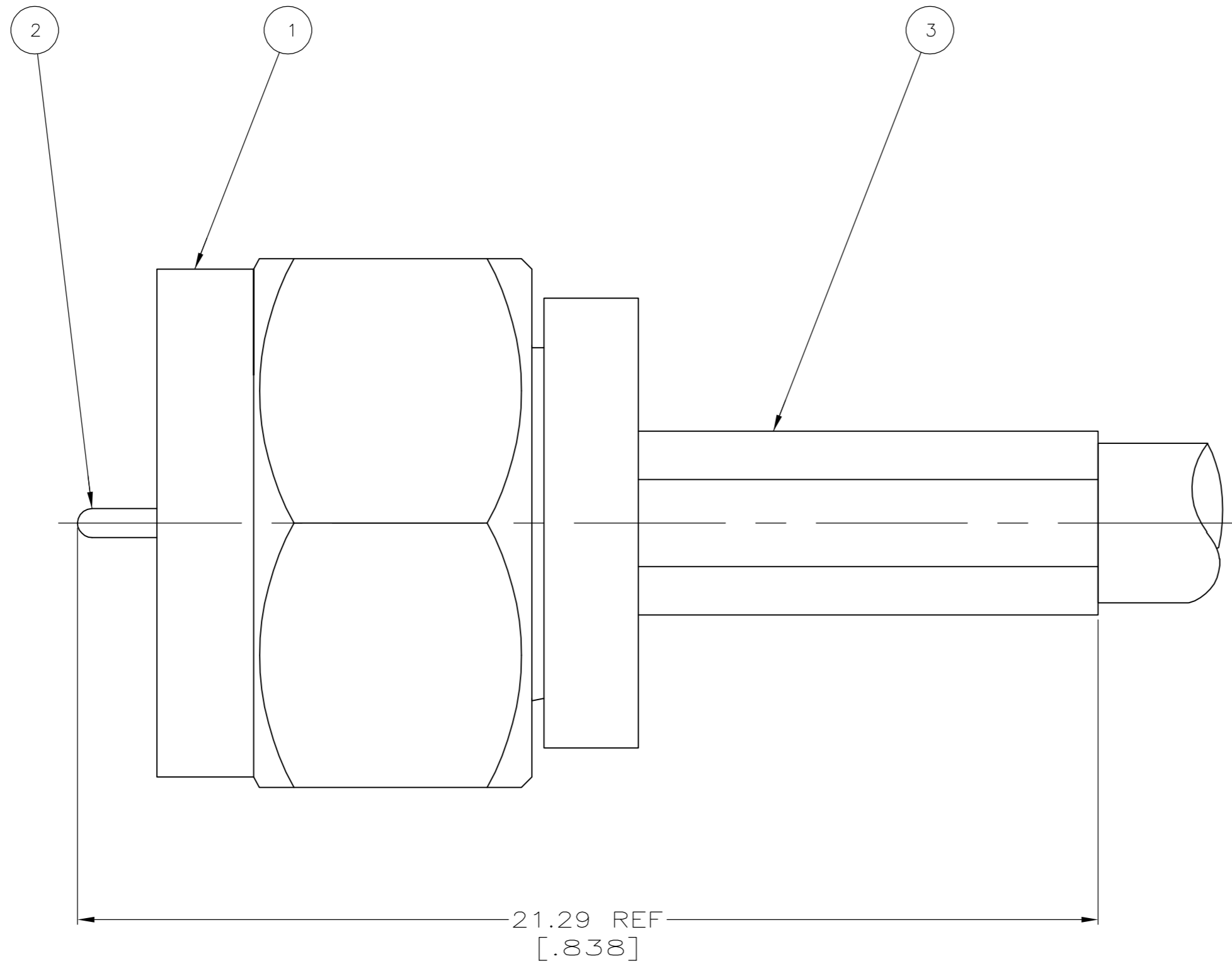


THIS DRAWING IS UNPUBLISHED. RELEASED FOR PUBLICATION
 © COPYRIGHT BY TYCO ELECTRONICS CORPORATION. ALL RIGHTS RESERVED.

LOC	DIST	REVISIONS					
		P	LTR	DESCRIPTION	DATE	DWN	APVD
AF	49	0		REV PER EC-0S14-0496-04	01FEB2005	GA	KW

△1 FOR USE WITH RG-179 COAXIAL CABLE.
 △2 TERMINATION TOOLING:
 BRAID: M 22520/5-01 WITH DANIELS DIE SET HX4-1637(.128 HEX).
 CONTACT: M 22520/2-01 WITH DANIELS POSITIONER K727, POS. 2.



RECOMMENDED STRIP LENGTH

△1△2	9-413889-0	9-415416-0	9-415411-0	5415226-1
3	FERRULE QTY=1	2	CONTACT QTY=1	1
			PLUG ASSY QTY=1	PART NUMBER

THIS DRAWING IS A CONTROLLED DOCUMENT.		DWN G. ATTADIA - DOCK5 01FEB2005	Tyco Electronics Corporation Harrisburg, PA 17105-3608	
DIMENSIONS: mm [INCHES]		CHK J. HAVENER 01FEB2005	NAME PLUG, SERIES F	
TOLERANCES UNLESS OTHERWISE SPECIFIED:		APVD K. WEIDNER 01FEB2005	PRODUCT SPEC	
0 PLC ± - 1 PLC ± - 2 PLC ± 0.3[.010] 3 PLC ± - 4 PLC ± - ANGLES ± -		APPLICATION SPEC		
MATERIAL SEE NOTES		FINISH SEE NOTES	WEIGHT -	RESTRICTED TO -
CUSTOMER DRAWING		SCALE 10:1	SIZE A2	CAGE CODE 00779
		DRAWING NO C=5415226	DRAWING NO 5415226	
		SHEET 1	OF 1	REV 0

5415226