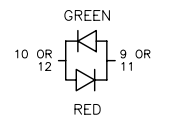
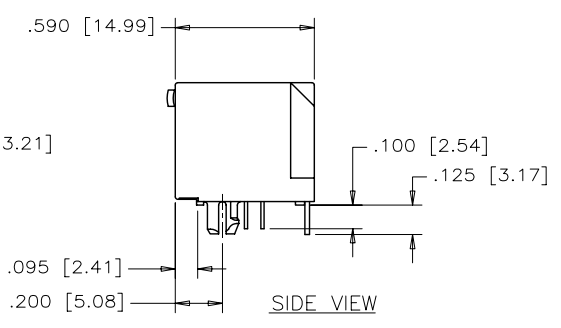
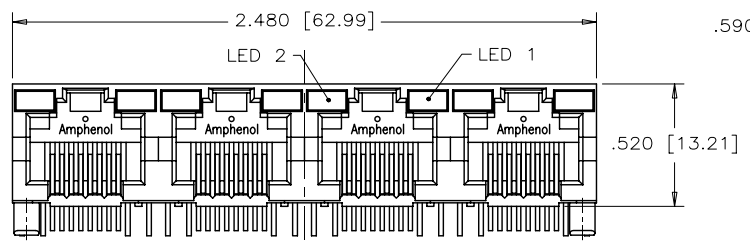
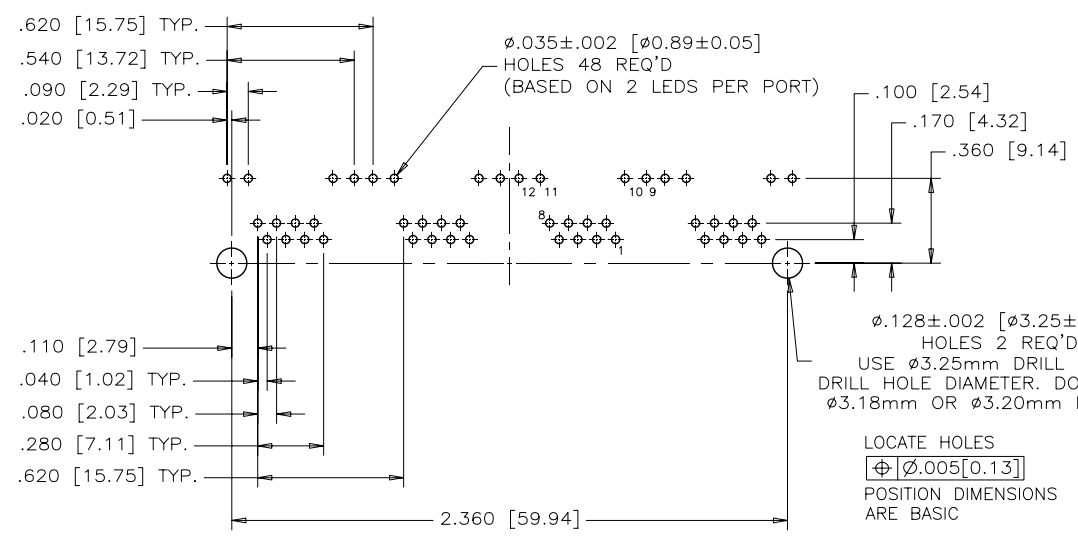


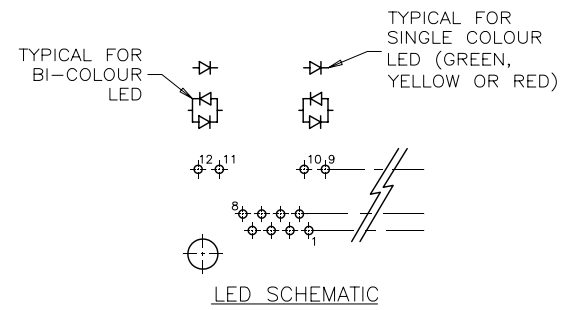
REVISIONS				
SYM	ZONE	ECN, ERN NO.	DATE	APPRD.
A		PROPOSAL	05/12/05	L.CHAN
B		PROPOSAL	APR07/06	L.CHAN
C		PROPOSAL	JULY 10,08	L.CHAN



BI-COLOUR LED DETAIL
(YELLOW/GREEN, RED/YELLOW AND GREEN/ORANGE LED'S ARE ALSO AVAILABLE)



RECOMMENDED P.C.B. LAYOUT
(COMPONENT SIDE OF BOARD)



LED SCHEMATIC

$\phi 0.128 \pm 0.002$ [$\phi 3.25 \pm 0.05$]
HOLES 2 REQ'D
USE $\phi 3.25$ mm DRILL BIT TO DRILL HOLE DIAMETER. DO NOT USE $\phi 3.18$ mm OR $\phi 3.20$ mm DRILL BIT.

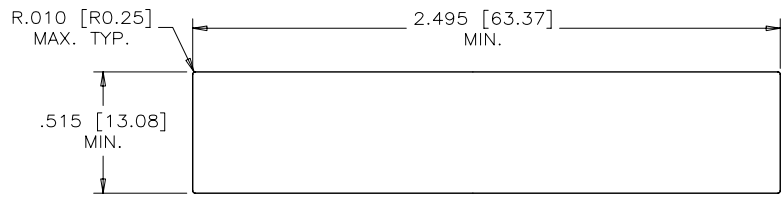
LOCATE HOLES
 $\phi \pm 0.005$ [0.13]
POSITION DIMENSIONS ARE BASIC

MATERIALS:

HOUSING: HIGH TEMPERATURE THERMOPLASTIC
FLAMMABILITY RATING UL 94V-0
COLOR: BLACK

CONTACTS: PHOSPHOR BRONZE
PLATING: 50 μ " [1.27 MICRONS]
MIN. GOLD ON MATING SURFACES.
50 μ " [1.27 MICRONS]
MIN. NICKEL UNDERPLATE
100 μ " [2.54 MICRONS]
MIN. MATTE TIN ON CONTACT TAILS.

RECOMMENDED SOLDERING TEMPERATURE:
WAVE SOLDERING AT 260°C MAXIMUM FOR 5 SEC MAXIMUM.



RECOMMENDED PANEL CUTOUT



PART NUMBER: RJHSE-508X-04

REFER TO LED OPTIONS DRAWING FOR ORDERING CODES

THIS DOCUMENT CONTAINS PROPRIETARY INFORMATION AND SUCH INFORMATION MAY NOT BE DISCLOSED TO OTHERS FOR ANY PURPOSE OR USED FOR MANUFACTURING PURPOSES WITHOUT WRITTEN PERMISSION FROM AMPHENOL CANADA CORP.

DRAWN PAULW	DATE 05/12/05	Amphenol Canada Corp.		
DESIGNED				
CHECKED CHIGOW	DATE 05/12/05	TITLE	4 PORT, HIGH SPEED, MODULAR JACK, 8 POSITION, 8 CONTACTS, UNSHIELDED WITH LED OPTIONS - RoHS COMPLIANT	
I. E. APPRD.		DWG	DRAWING NO.	REV.
Q. A. APPRD.			P-RJHSE-508X-04	C
DWG. APPRD.		DIMENSIONS ARE IN INCHES [mm]	CODE ID. NO. 03554	SHEET 1 OF 1