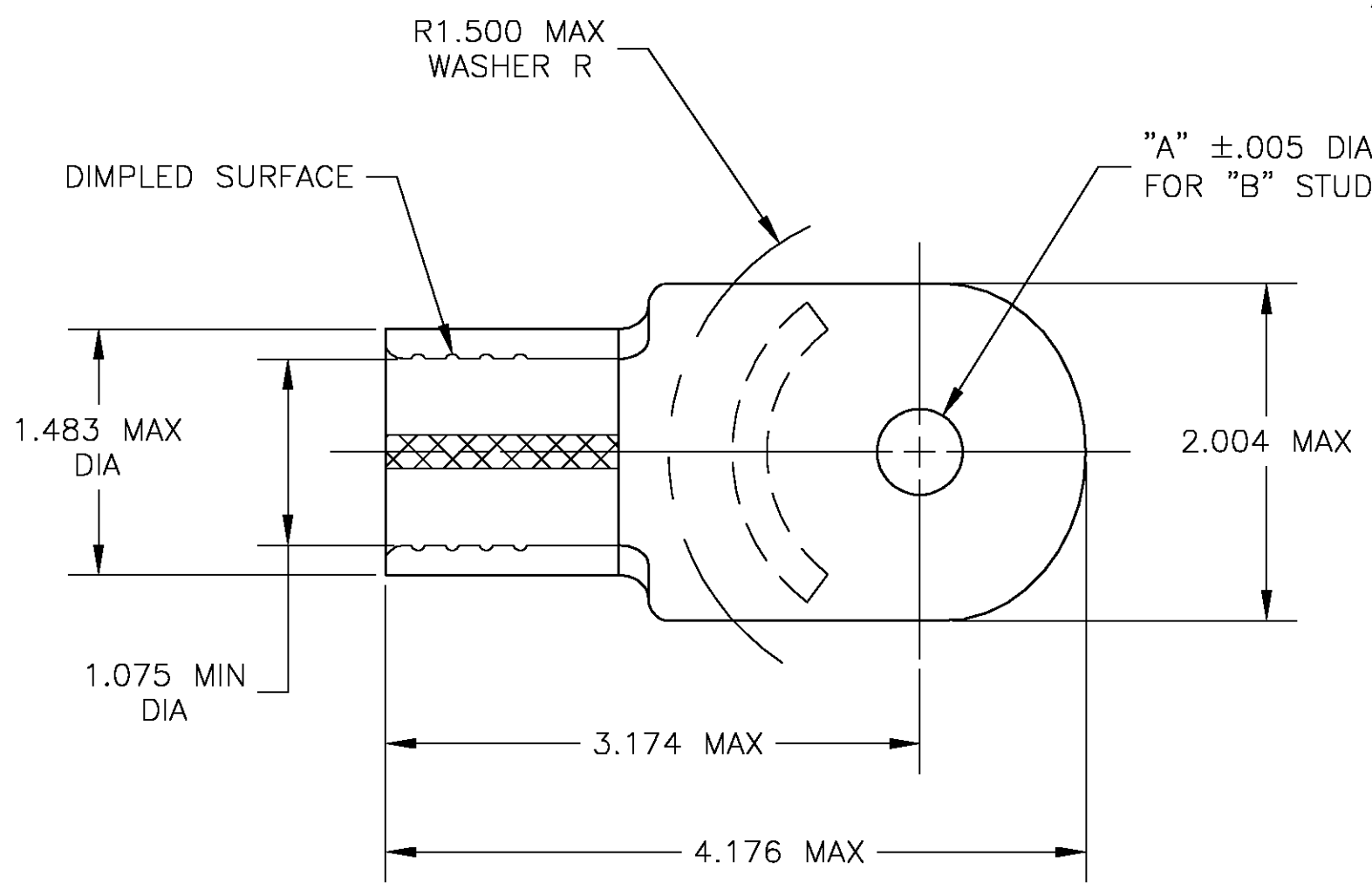


THIS DRAWING IS UNPUBLISHED. RELEASED FOR PUBLICATION
 © COPYRIGHT BY TYCO ELECTRONICS CORPORATION. ALL RIGHTS RESERVED.

LOC	DIST	REVISIONS					
		P	LTR	DESCRIPTION	DATE	DWN	APVD
G	14		D	REV PER 0G3A-0294-04	16APR04	JR	MS

- 1 TONGUE MATERIAL THICKNESS IS $.178 \pm .004$
- △2 COPPER PER ASTM B-152, ANNEALED
- △3 TIN PLATE PER ASTM B-545



OBSOLETE	5/8	.656	2-322773-1
	1/2	.515	322773
	"B"	"A"	PART NO

THIS DRAWING IS A CONTROLLED DOCUMENT.		DWN jr_ruth 16APR04	Tyco Electronics Corporation Harrisburg, PA 17105	
DIMENSIONS: INCHES		CHK MJ SPICER 16APR04		
		APVD MJ SPICER 16APR04	NAME	
TOLERANCES UNLESS OTHERWISE SPECIFIED:		PRODUCT SPEC	WIRE TERMINAL	
0 PLC ± -		APPLICATION SPEC	SOLISTRAND, RING TONGUE,	
1 PLC ± -		WEIGHT	WIRE SIZE: 500-600 MCM	
2 PLC ± -		CUSTOMER DRAWING	SIZE	RESTRICTED TO
3 PLC ± .008			A3	
4 PLC ± -		CAGE CODE	DRAWING NO	
ANGLES ± 5'		00779	C-322773	
MATERIAL	FINISH	SCALE		SHEET
- △2	- △3	1:1		1 OF 1
		REV		D