



**Mallory Sonalert Products, Inc.**

Part #: **SCL016LD3CTB**

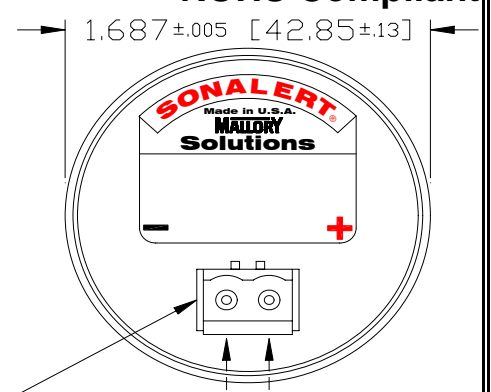
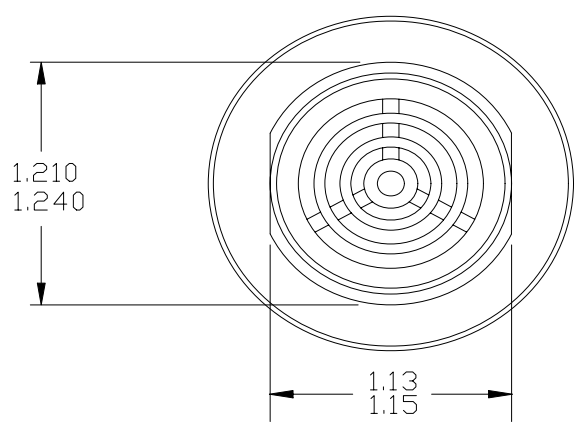
**Sales Outline Drawing**

Revision: **A**

**Specifications:**

|                       |                                                                                            |
|-----------------------|--------------------------------------------------------------------------------------------|
| Sound Level Category  | Loud                                                                                       |
| Mode of Operation     | Continuous                                                                                 |
| Voltage Rating        | 6 to 16 VDC                                                                                |
| Frequency             | 2900 ± 500 Hz                                                                              |
| Loudness @ 2 FT       | 85 to 95 dB(A) Typ.                                                                        |
| Current Draw          | 20mA MAX                                                                                   |
| Housing Material      | 6/6 Nylon, Color: Black                                                                    |
| Storage Temperature   | -40° to +85° C                                                                             |
| Operating Temperature | -40° to +85° C                                                                             |
| Panel Mounting        | Recommended hole size is 1.25"(31.75mm). Thread front will fit standard 30mm(1.181") hole. |
| Knurled Nut           | Used to attach part to panel. The max recommended torque is 10 in-lbs.                     |
| Weight (Typical)      | 1.6 oz (45g)                                                                               |
| NEMA 3R,4X, & 12      | Approved with use of ACC03.                                                                |
| cUL Recognition       | cUL Recognized                                                                             |
| Options               | Please contact factory.                                                                    |

**Dimensions:** Inches (mm) **cUL Recognized** **ROHS Compliant**



1 1/8-24 UNS 2A THD.  
KNURLED NUT

