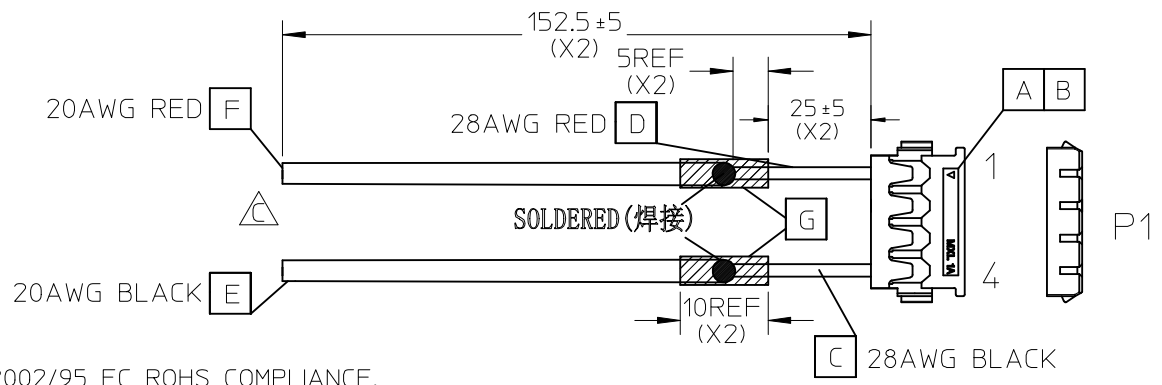


7 6 5 4 3 2 1

REVISIONS				
EC NO	DATE	REV	DESCRIPTION	CHANGER
CY13-5878	13.01.09	B	CHG. TITLE	JORRY DUAN
CY13-5950	13.01.25	C	CANCEL TINNED	JORRY DUAN



NOTES

- THIS PRODUCT MUST MEET EU 2002/95 EC ROHS COMPLIANCE.
此产品需符合EU 2002/95 EC ROHS 环保要求
- ELECTRICAL PERFORMANCE REFER TO ES-000.
电气特性参考ES-000.
- 28AWG WIRE SPEC.(线的规格)
 - WIRE OD:0.7+/-0.05MM,
 - WIRE INSULATION: FEP
 - CONDUCTOR:7/0.127 TINNED COPPER
 - UL STYLE:UL1371
 - TEMPERATURE RATING:105℃
 - RATED VOLTAGE:300V
- 20AWG WIRE SPEC.(线的规格)
 - WIRE OD:1.78+/-0.05MM,
 - WIRE INSULATION: PVC
 - CONDUCTOR:26/0.16 TINNED COPPER
 - UL STYLE:UL1569
 - TEMPERATURE RATING:105℃
 - RATED VOLTAGE:300V
- STICK UL LABEL ON THE OUTSIDE CARTON.
外箱上贴UL 标签

G	HST 2MM BLACK	A/R	
F	20AWG,PLTD,PVC,RD;1.78mm;UL1569	A/R	
E	20AWG,PLTD,PVC,BK;1.78mm;UL1569	A/R	
D	28AWG,FEP,RED;OD:0.7MM;UL1371;VW-1.	A/R	
C	28AWG,FEP,BLACK;OD:0.7MM;UL1371;VW-1.	A/R	
B	TERMINAL 28-30AWG		2
A	4CKT HSG.WHITE		1
ITEM	DESCRIPTION	L(MM)	Q'TY

WIRING CHART

P1	COLOR
1	RED
2	
3	
4	BLACK

EC NO: CPG2013-2410 DRWN: CXIA003 CHKD: JDUAN APPR: FNIE	2013/01/26 2013/01/26 2013/01/28	QUALITY SYMBOLS F=0 F=0 F=0	GENERAL TOLERANCES (UNLESS SPECIFIED) mm INCH 4 PLACES ± --- ± --- 3 PLACES ± --- ± --- 2 PLACES ± --- ± --- 1 PLACE ± --- ± --- 0 PLACE ± --- ± --- ANGULAR ± ---° DRAFT WHERE APPLICABLE MUST REMAIN WITHIN DIMENSIONS	DIMENSION STYLE MM ONLY DRAWN BY DATE CXIA003 2012/12/25 CHECKED BY DATE JDUAN 2012/12/25 APPROVED BY DATE FNIE 2012/12/26	SCALE --- DESIGN UNITS METRIC THIRD ANGLE PROJECTION	TITLE 2PINS WIRING PICO EZMATE 6" 20/28AWG	MATERIAL NO. 688014084	DOCUMENT NO. SD-68801-086	SHEET NO. 1 OF 1



6 5 4 3 2 1