

DETAILS

Product Number	C13476_STRADA-FT
Family	Strada
Type	Lens
Color	clear
Diameter	15,4 x 19,6 mm
Height	8,2 mm
Style	rectang
Optic Material	PMMA
Holder Material	
Fastening	screw, pin
Status	production ready
ROHS Compliant	Yes
Date Updated	25/10/2013

OPTICAL PROPERTIES

LED	Viewing Angle	Light Beam	Efficiency	cd/lm	Connector
XT-E	asymmetric deg	Asymmetric	91 %	0.530	-
XP-G2	asymmetric deg	Asymmetric	90 %	0.540	-
LH351B	Asymmetric deg	Asymmetric	91 %	0.510	-
LH351Z	asymmetric deg	Asymmetric	92 %	0.550	-



D

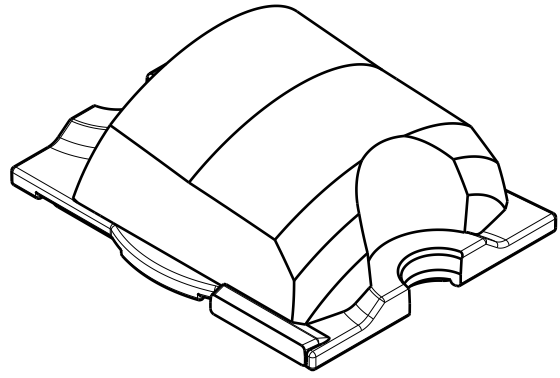
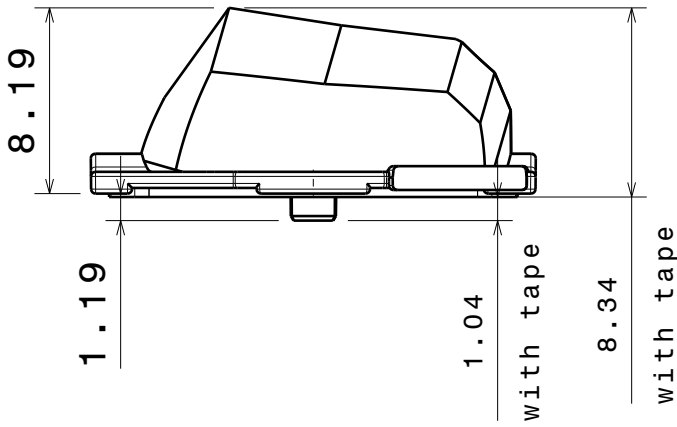
C

B

A

4

4

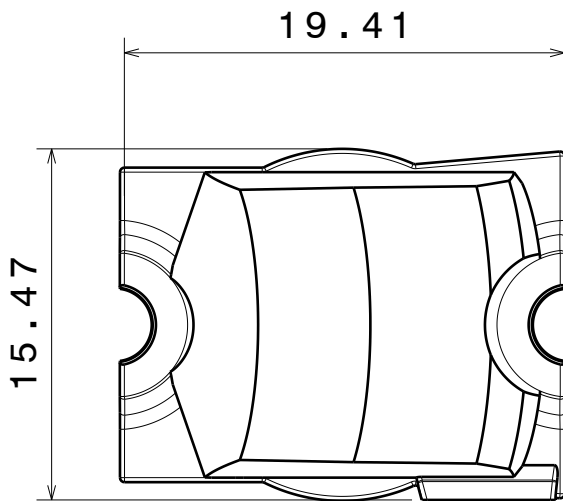


Isometric view

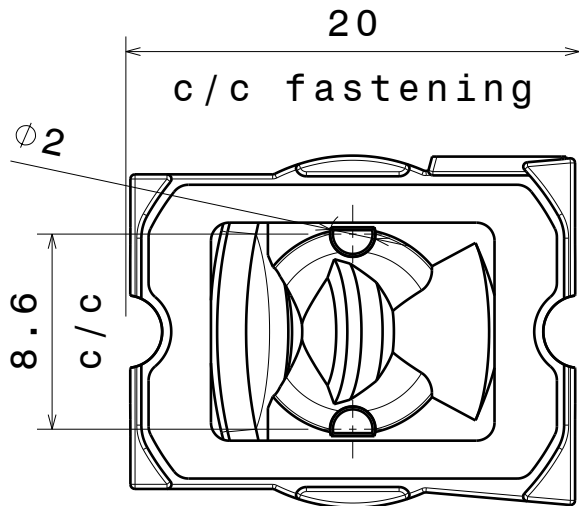
Front view

3

3



Top view



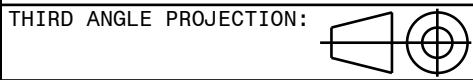
Bottom view

2

2

Tolerances if not otherwise shown
 According to DIN ISO 2768-1
 Linear measures:
 Up to 30mm class M, otherwise class C.
 According to DIN ISO 2768-2
 Form and position: class L

LEDiL LediL Oy
 Salorankatu 10
 FIN 24240 SALO
 Finland



DRAWING TITLE

STRADA-FT

This drawing is the property of LEDiL Oy. It may not be reproduced, copied or communicated without a written agreement with LEDiL Oy."

SIZE	PART NUMBER
A4	-

SCALE	3:1	WEIGHT	-	SHEET	1/1
-------	-----	--------	---	-------	-----

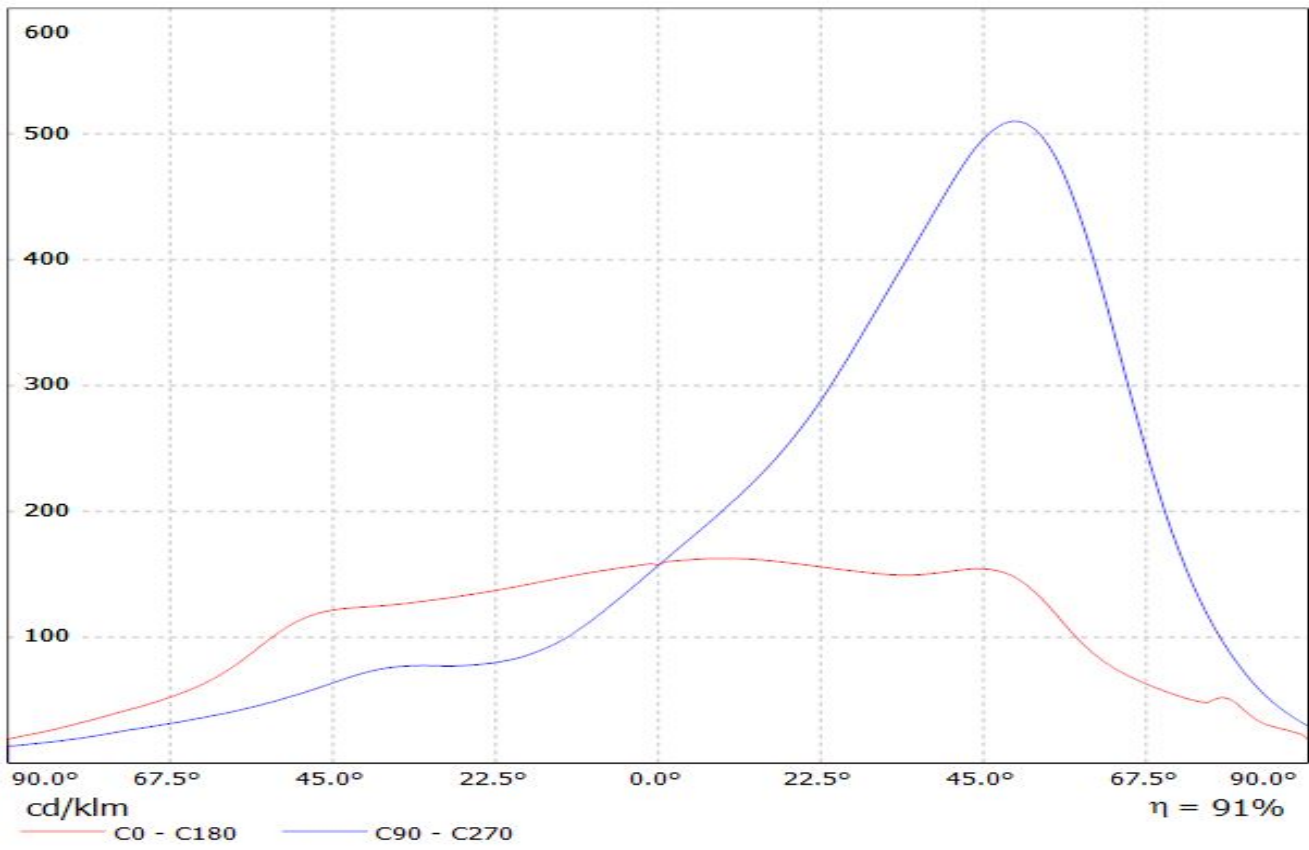
1

1

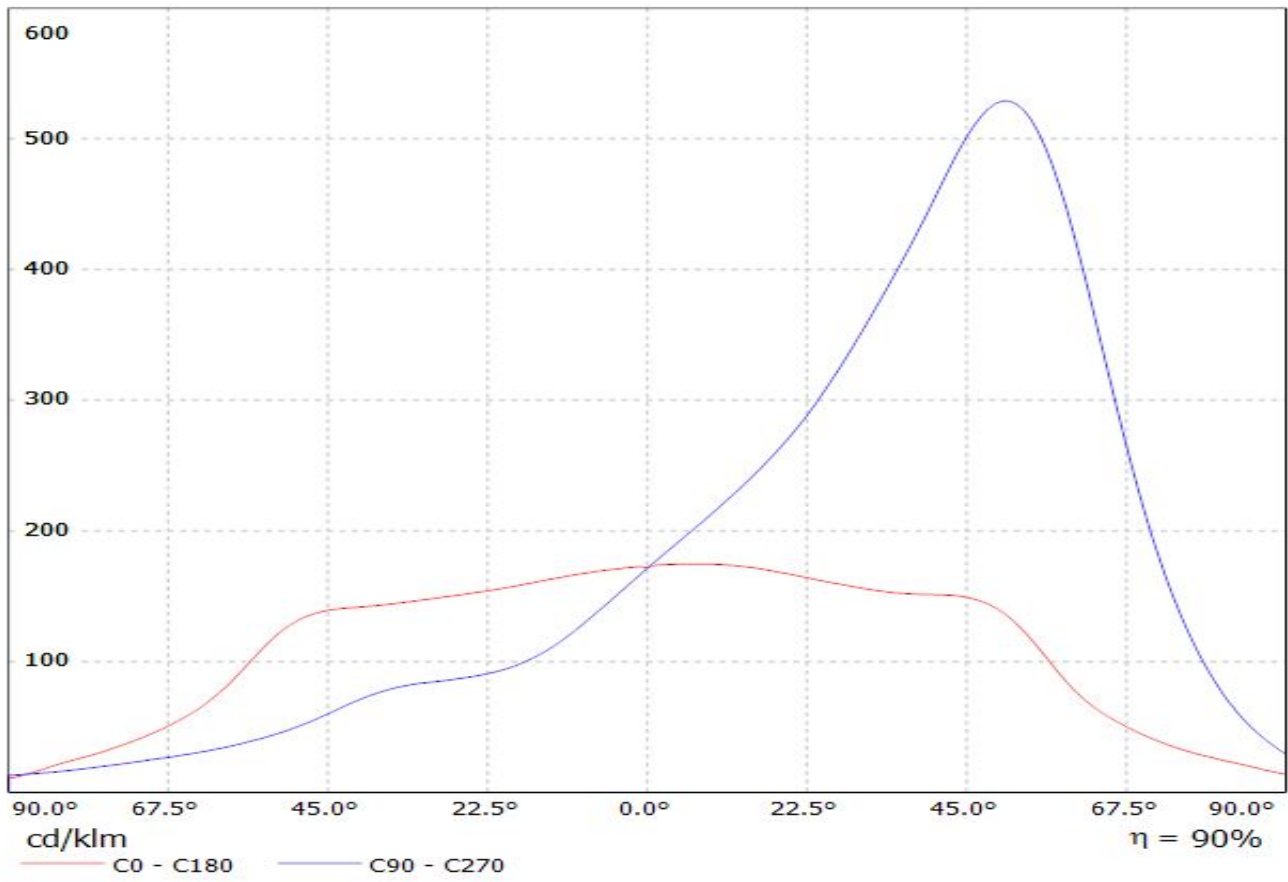
D

A

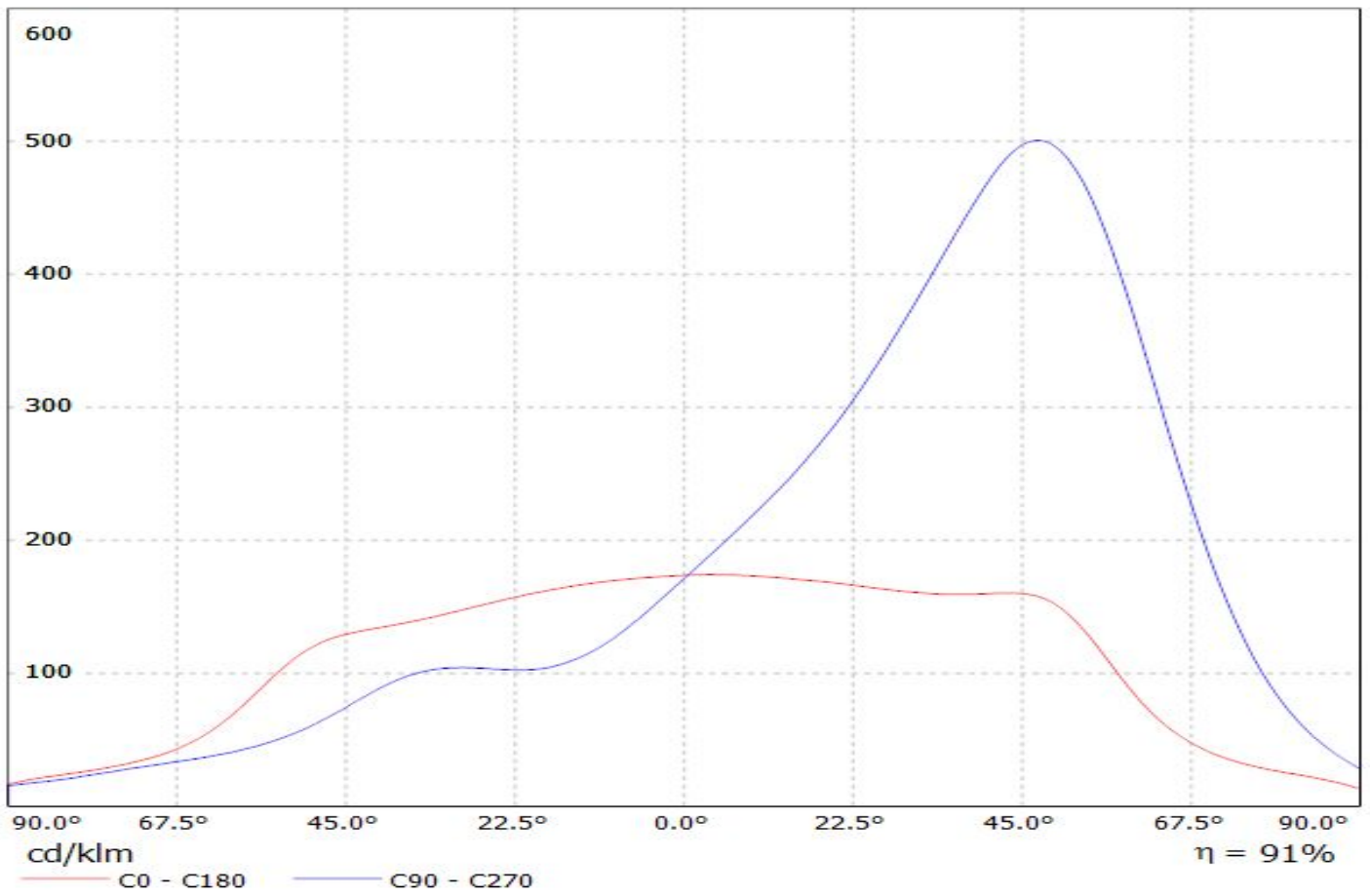
Luminaire: LEDiL Oy C13476_STRADA-FT_(XT-E) Eff.91.5%
Lamps: 1 x XT-E (104.859lm@250mA)



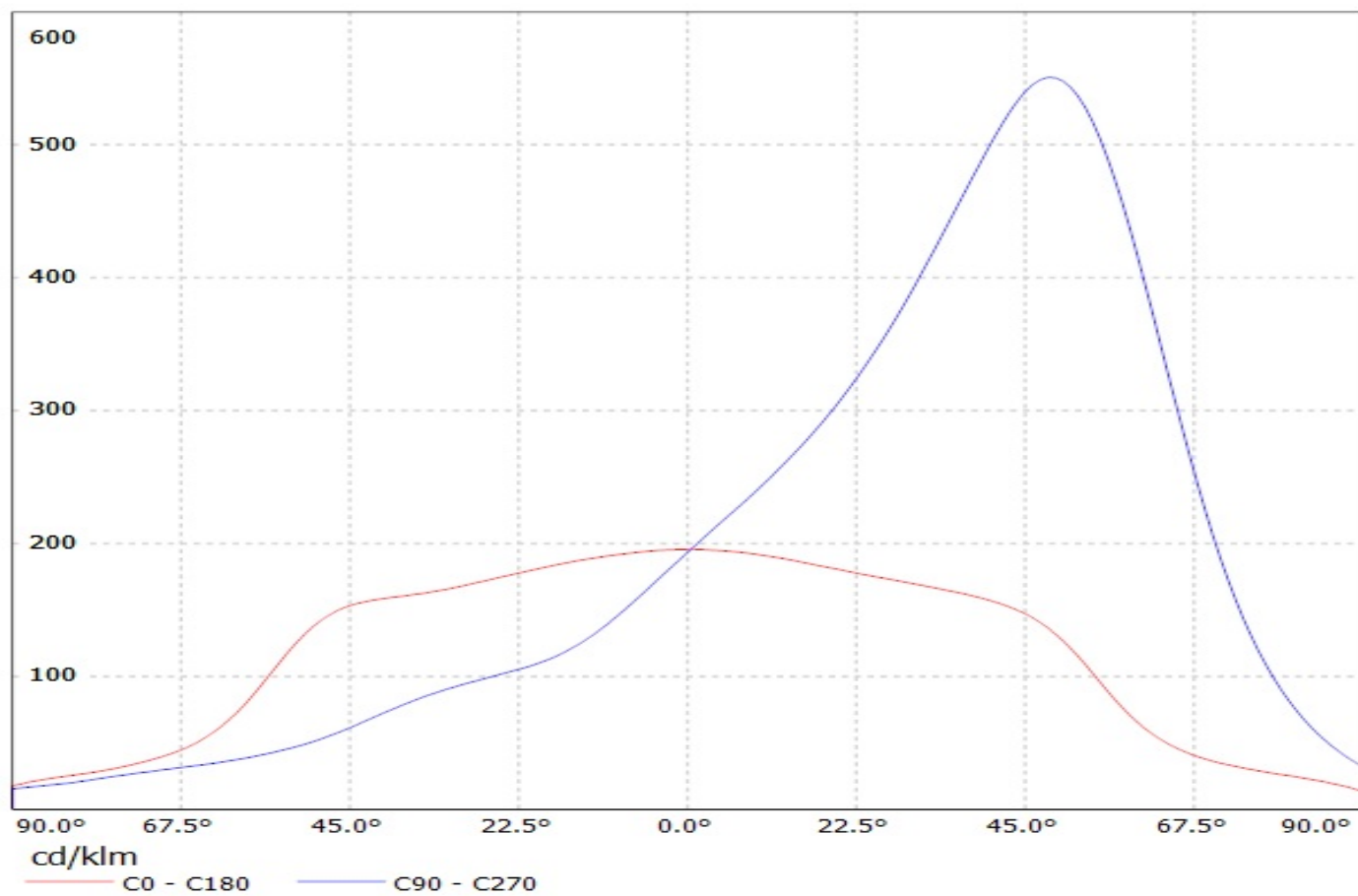
Luminaire: LEDiL Oy C13476_STRADA-FT_(XP-G2) Eff.90%
Lamps: 1 x XP-G2 (103.198lm@250mA)



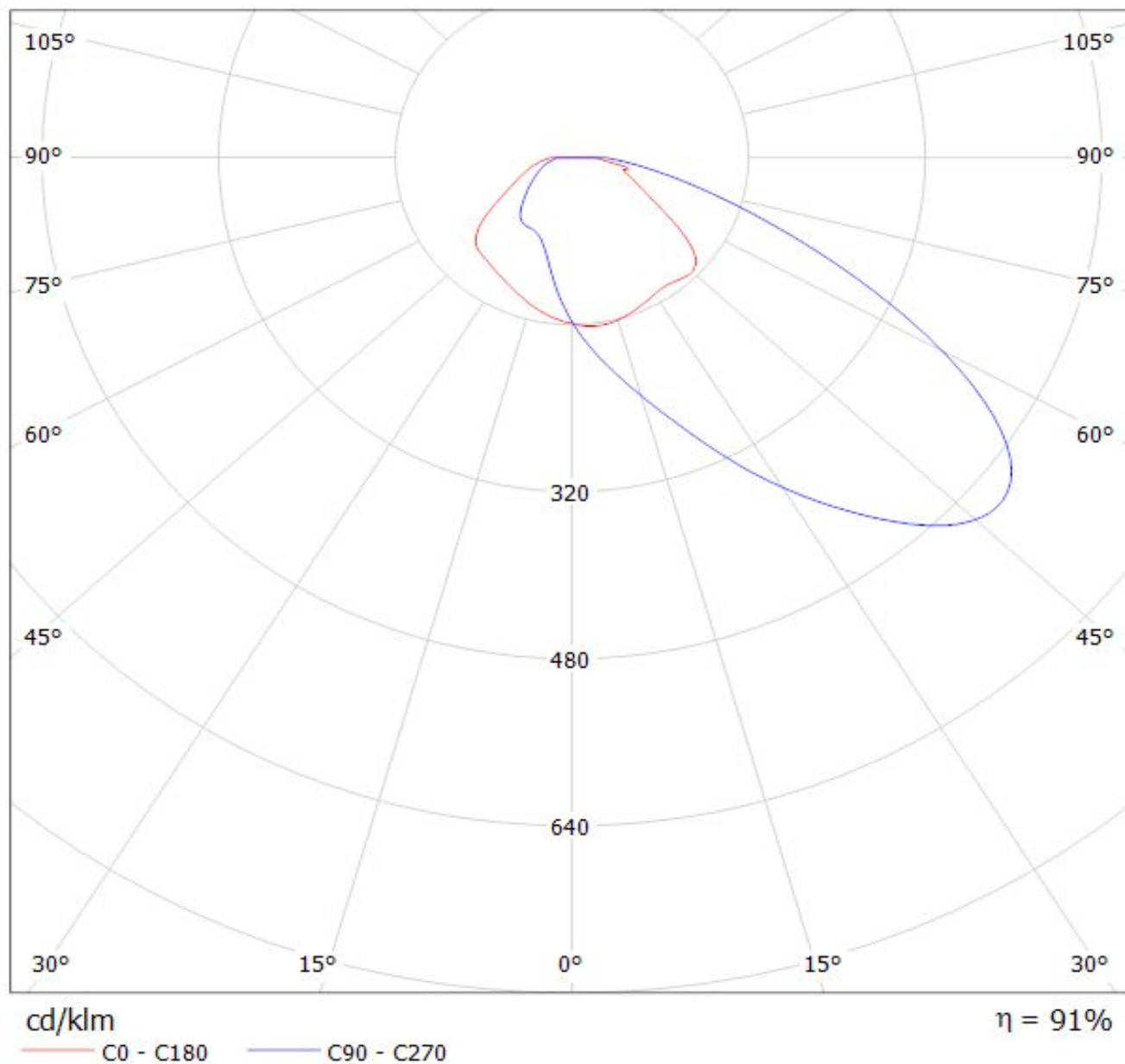
Luminaire: LEDiL Oy C13476_STRADA-FT_(LH351B) Eff.91.4%
Lamps: 1 x SAMSUNG_LH351B_107.146lm@250mA_P=2.9284W_I=249.8mA



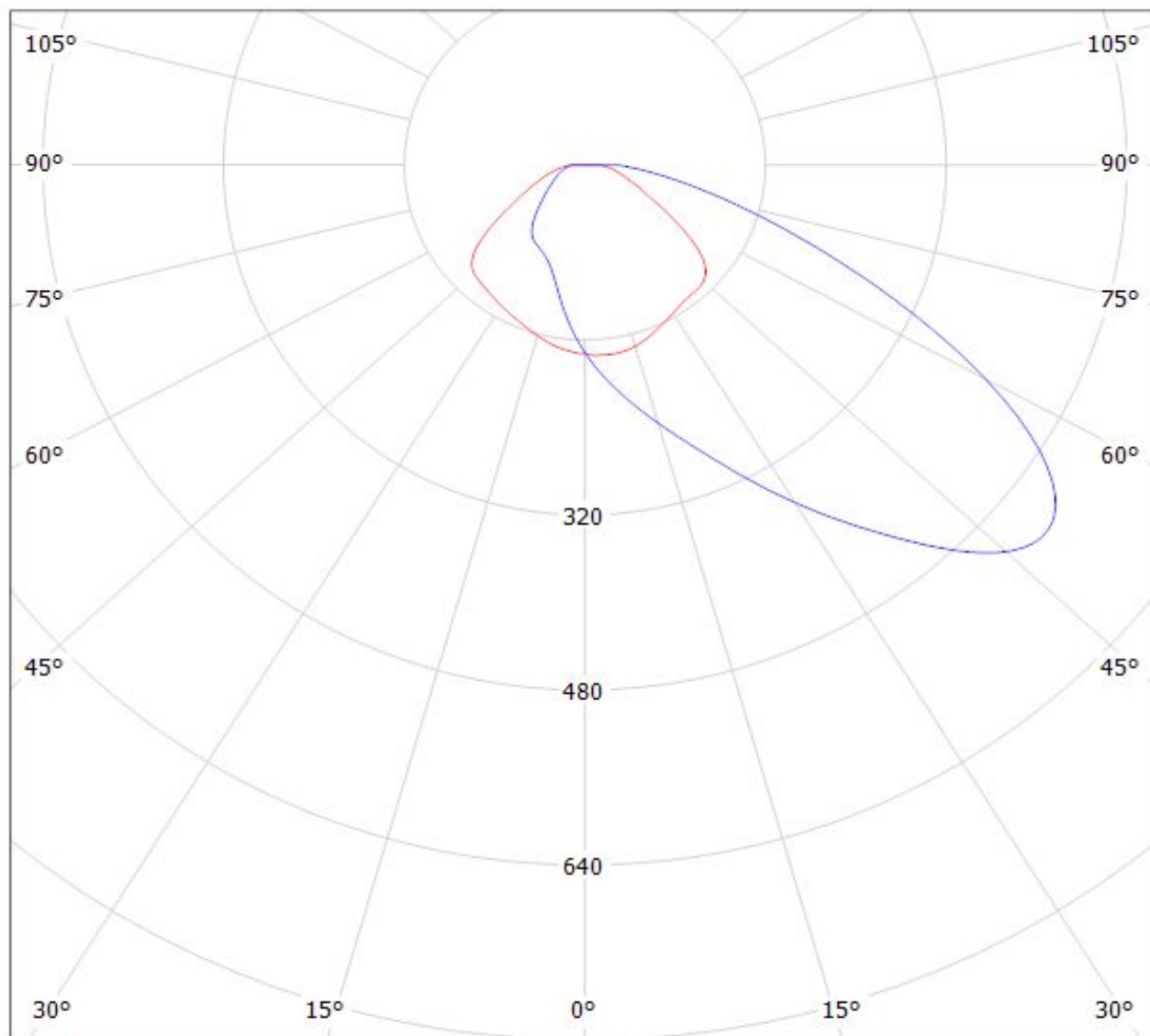
Luminaire: LEDiL Oy C13476_STRADA-FT_(LH351Z) Eff.92.3%
Lamps: 1 x SAMSUNG_LH351Z_90.238lm@250mA_P=0.747026W_I=249.9mA



Luminaire: LEDiL Oy C13476_STRADA-FT_(XT-E) Eff.91.5%
Lamps: 1 x XT-E (104.859lm@250mA)



Luminaire: LEDiL Oy C13476_STRADA-FT_(XP-G2) Eff.90%
Lamps: 1 x XP-G2 (103.198lm@250mA)

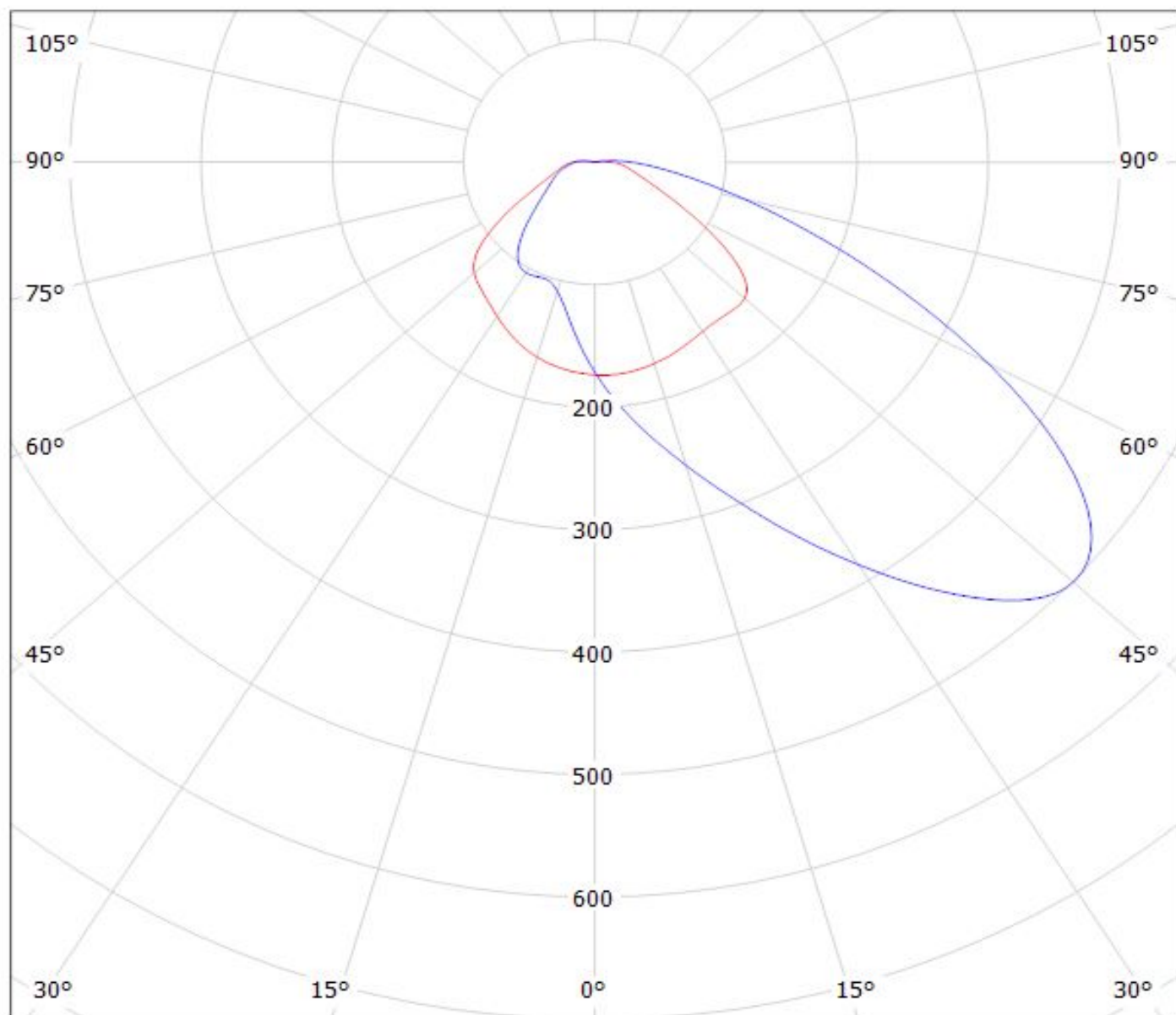


cd/klm

η = 90%

— C0 - C180 — C90 - C270

Luminaire: LEDiL Oy C13476_STRADA-FT_(LH351B) Eff.91.4%
Lamps: 1 x SAMSUNG_LH351B_107.146lm@250mA_P=2.9284W_I=249.8mA



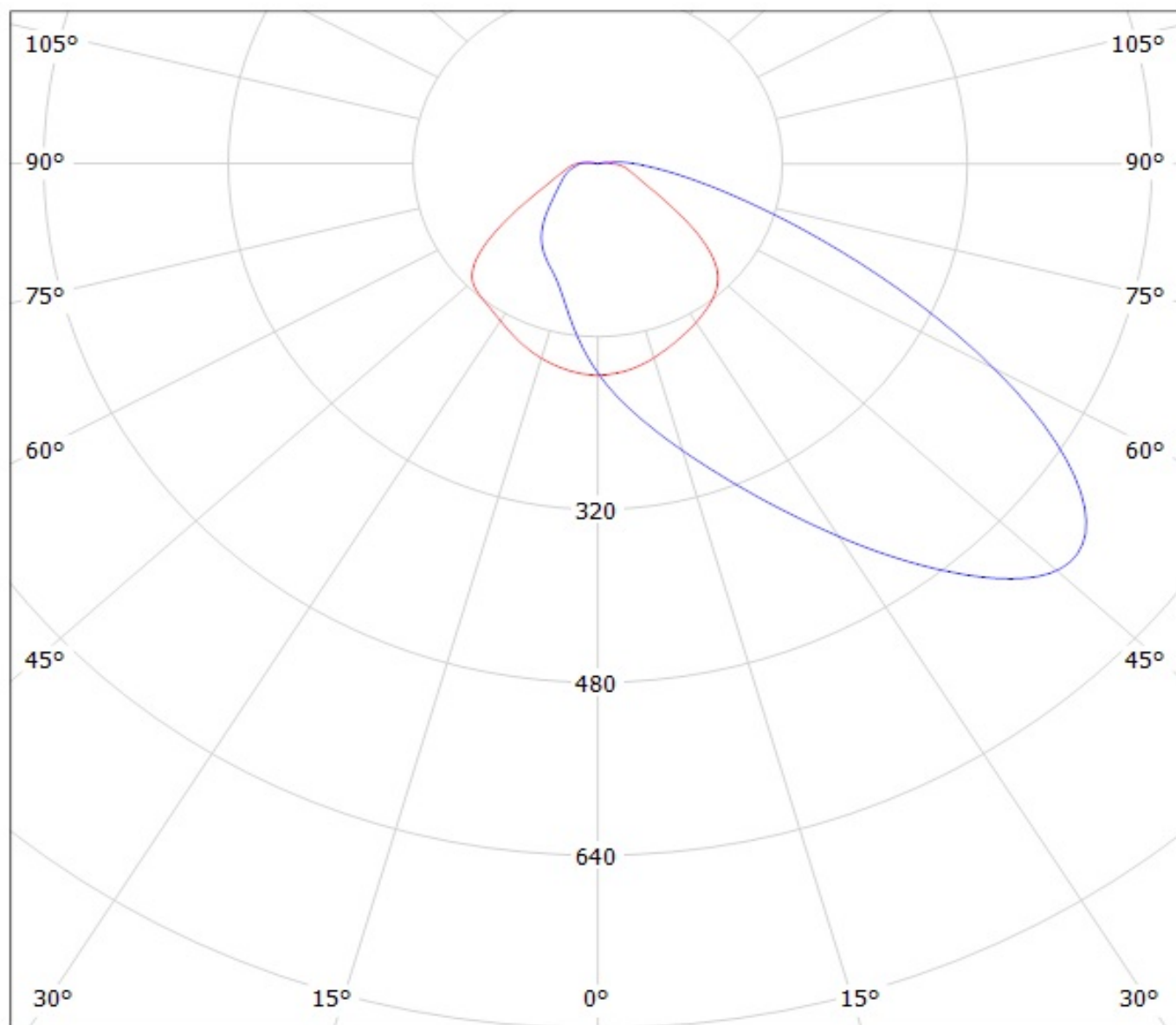
cd/klm

— C0 - C180 — C90 - C270

$\eta = 91\%$

Luminaire: LEDiL Oy C13476_STRADA-FT_(LH351Z) Eff.92.3%

Lamps: 1 x SAMSUNG_LH351Z_90.238lm@250mA_P=0.747026W_I=249.9mA



cd/klm

— C0 - C180

— C90 - C270

NOTE: The typical divergence will be changed by different color, chip size and chip position tolerance. The typical total divergence is the full angle measured where the luminous intensity is half of the peak value.