

4

3

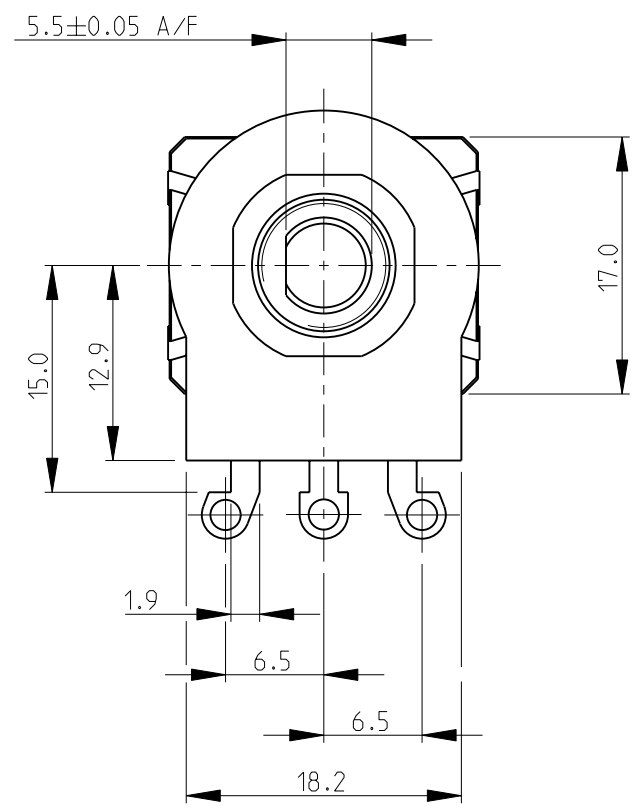
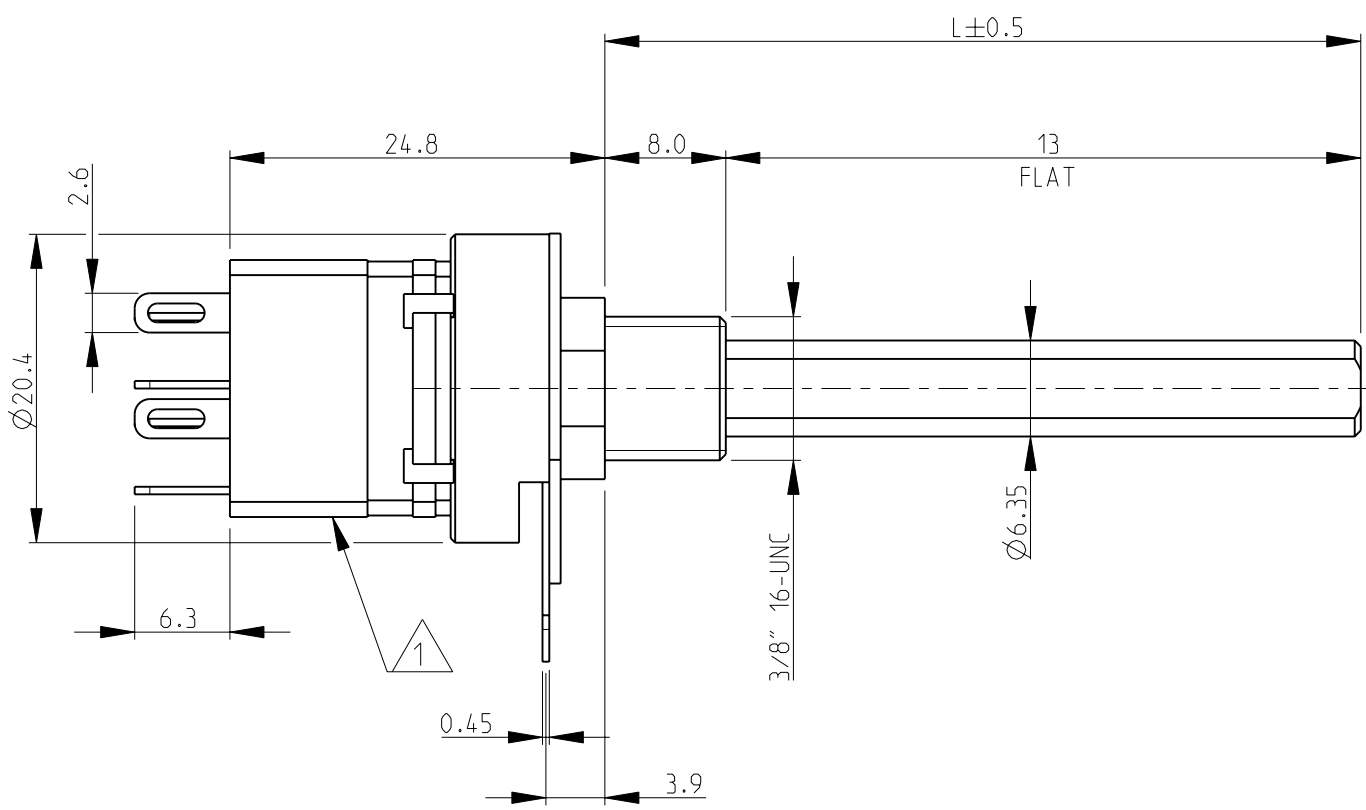
2

1

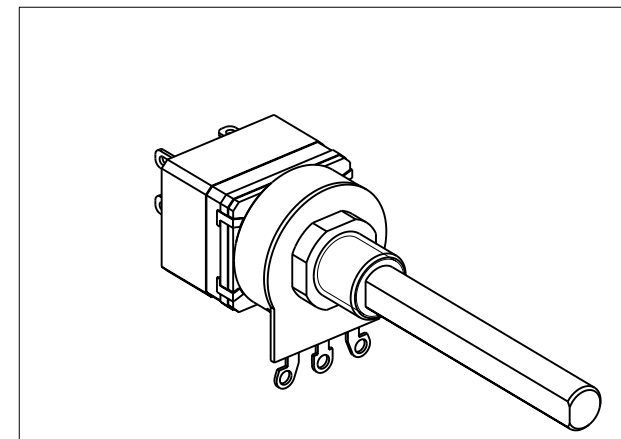
THIS DRAWING IS UNPUBLISHED. RELEASED FOR PUBLICATION 2008  
 © COPYRIGHT 2008 BY TYCO ELECTRONICS CORPORATION. ALL RIGHTS RESERVED.

LOC	DIST	REVISIONS			
P	LTR	DESCRIPTION	DATE	DWN	APVD
E	B	BA	NEW RELEASE	30-Jul-08	SM St.P

- 1 SWITCH TYPE: DPST (4A)
- 2 AVAILABLE IN DIFFERENT SHAFT LENGTHS (L) SEE DATA SHEET
- 3 FOR FURTHER INFORMATION SEE DATA SHEET FOR 23 SERIES-SPINDLE OPERATED POTENTIOMETER



RoHS Compliant



SCALE 1:1

THIS DRAWING IS A CONTROLLED DOCUMENT FOR TYCO ELECTRONICS CORPORATION IT IS SUBJECT TO CHANGE AND THE CONTROLLING ENGINEERING ORGANIZATION SHOULD BE CONTACTED FOR THE LATEST REVISION.		DWN	SUBHASH.M	30-Jul-08	Tyco Electronics Corporation Dorcan, Swindon, SN3 5HH
DIMENSIONS: mm		CHK	PRAKASH.S	30-Jul-08	
		APVD	STEPHEN.P	30-Jul-08	
TOLERANCES UNLESS OTHERWISE SPECIFIED:		PRODUCT SPEC		NAME	
0 PLC	±0.5	-		SPINDLE OPERATED POTENTIOMETER	
1 PLC	±0.2	APPLICATION SPEC		SERIES 23E	
2 PLC	±0.1	-		SIZE	A3
3 PLC	±-	WEIGHT		CAGE CODE	00779
4 PLC	±-	-		DRAWING NO	1624203
ANGLES	±5°	-		RESTRICTED TO	-
MATERIAL	-	CUSTOMER DRAWING		SCALE	2:1
FINISH	-	-		SHEET	1 OF 1
				REV	BA