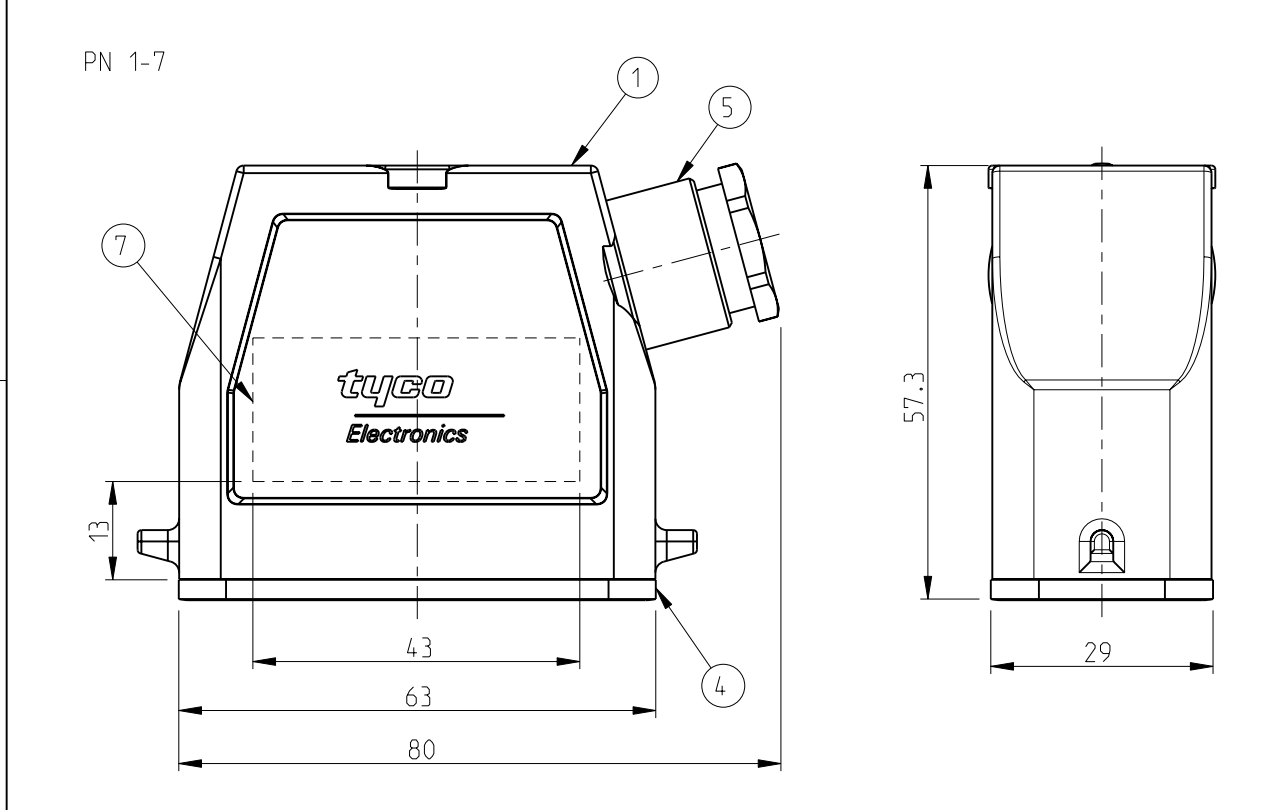
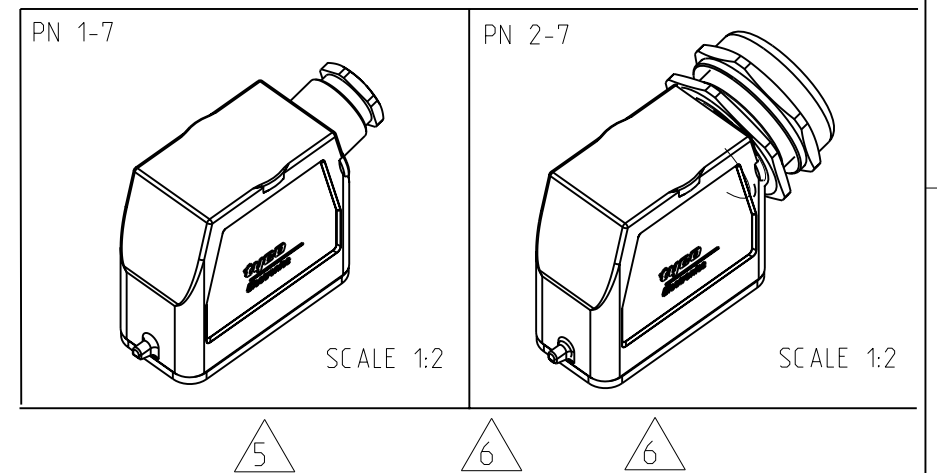
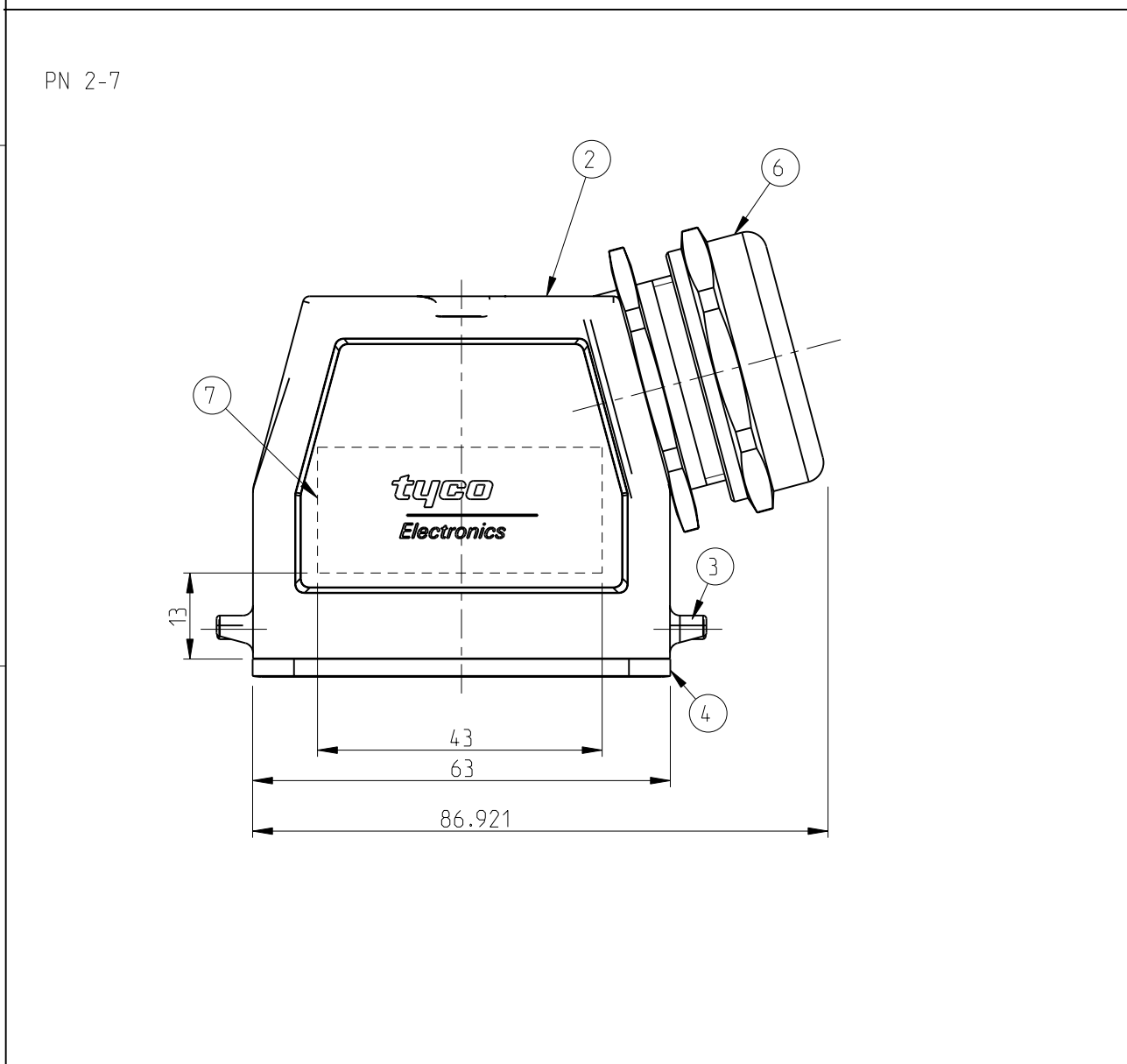


THIS DRAWING IS UNPUBLISHED. RELEASED FOR PUBLICATION .2000
 © COPYRIGHT 2000 BY TYCO ELECTRONICS CORPORATION. ALL RIGHTS RESERVED.

LOC	DIST	REVISIONS				
P	LTR	DESCRIPTION	DATE	DWN	APVD	
A1	-	B2	RELEASED AS PER ECR-09-005170	05.MAR.2009	GG	TS



- NOTES
- 1 PACKAGING
PACKAGING QUANTITY:5 PIECES PER BOX
 - 2 MATERIAL:HOUSING ALUMINIUM DIECASTING ALLOY
 - 3 SURFACE:VARNISH-GREY
 - 4 VARNISH ON THE INSIDE NOT NECESSARY



2-7	1-7	DESCRIPTION	MATERIAL	SURFACE	COLOR	ITEM NO	REMARKS
2	2	INSULATING TAPE	PVC	-	GREY	7	
1	-	CABLE FITTING	BRASS	NICKEL PLATED	BLUE	6	PG16
-	1	CABLE FITTING ROUND	BRASS	NICKEL PLATED	BLUE	5	PG16
1	1	PROFILE SEAL	NEOPRENE	-	BLACK	4	
2	-	CLIP BOLT	STAINLES STEEL	BLANK	-	3	
1	-	HOOD	ALUMINIUM	ALUMINIUM OXIDE	BLACK	2	
-	1	HOOD	ALUMINIUM	-	GREY	1	

THIS DRAWING IS A CONTROLLED DOCUMENT FOR TYCO ELECTRONICS CORPORATION
 IT IS SUBJECT TO CHANGE AND THE CONTROLLING ENGINEERING ORGANIZATION
 SHOULD BE CONTACTED FOR THE LATEST REVISION.

DIMENSIONS:		TOLERANCES UNLESS OTHERWISE SPECIFIED:	
mm		0 PLC	±
		1 PLC	±
		2 PLC	±
		3 PLC	±
		4 PLC	±
		ANGLES	±
MATERIAL		FINISH	
5		6	

DWN	S.KUMAR	2/23/2006	Tyco Electronics, AMP.GmbH 53757 Sankt Augustin, Germany
CHK	R.SRINIVAS	2/23/2006	
APVD	T.SCHNURPFEL	2/23/2006	
PRODUCT SPEC	108-74009		
APPLICATION SPEC	114-74001		NAME
WEIGHT	-		HOOD HA.10.STS.1.16
CUSTOMER DRAWING			SIZE
SCALE 1:1			CAGE CODE
SHEET 1 OF 1			DRAWING NO
REV B2			RESTRICTED TO
			A3 00779 C= 1102115