

4300 Series

Tubeaxial

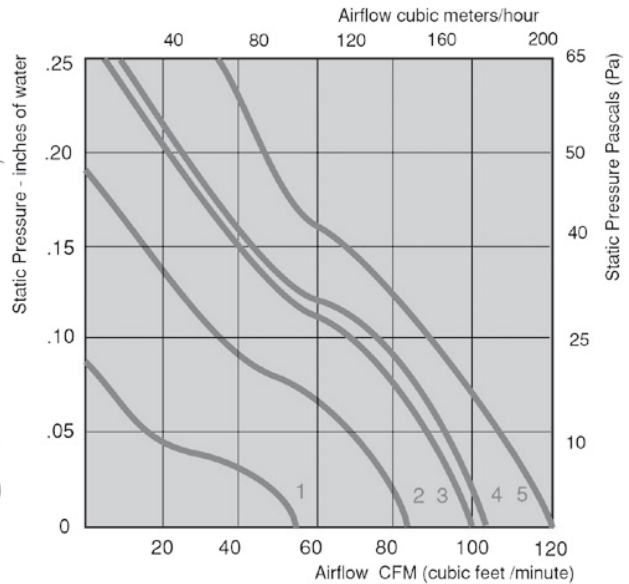
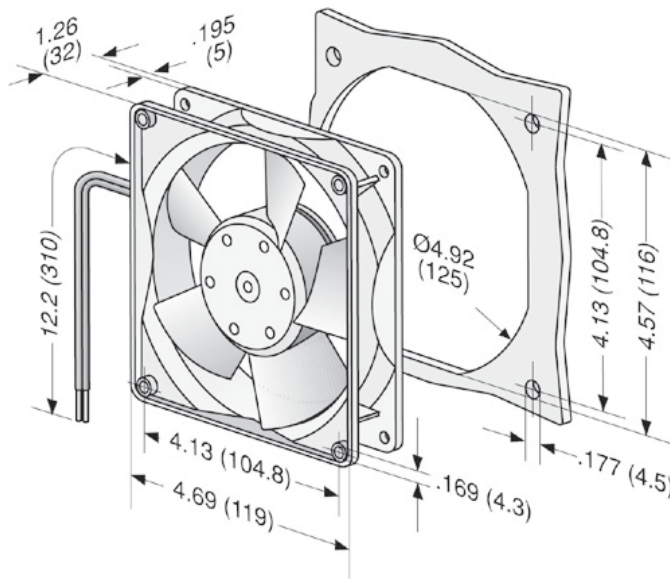
119x119x32mm



- DC fans with electronically commutated external rotor motor. Fully integrated commutation electronics.
- With electronic protection against reverse polarity, blocking and overloading by PTC-resistor; partially impedance protected.
- Mounting from either face using four 4.3 mm holes.

- Fan of fiberglass reinforced plastic. PBTP housing, PA impeller.
- Air exhaust over struts. Rotational direction CW looking at rotor.
- Electrical connection via leads AWG 22, TR 64. Stripped and tinned ends.
- UL, CSA, VDE approvals on some models, please contact application engineering.

Part Number	Curve	CFM @ 0	VDC	Volt. Range	Power (W)	dBA	Max Amb. Temp C	Bearing Type	Features	Wgt. (lbs)
4312GL	1	56	12	6 to 15	1.2	30	75	Sintec	Leads	0.5
4312L	1	56	12	6 to 15	1.2	30	75	Ball	Leads	0.5
4312LS	1	56	12	6 to 15	1.2	30	75	Ball	Leads	0.5
4392L	1	56	12	6 to 15	1.2	30	75	Ball	Terminals	0.5
4312GM	2	82	12	6 to 15	2.6	39	75	Sintec	Leads	0.5
4312M	2	82	12	6 to 15	2.6	39	75	Ball	Leads	0.5
4312MS	2	82	12	6 to 15	2.6	39	75	Ball	Leads	0.5
4392M	2	82	12	6 to 15	2.6	39	75	Ball	Terminals	0.5
4312	3	100	12	6 to 15	5.0	45	75	Ball	Leads	0.5
4312G	3	100	12	6 to 15	5.0	45	75	Sintec	Leads	0.5
4312S	3	100	12	6 to 15	5.0	45	75	Ball	Leads	0.5
4392	3	100	12	6 to 15	5.0	45	75	Ball	Terminals	0.5
4312-143	4	106	12	6 to 15	5.8	47	75	Ball	Leads	0.5
4312-179	5	120	12	6 to 13.2	8.5	51	75	Ball	Leads	0.5
4314L	1	56	24	12 to 28	1.2	30	75	Ball	Leads	0.5



ebmpapst

e-mail: sales@us.ebmpapst.com · TEL: 860-674-1515 · FAX: 860-674-8536

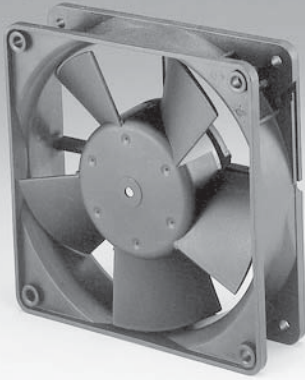
ebm-papst Inc., 100 Hyde Road, Farmington, CT 06034 USA

ebm-papst Inc., 2004 © ebm-papst Inc. reserves the right to change any specifications or data without notice

4300 Series cont.

Tubeaxial

119x119x32mm



- DC fans with electronically commutated external rotor motor. Fully integrated commutation electronics.
- With electronic protection against reverse polarity, blocking and overloading by PTC-resistor; partially impedance protected.
- Mounting from either face using four 4.3 mm holes.

- Fan of fiberglass reinforced plastic. PBTP housing, PA impeller.
- Air exhaust over struts. Rotational direction CW looking at rotor.
- Electrical connection via leads AWG 22, TR 64. Stripped and tinned ends.
- UL, CSA, VDE approvals on some models, please contact application engineering.

Part Number	Curve	CFM @ 0	VDC	Volt. Range	Power (W)	dBA	Max Amb. Temp C	Bearing Type	Features	Wgt. (lbs)
4314LS	1	56	24	12 to 28	1.2	30	75	Ball	Leads	0.5
4394L	1	56	24	12 to 28	1.2	30	75	Ball	Terminals	0.5
4314M	2	82	24	12 to 28	2.6	39	75	Ball	Leads	0.5
4394M	2	82	24	12 to 28	2.6	39	75	Ball	Terminals	0.5
4314	3	100	24	12 to 28	5.0	45	75	Ball	Leads	0.5
4314/12	3	100	24	12 to 28	5.0	45	75	Ball	Leads	0.5
4314G	3	100	24	12 to 28	5.0	45	75	Sintec	Leads	0.5
4314S	3	100	24	12 to 28	5.0	45	75	Ball	Leads	0.5
4374	3	100	24	12 to 28	5.0	45	75	Ball	Terminals	0.5
4394	3	100	24	12 to 28	5.0	45	75	Ball	Terminals	0.5
4314-147	4	106	24	12 to 28	5.8	47	75	Ball	Leads	0.5
4314-180	5	120	24	12 to 26.5	9.5	51	75	Ball	Leads	0.5
<hr/>										
4318	3	100	48	36 to 53	5.0	45	75	Ball	Leads	0.5
4318/2	3	100	48	36 to 53	5.0	45	75	Ball	Leads	0.5
4398	3	100	48	36 to 53	5.0	45	75	Ball	Terminals	0.5

