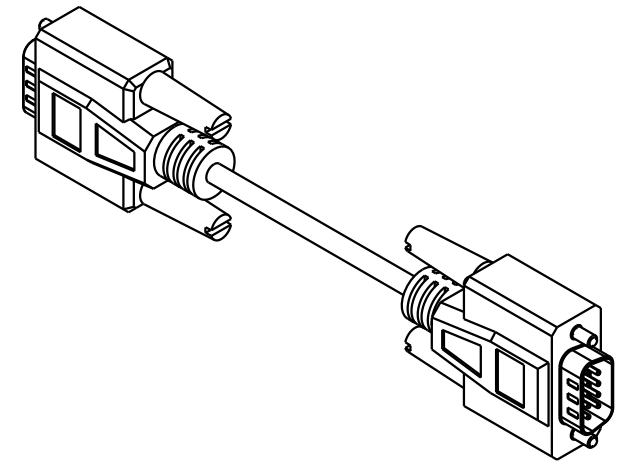
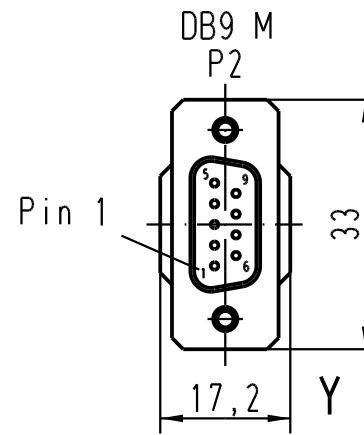
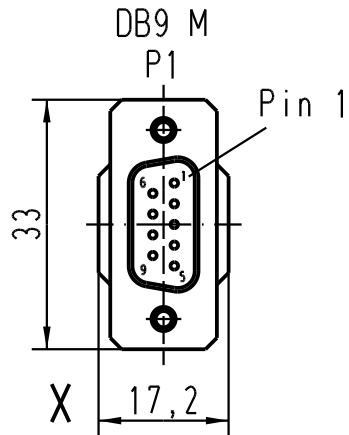


Stromlaufplan/
circuit diagram

P1		P2
1	—	1
2	—	2
3	—	3
4	—	4
5	—	5
6	—	6
7	—	7
8	—	8
9	—	9
SHIELD	—	SHIELD



All Dimensions in mm Original Size DIN A 4		Techn. Character.			Nicht tolerierte Masse / Free size tolerances	
			Dat.	Name	Maststab / Scale 1 : 1	Leitung SUB-D9 m-m, 2m, grau cable SUB-D9, m-m, 2m, grey
		Detail.	17.02.05	Loe.		
		Insp.		Be		
		Stand.				
411516	15.03.05	Loe.	HARTING Electric GmbH & Co. KG		TB 39 50 903 0010	Blatt / page
411474			D-32339 Espelkamp			
Mod.	Dat.	Name				
					Sub.	