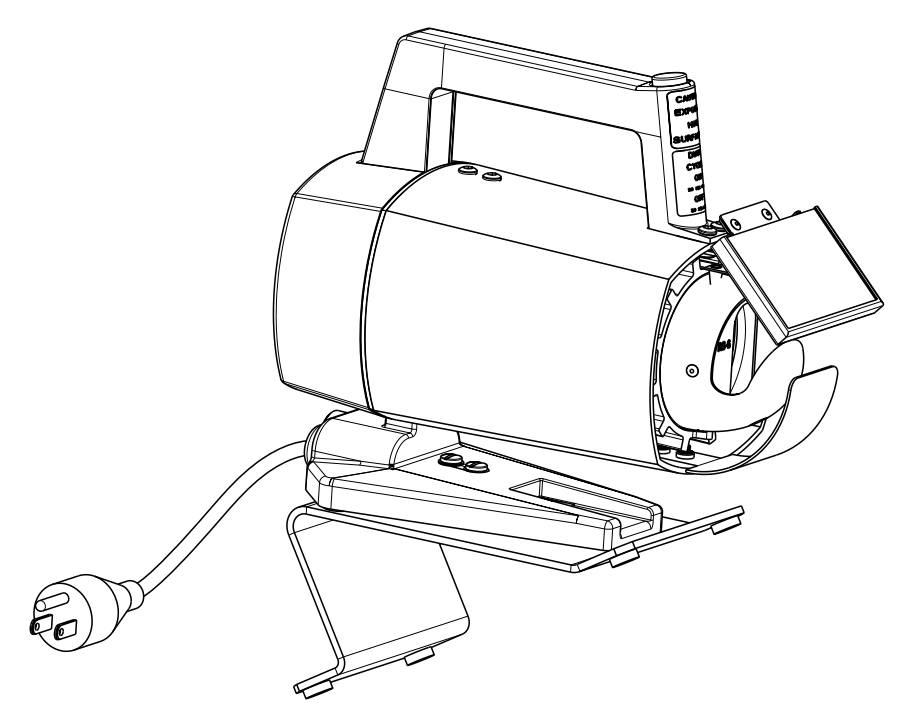
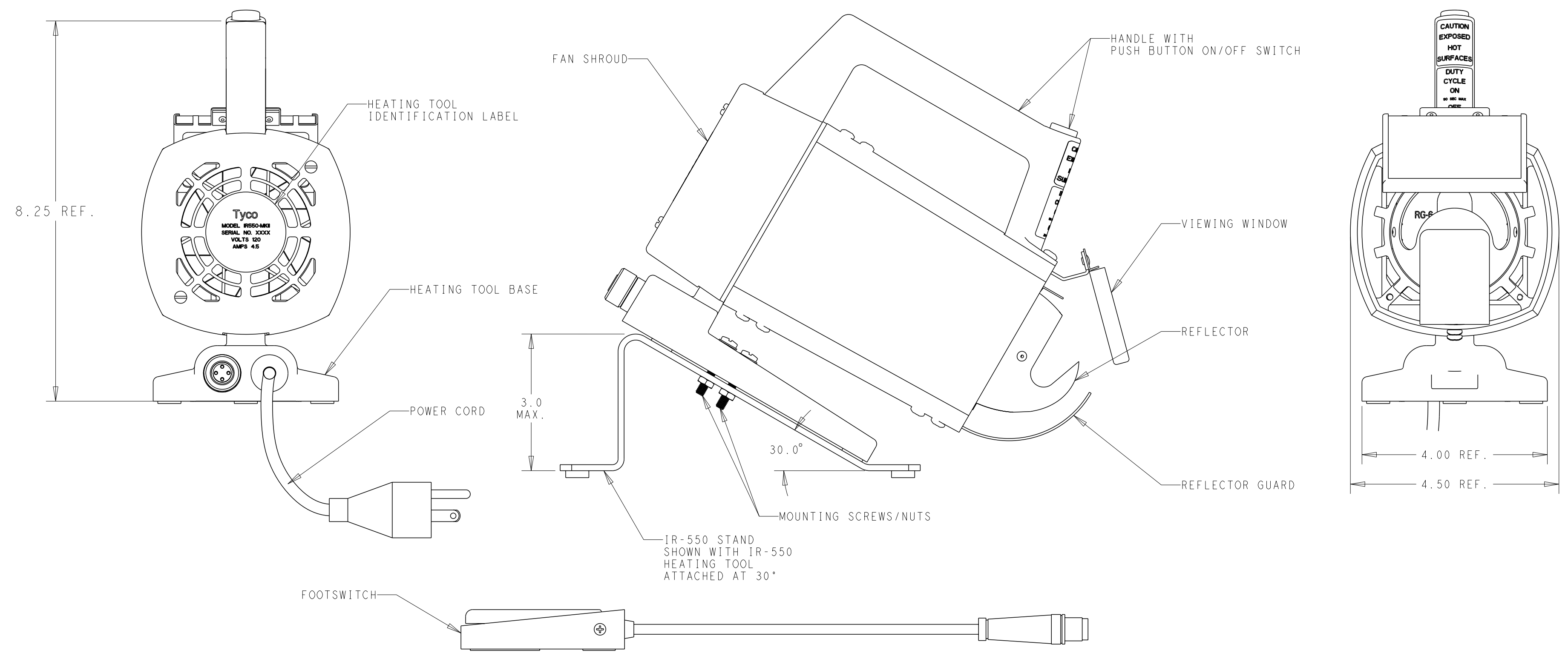


THIS DRAWING IS UNPUBLISHED. RELEASED FOR PUBLICATION 20
 © COPYRIGHT 20 BY - ALL RIGHTS RESERVED.

| REVISIONS | | | | | |
|-----------|-----|---------------------------|-----------|-----|------|
| P | LTR | DESCRIPTION | DATE | DWN | APVD |
| B | | REVISED PER DCR #AE-27 | 22APR1994 | - | GMR |
| C | | REVISED PER DCR #T996007 | 11MAY1999 | - | GMR |
| D | | REVISED PER ECO-15-010986 | 13JUL2015 | AG | HS |



NOTES:
 1. THIS IR-550 MKII HEATING TOOL MAY BE PURCHASED FROM RAYCHEM CORPORATION AS PCN: 994350-000.
 2. REFER TO IR-550 MARK II OPERATING AND MAINTANANCE MANUAL FOR COMPLETE OPERATING INSTRUCTIONS.
 3. SPECIFICATIONS:
 INPUT POWER - 105 TO 120 VAC.
 WEIGHT - 5.5 LBS APPROX.
 DUTY CYCLE - 80%, 90 SECOND HEATING TIMES.

If this document is printed it becomes uncontrolled. Check for the latest revision

| | | | | |
|---|--|-------------------------------|---|---------------------------|
| THIS DRAWING IS A CONTROLLED DOCUMENT. | | DWN A. GAD 13JUL2015 | TE Connectivity | |
| DIMENSIONS: INCHES | | CHK N. NAGAR 28JUL2015 | | |
| TOLERANCES UNLESS OTHERWISE SPECIFIED: | | APVD H. SMITH 28JUL2015 | NAME IR-550 MARK II HEATING TOOL ASSY 120 VAC SERVICE | |
| 0 PLC ± 1 PLC ± 2 PLC ± 3 PLC ± 4 PLC ± ANGLES ± FINISH - | | PRODUCT SPEC - | SIZE A2 | RESTRICTED TO - |
| MATERIAL - | | APPLICATION SPEC - | CAGE CODE - | DRAWING NO G-IR-550-50 |
| | | WEIGHT - | SCALE NTS | SHEET 1 OF 1 REV D |
| | | CUSTOMER DRAWING | | |