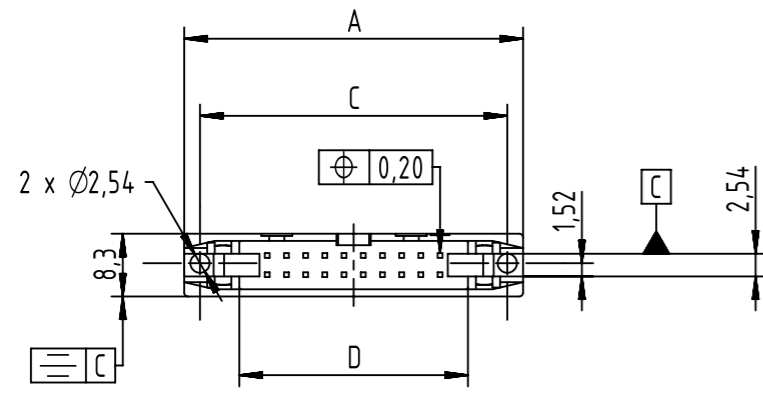
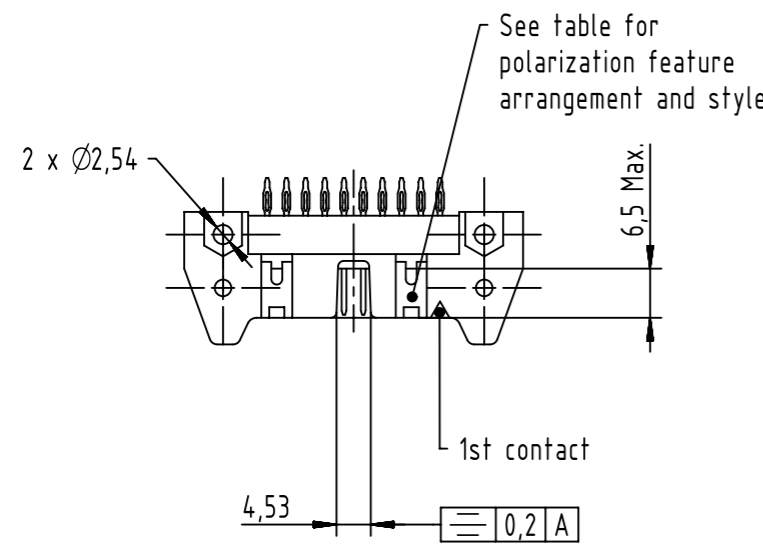
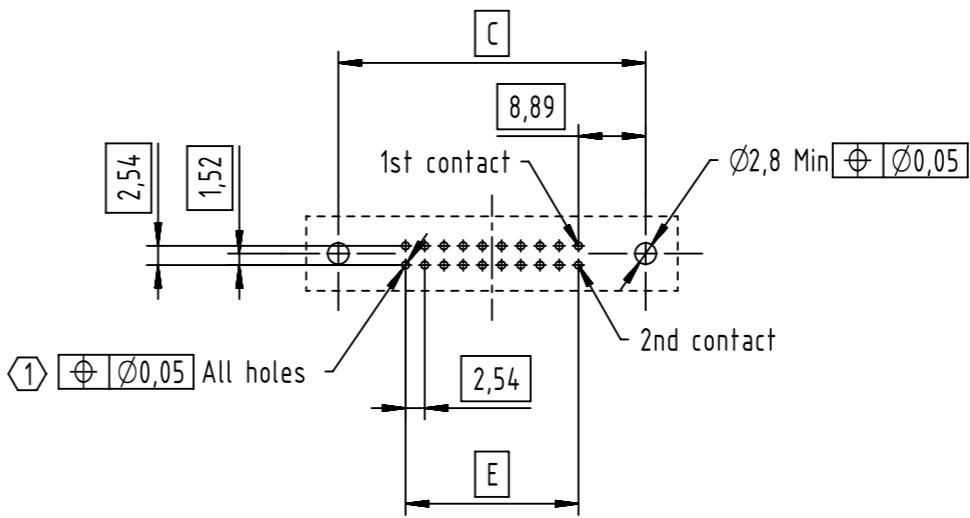


Polarization style table	
	Style A: For connectors 10 poles
	Style B: For connectors from 14 to 64 poles



PC-Board layout view component side



① Recommended plated through holes and further information see: DS 0918500001

	All Dimensions in mm Original Size DIN A3	Scale 1:1	Free size tol.	Ref.
	All rights reserved Department EC PD - FR	Created by DOUGE	Inspected by BAGDIKIAN	Standardisation HOFFMANN
HARTING Electronics GmbH D-32339 Espelkamp	Title SEK male standard press-in W/O lever			Doc-Key / ECM-Nr. 100548514/UGD/001/A 50000065736
	Type TB	Number 09185XXX929	Rev. A	Page 1/2

Performance Level							
	S4 : 0,76µm Au or equivalent PdNi	PL2 : 250 mating Cycles 4 day Gas Tests	PL3 : 50 mating Cycles No Gas Tests	Dimensions (mm)			
Nb of Contacts	Part Number	Part Number	Part Number	A	C	D	E
10	0918 510 5929	0918 510 6929	0918 510 7929	32,1	27,94	17,91	2,54 x 4 = 10,16
14	0918 514 5929	0918 514 6929	0918 514 7929	37,2	33,02	22,99	2,54 x 6 = 15,24
16	0918 516 5929	0918 516 6929	0918 516 7929	39,7	35,56	25,53	2,54 x 7 = 17,78
20	0918 520 5929	0918 520 6929	0918 520 7929	44,8	40,64	30,61	2,54 x 9 = 22,86
26	0918 526 5929	0918 526 6929	0918 526 7929	52,4	48,26	38,23	2,54 x 12 = 30,48
34	0918 534 5929	0918 534 6929	0918 534 7929	62,6	58,42	48,39	2,54 x 16 = 40,64
40	0918 540 5929	0918 540 6929	0918 540 7929	70,2	66,04	56,01	2,54 x 19 = 48,26
50	0918 550 5929	0918 550 6929	0918 550 7929	82,9	78,74	68,71	2,54 x 24 = 60,96
60	0918 560 5929	0918 560 6929	0918 560 7929	95,6	91,44	81,41	2,54 x 29 = 73,66
64	0918 564 5929	0918 564 6929	0918 564 7929	100,7	96,52	86,49	2,54 x 31 = 78,74

	All rights reserved	Created by DOUGE	Inspected by BAGDIKIAN	Standardisation HOFFMANN	Date 2013-09-05	State Final Release
	Department EC PD - FR	Title SEK male standard press-in W/O lever				Doc-Key / ECM-Nr. 100548514/UGD/001/A 50000065736
HARTING Electronics GmbH D-32339 Espelkamp		Type TB	Number 09185XXX929		Rev. A	Page 2/2