

DETAILS

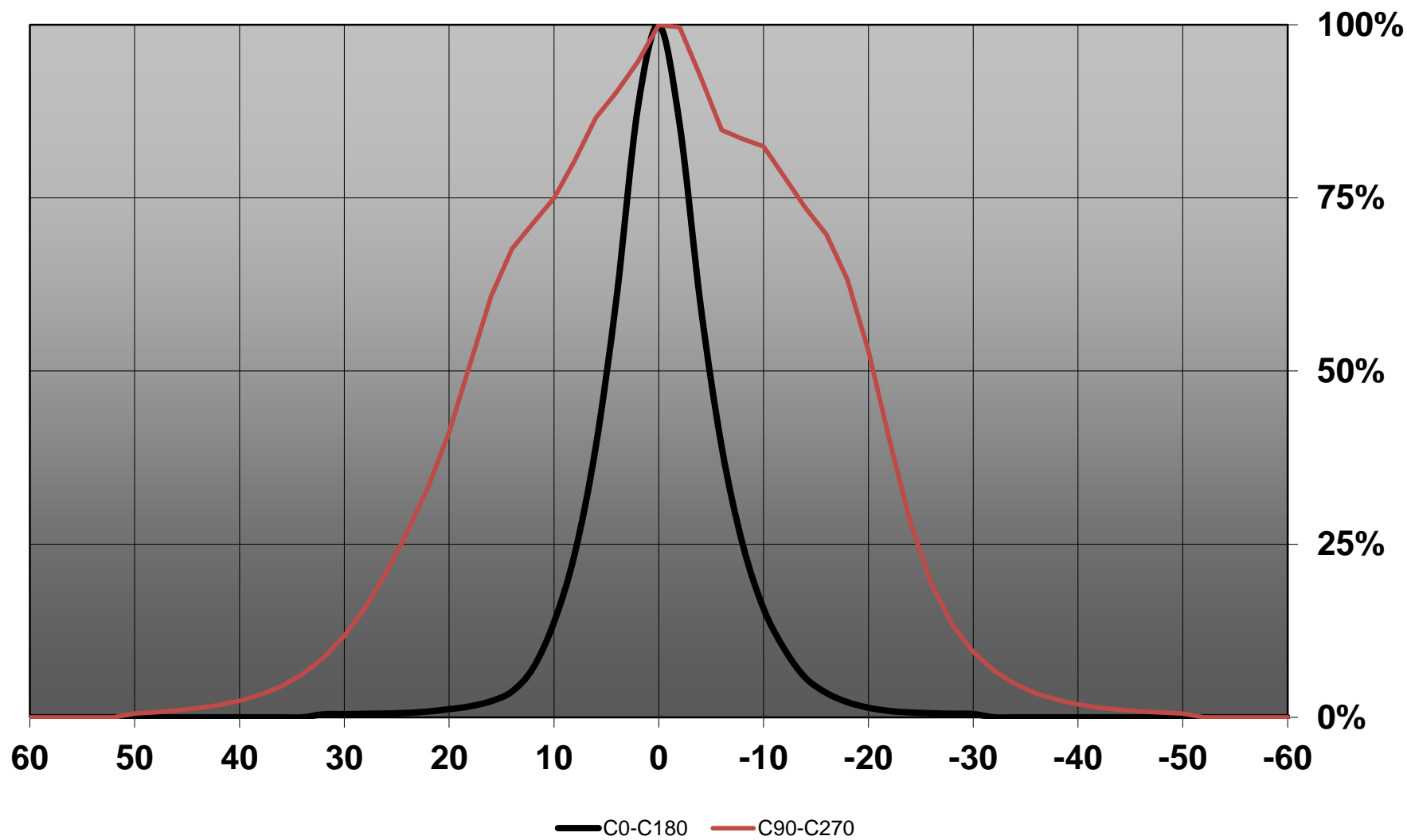
Product Number	CA12629_LR2-O-90
Family	Leila
Type	Assembly
Color	white
Diameter	21,6 mm
Height	14,8 mm
Style	round
Optic Material	PMMA
Holder Material	
Fastening	tape, pin
Status	production ready
ROHS Compliant	Yes
Date Updated	17/10/2013



OPTICAL PROPERTIES

LED	Viewing	Light	Efficiency	cd/lm	Connector
	Angle	Beam			
XP-L	16+39 deg	O-90	89 %	3.300	-
LUXEON Rebel ES	13+36 deg	O-90	92 %	4.700	-
LUXEON T	14+39 deg	O-90	88 %	4.100	-
LUXEON Z ES	10+40 deg	O-90	89 %	6.000	-
LUXEON TX	14+41 deg	O-90	90 %	4.200	-
NVSxx19B/NVSxx19C	13+43 deg	O-90	94 %	4.100	-
Oslo Square EC	14+34 deg	O-90	88 %	4.300	-

Relative intensity of CA12629_LR2-O-90_(Luxeon Z ES)

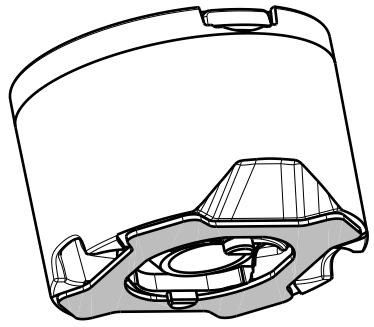


D

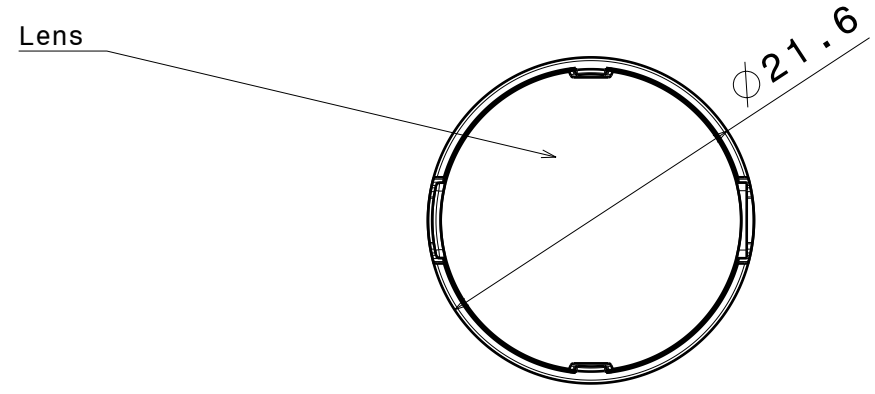
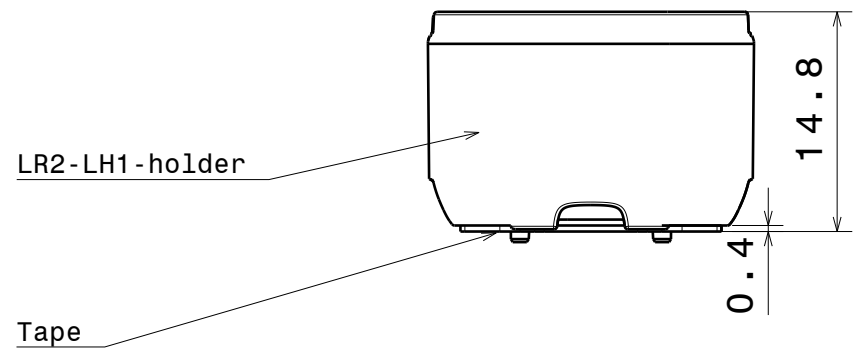
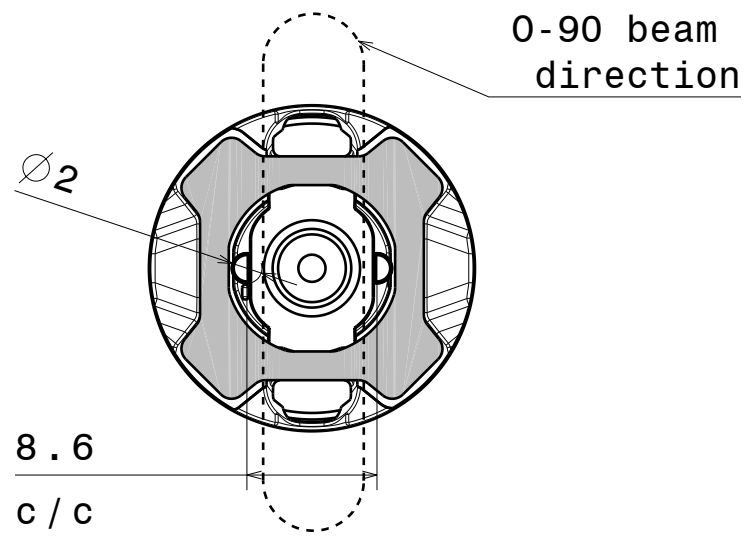
C

B

A



Isometric view



Materials:
 Lens: PMMA
 Holder: PC white
 Tape: PU FOAM

This drawing is our property.
 It can't be reproduced
 or communicated without
 our written agreement.



Ledil Oy
 Salorankatu 10
 FIN-24100 SALO
 Finland

DRAWING TITLE

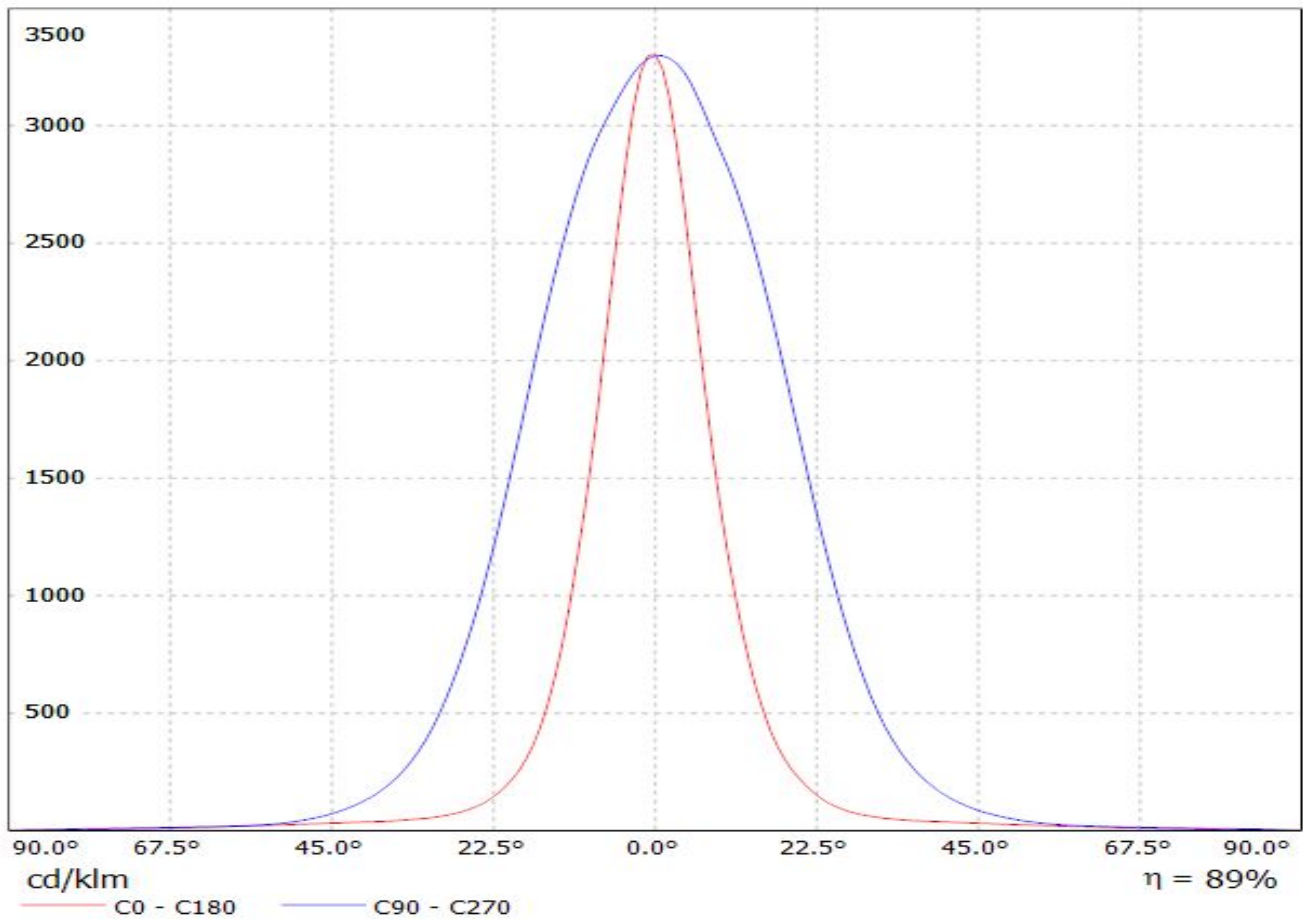
Datasheet LR2-ES series

DRAWN BY ah	DATE 27.1.2012	SIZE A4			DRAWING NUMBER		REV 3
CHECKED BY sn	DATE 27.1.2012	SCALE 1:1		WEIGHT (g)		SHEET 1/1	
DESIGNED BY pl	DATE 27.08.2010						

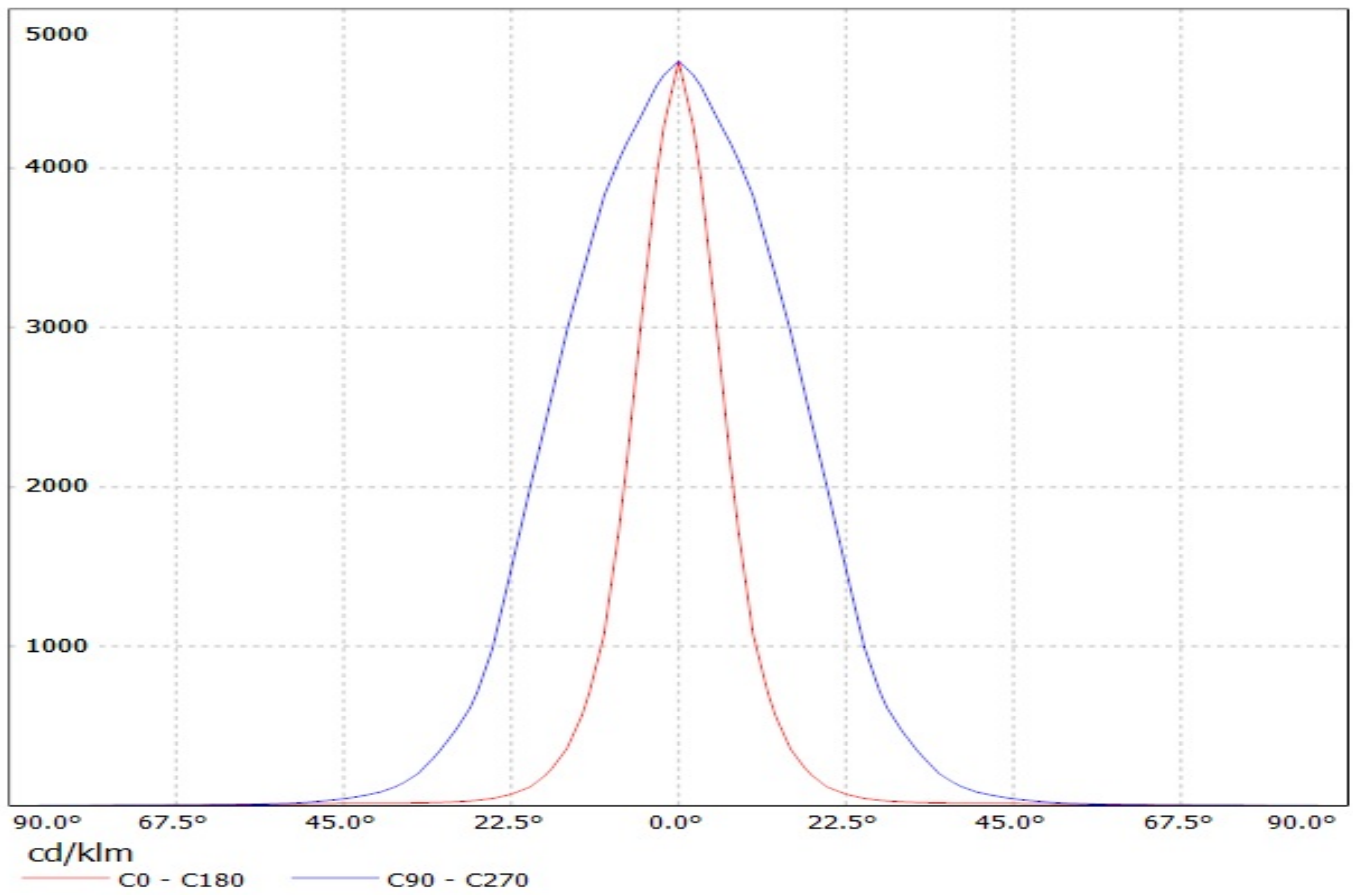
D

A

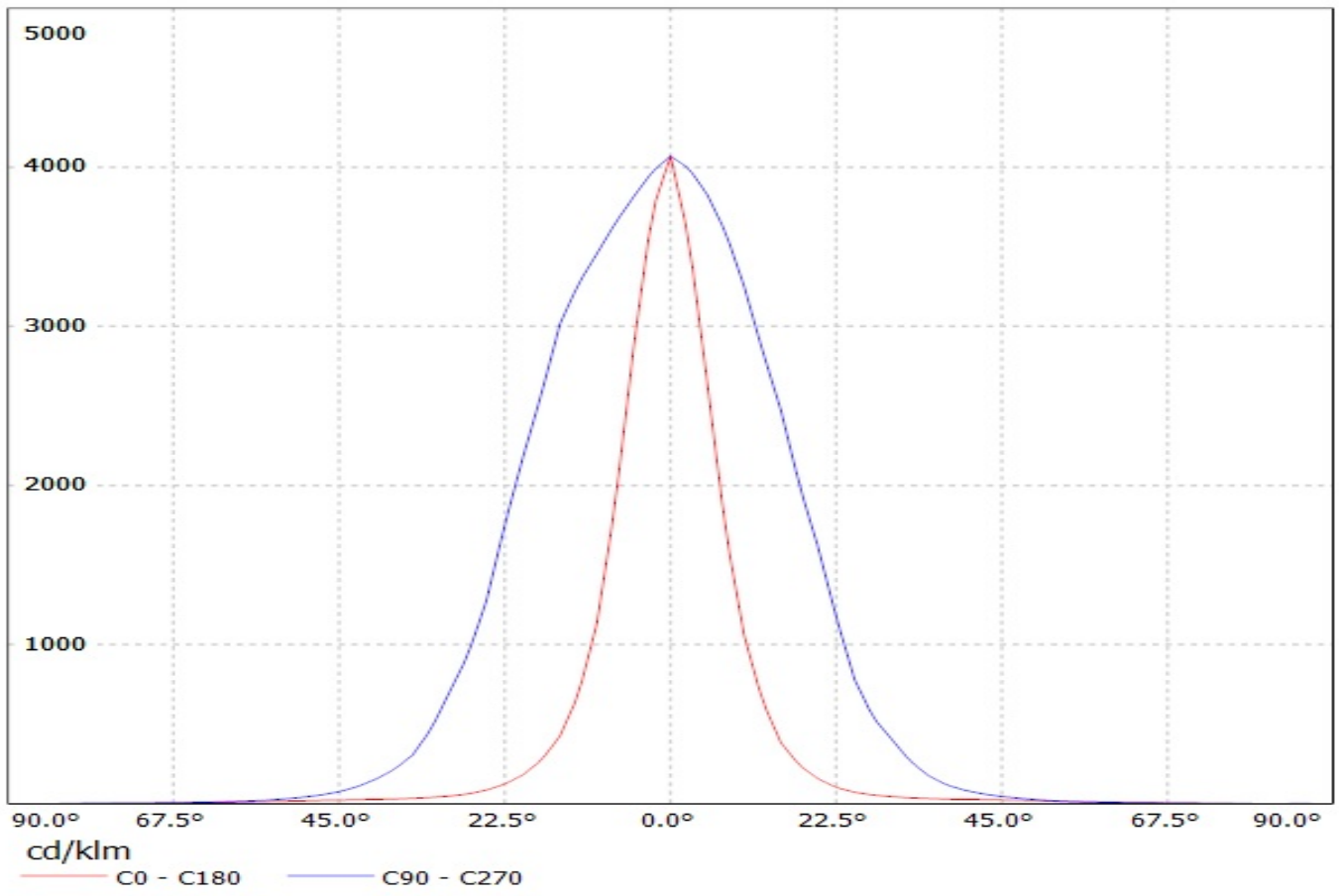
Luminaire: LEDiL Oy CA12629_LR2-O-90_(XP-L) Eff 89.3%
Lamps: 1 x Cree_XP-L_127.813lm@250mA_P=0.73723W_I=249.9mA



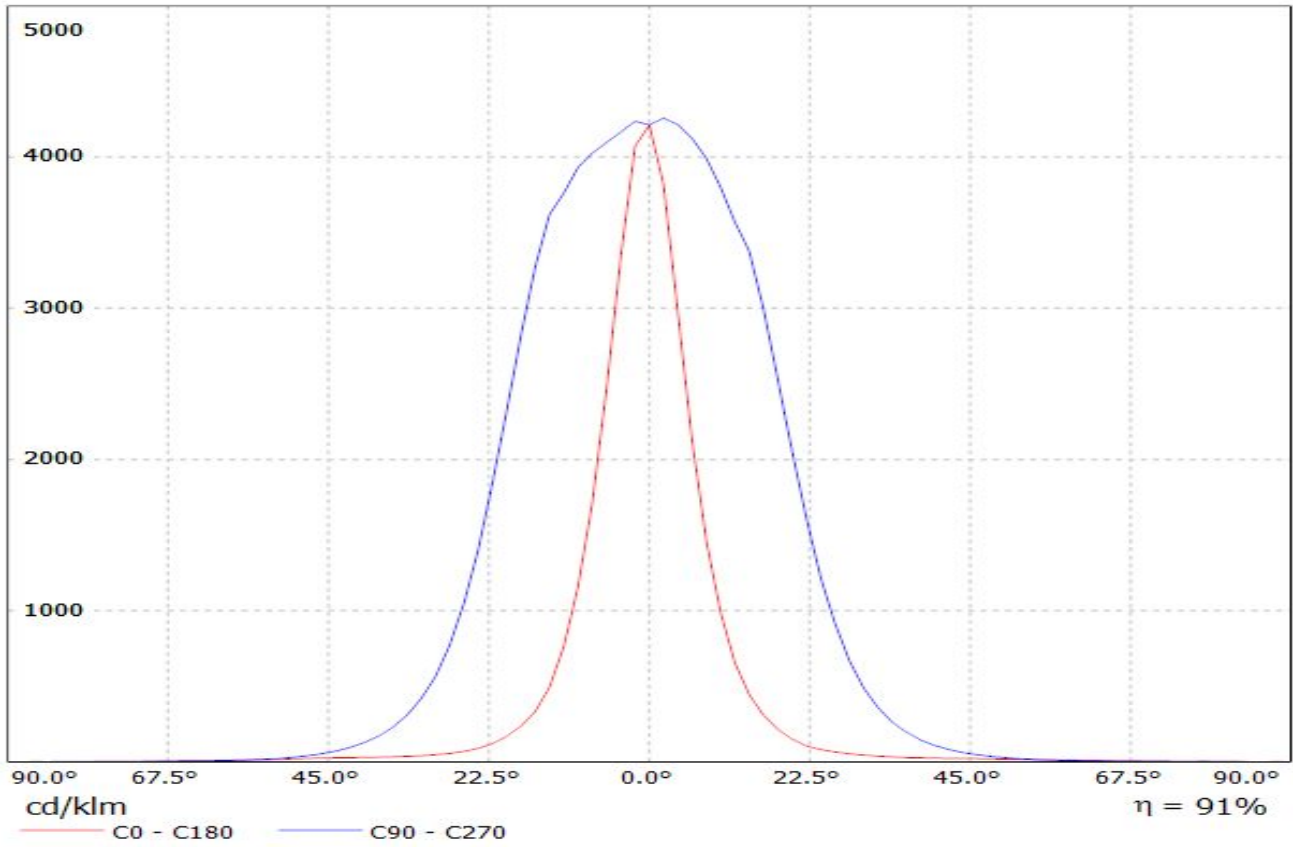
Luminaire: Ledil Oy CA12629_LR2-O-90 (Luxeon Rebel-ES 89lm @ 250mA) Efficiency=92%
Lamps: 1 x Luxeon Rebel-ES 89lm @ 250mA



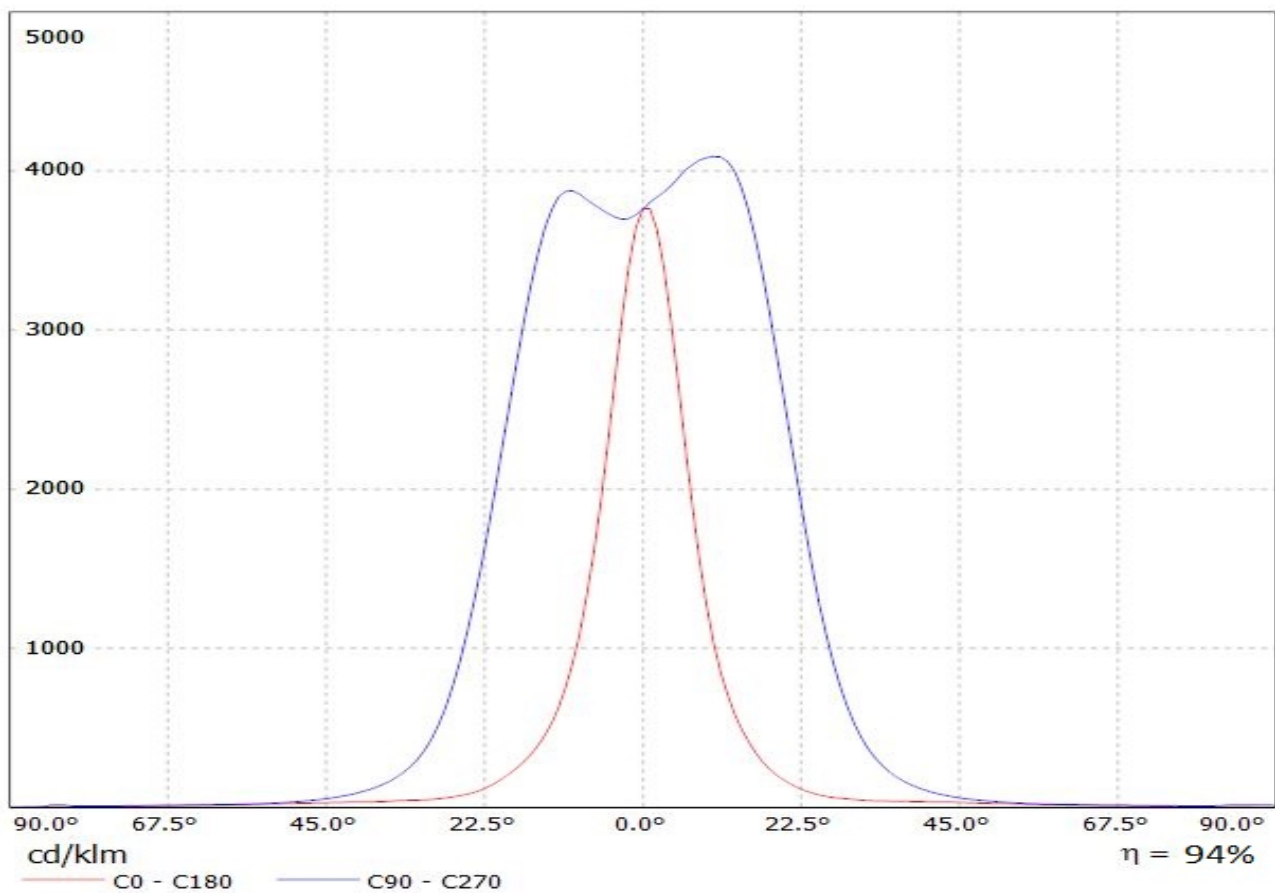
Luminaire: Ledil Oy CA12629_LR2-O-90 (Luxeon T 72 lm @ 250mA) Efficiency= 88%
Lamps: 1 x Luxeon T 72 lm @ 250 mA



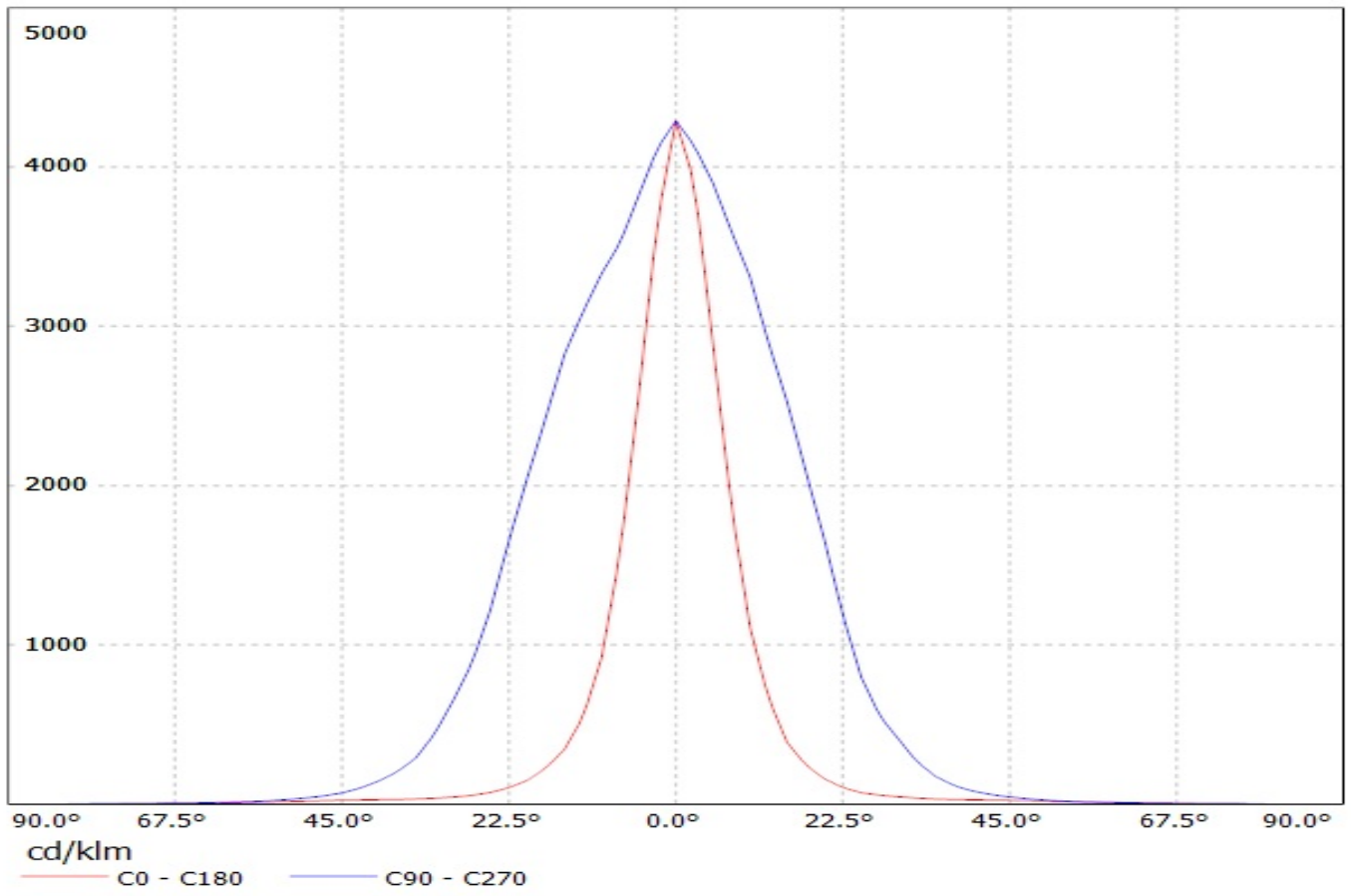
Luminaire: Ledil Oy CA12629_LR2-O-90_(Luxeon_TX) Efficiency=90%
Lamps: 1 x Luxeon TX 108lm @ 250mA CCT= P=0.73W I=250mA



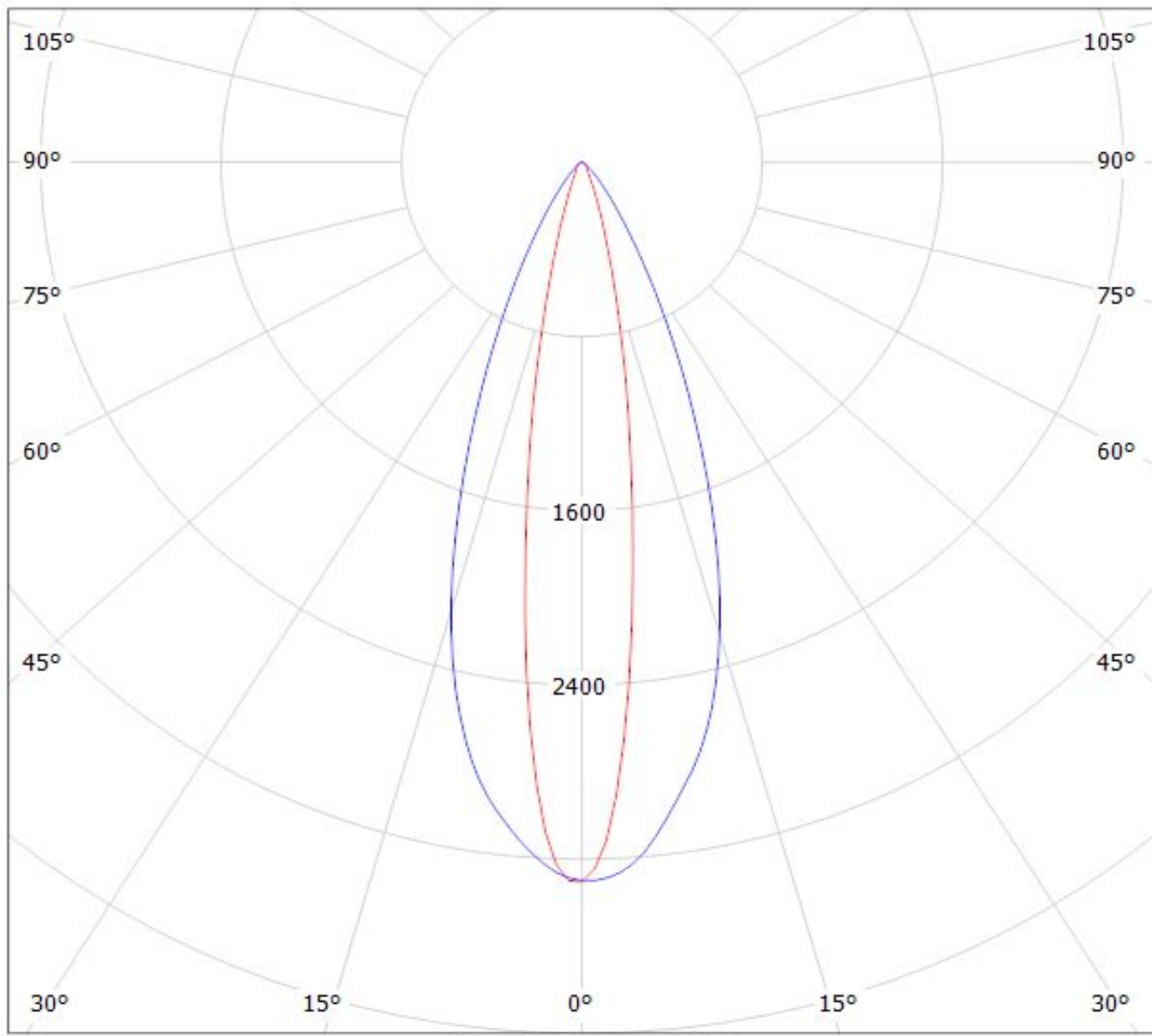
Luminaire: LEDiL Oy CA12629_LR2-O-90_(NVSL219CE)
Lamps: 1 x Nichia_NVSL219CE_101.052lm@250mA_P=0.713154W_I=0.25A



Luminaire: Ledil Oy CA12629_LR2-O-90 (OSram Square EC 63lm @250mA) Efficiency=88%
Lamps: 1 x OSram Square EC 63lm @250mA



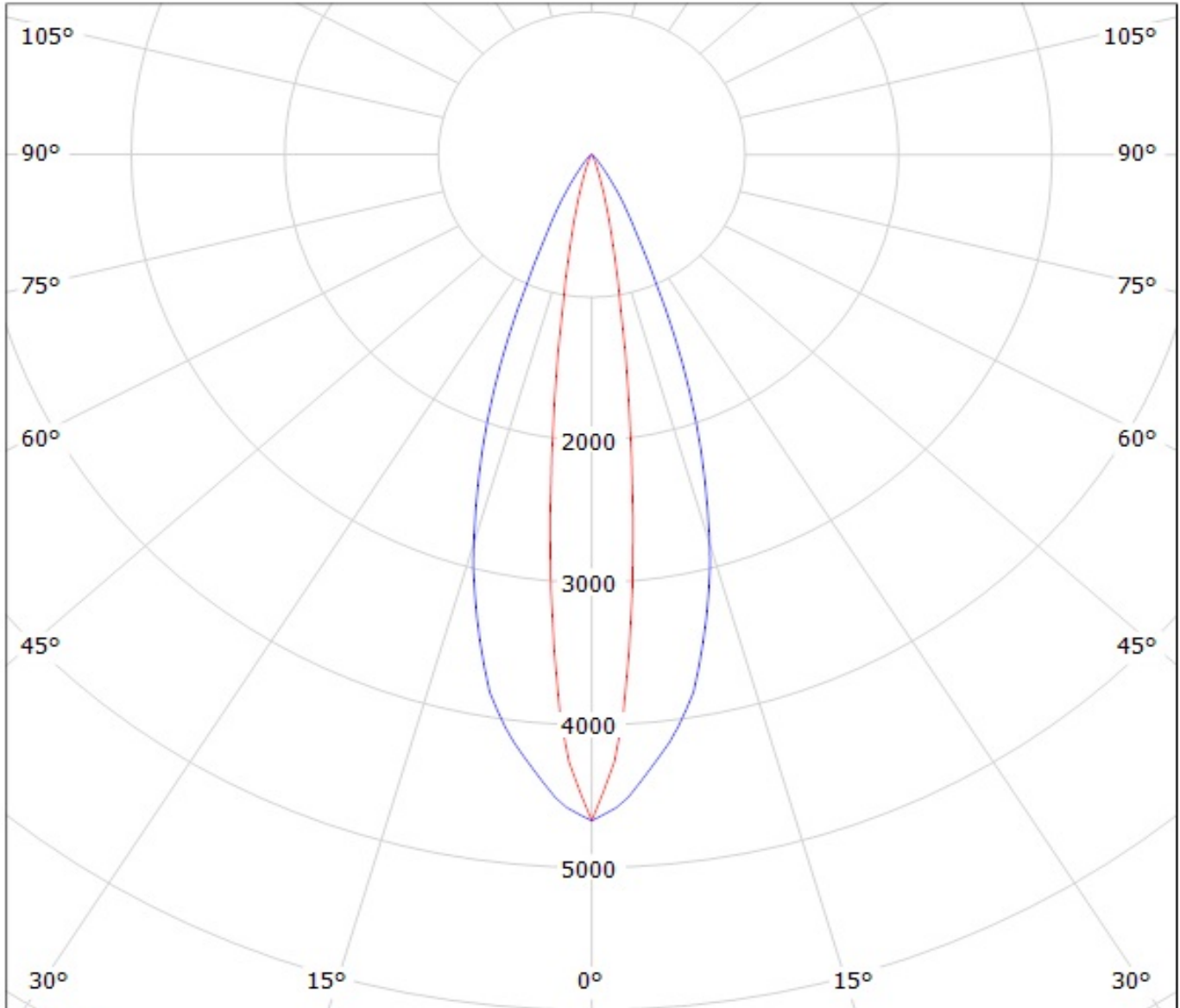
Luminaire: LEDiL Oy CA12629_LR2-O-90_(XP-L) Eff.89.3%
Lamps: 1 x Cree_XP-L_127.813lm@250mA_P=0.73723W_I=249.9mA



cd/klm
— C0 - C180 — C90 - C270

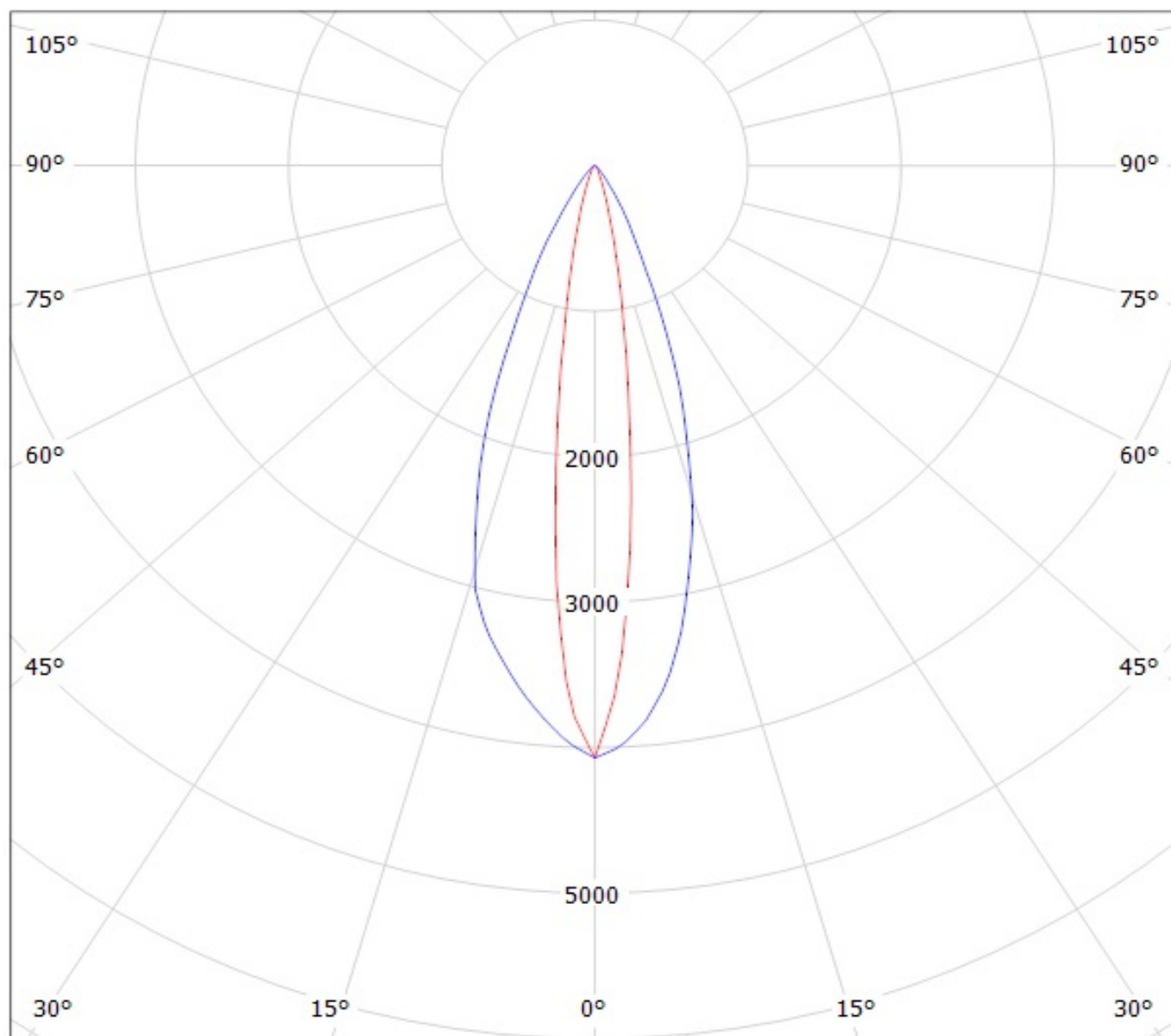
$\eta = 89\%$

Luminaire: Ledil Oy CA12629_LR2-O-90 (Luxeon Rebel-ES 89lm @ 250mA) Efficiency=92%
Lamps: 1 x Luxeon Rebel-ES 89lm @ 250mA



cd/klm
— C0 - C180 — C90 - C270

Luminaire: Ledil Oy CA12629_LR2-O-90 (Luxeon T 72 lm @ 250mA) Efficiency= 88%
Lamps: 1 x Luxeon T 72 lm @ 250 mA

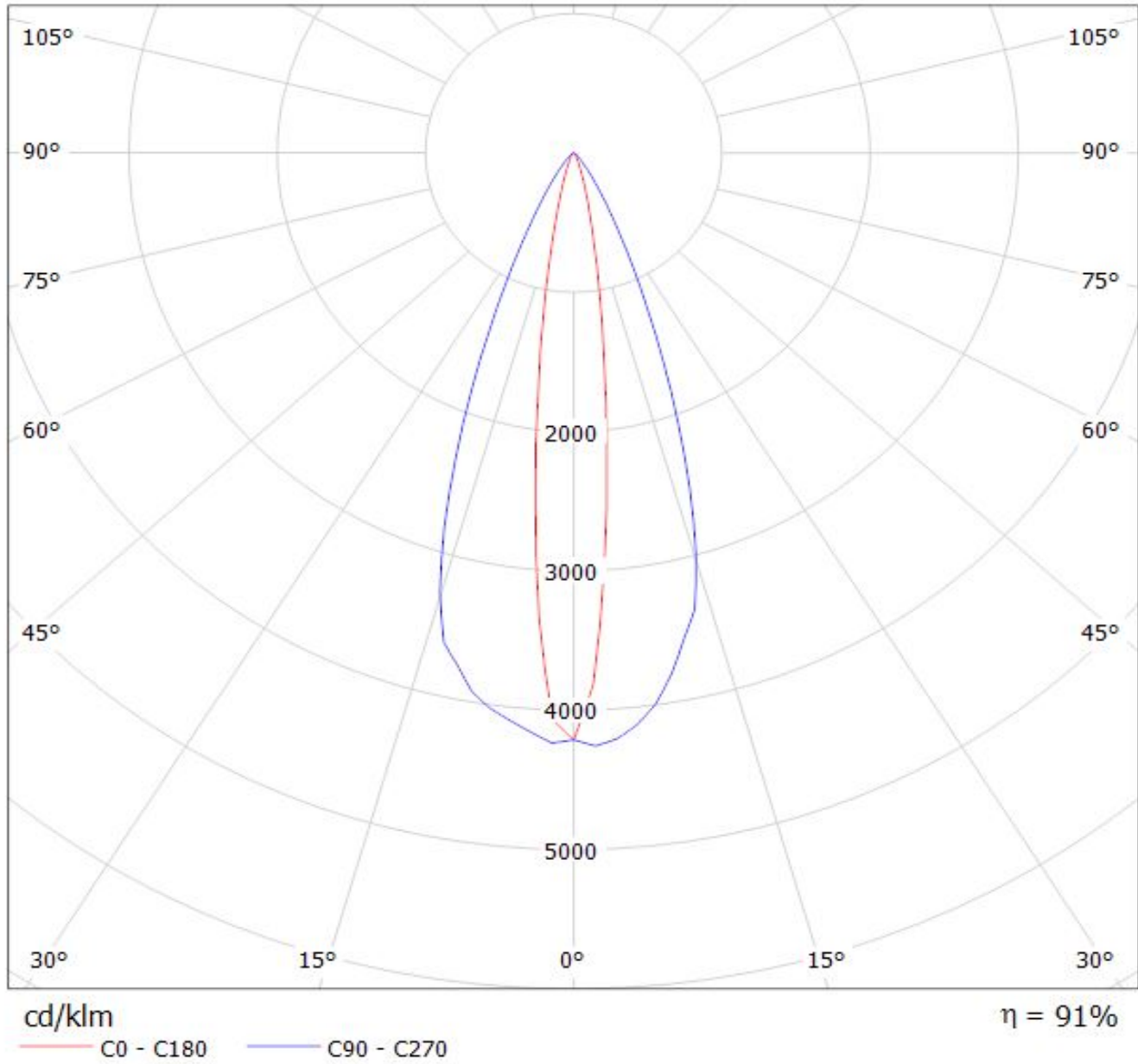


cd/klm

— C0 - C180

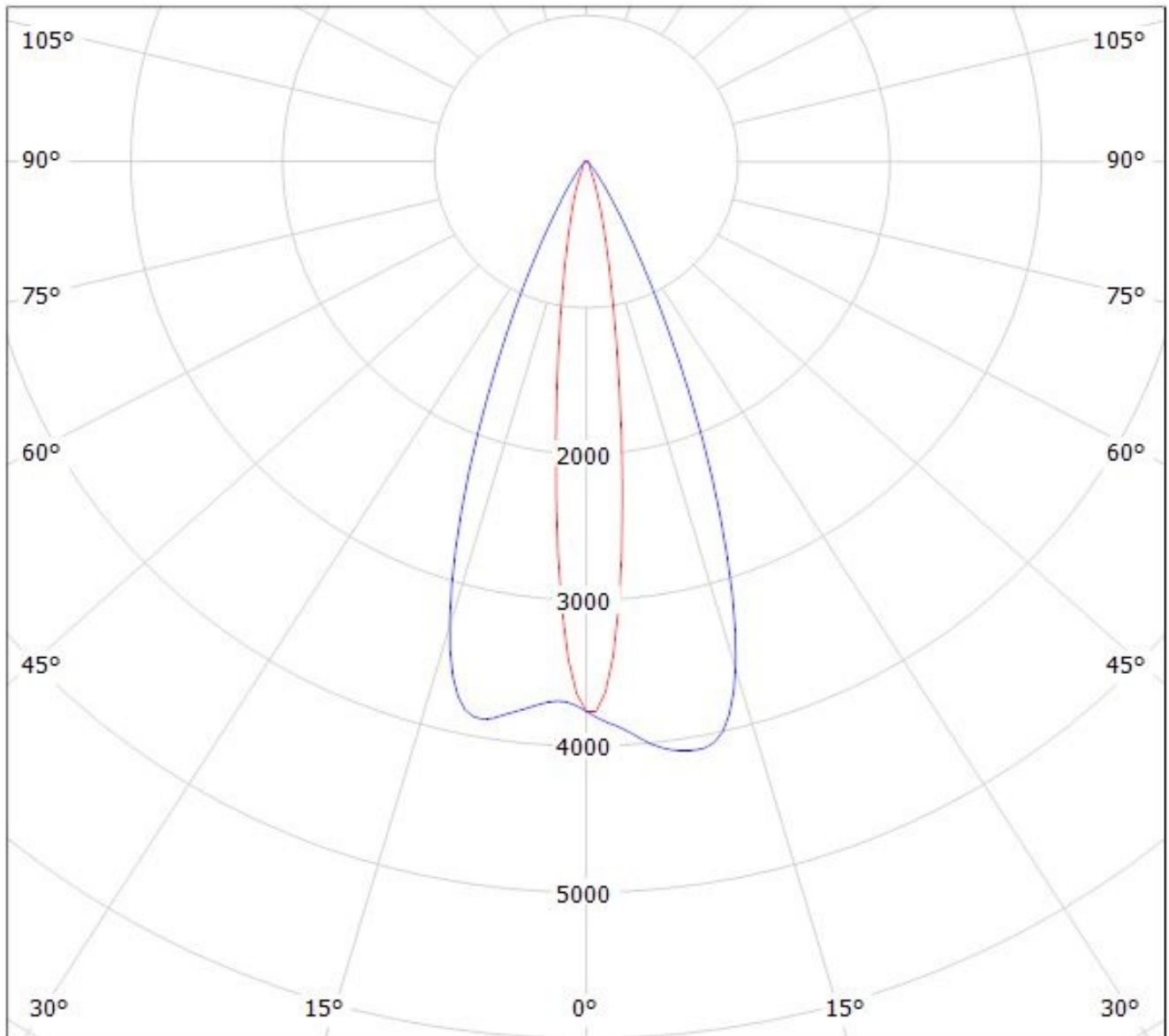
— C90 - C270

Luminaire: Ledil Oy CA12629_LR2-O-90_(Luxeon_TX) Efficiency=90%
Lamps: 1 x Luxeon TX 108lm @ 250mA CCT= P=0.73W I=250mA



Luminaire: LEDiL Oy CA12629_LR2-O-90_(NVSL219CE)

Lamps: 1 x Nichia_NVSL219CE_101.052lm@250mA_P=0.713154W_I=0.25A



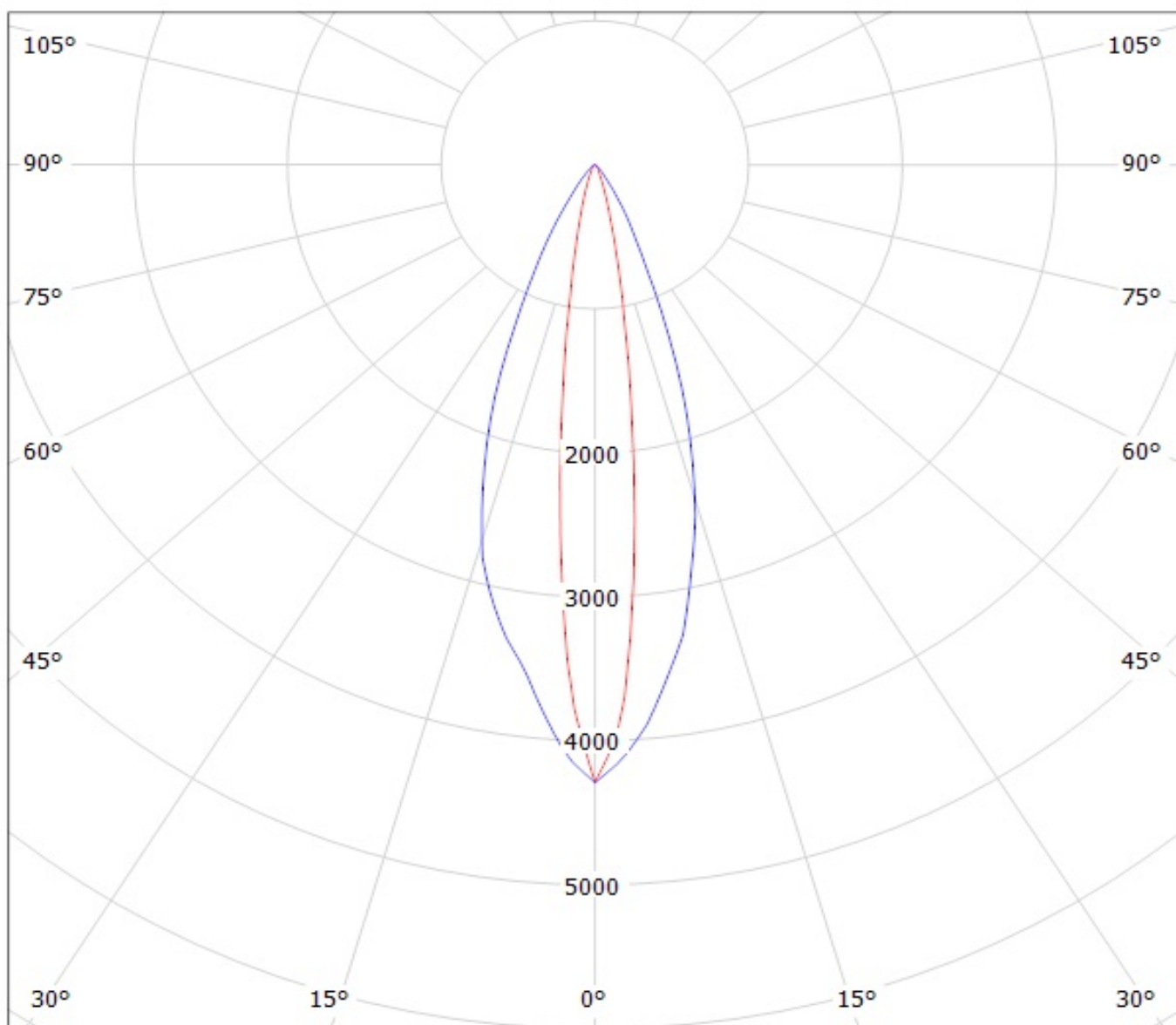
cd/klm

— C0 - C180

— C90 - C270

$\eta = 94\%$

Luminaire: Ledil Oy CA12629_LR2-O-90 (OSram Square EC 63lm @250mA) Efficiency=88%
Lamps: 1 x OSram Square EC 63lm @250mA



cd/klm

— C0 - C180

— C90 - C270

NOTE: The typical divergence will be changed by different color, chip size and chip position tolerance. The typical total divergence is the full angle measured where the luminous intensity is half of the peak value.