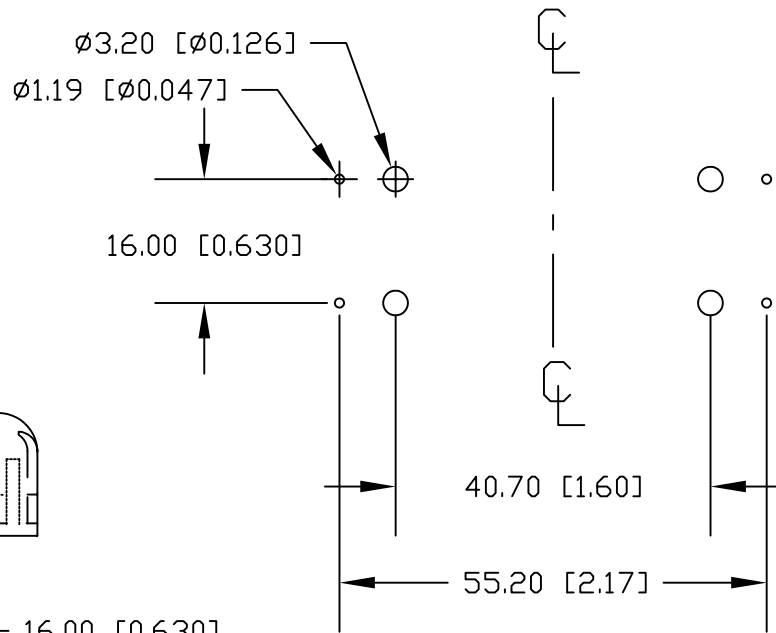
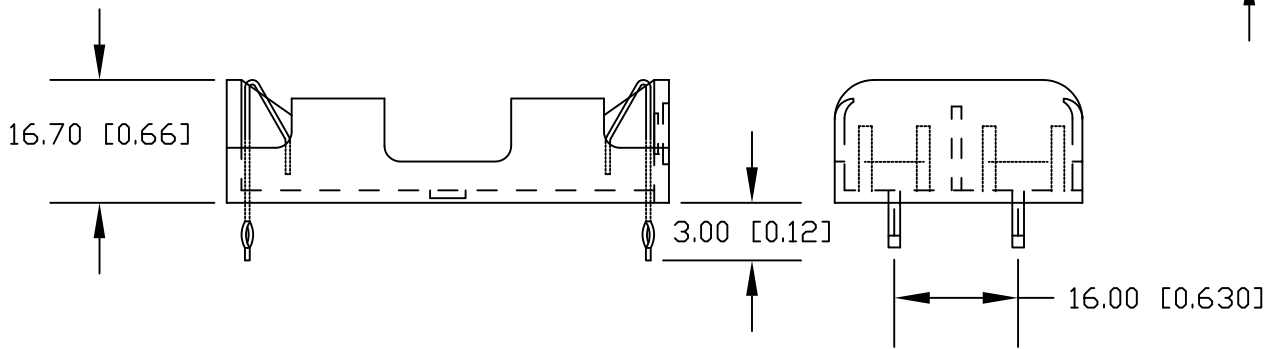
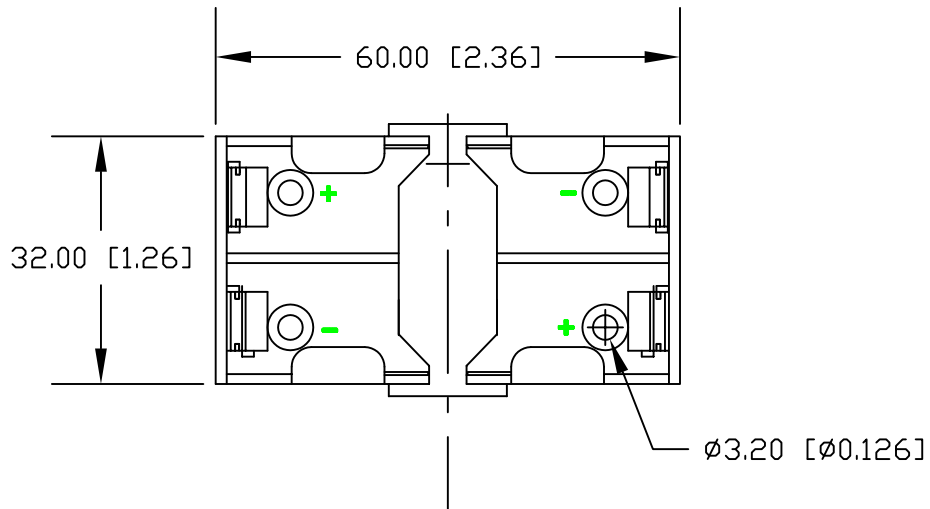



Date	SYM	REVISION RECORD	AUTH	DR.	CK.
5/26/07	A	ADDED TEST RESULTS	T.B.	B.S.	
9/04/08	B	UPDATED POS. AND NEG. SIGN	T.B.	B.S.	



## PCB LAYOUT

### NOTES:

Material: Polypropylene, UL94V-0, UL file No. E255317  
 Contacts: 302 Stainless Steel Spring Temper, Nickel Plated  
 Cover: Polypropylene, UL94V-0  
 Heat Deflection Temperature: 90°C  
 Vibration Test: 10-50-10 Hz swept in 60 seconds  
 X,Y,Z direction: 1 hour each direction  
 Result: No dislodgement of the cell or damage  
 No discontinuity over 10 micro-seconds  
 Shock Test: Half sine wave acceleration 150G. 6 micro-seconds  
 3 shock pulses each direction per axis, total of 18 pulses  
 Result: No evidence of physical damage.  
 ROHS COMPLIANT

Tolerance (Inches)	 Memory Protection Devices, Inc 200 Broad Hollow Road, Farmingdale, New York 11735		
Decimal		Scale	Drawn By B.S.
$\pm .5$ (.020)			Approved By T.B.
Fractional	Title		
$\pm .8$ (.030)	2 "AA" BATTERY HOLDER FOR MEMORY BACKUP		
Angular	Date	Drawing Number	
$\pm 3^\circ$	9/04/08	BK-6100-PC4	