

MATERIALS AND FINISHES

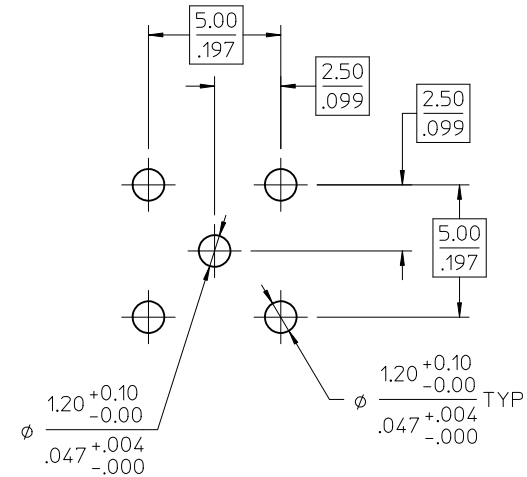
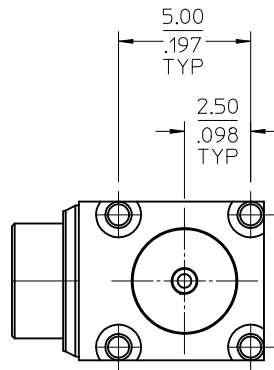
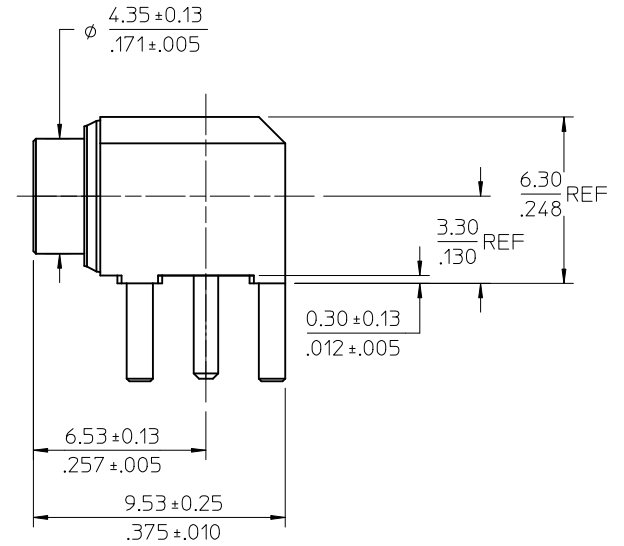
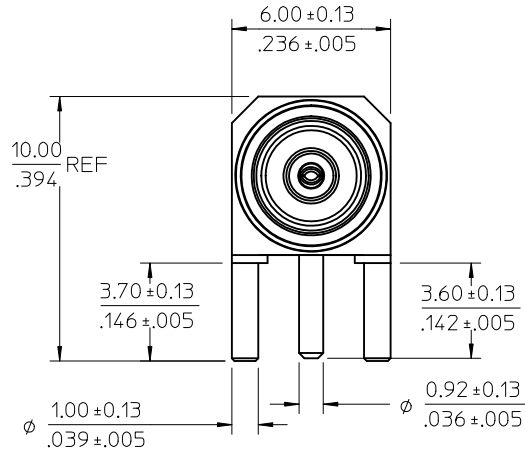
(73366-0030/73366-0031)  
FRONT BODY BRASS  
PLATED NICKEL

(73366-0032)  
FRONT BODY BRASS  
PLATED GOLD

CENTER CONTACT BERYLLIUM COPPER  
PLATED GOLD

INSULATOR TEFLON

HOUSING ZINC ALLOY  
PLATED TIN

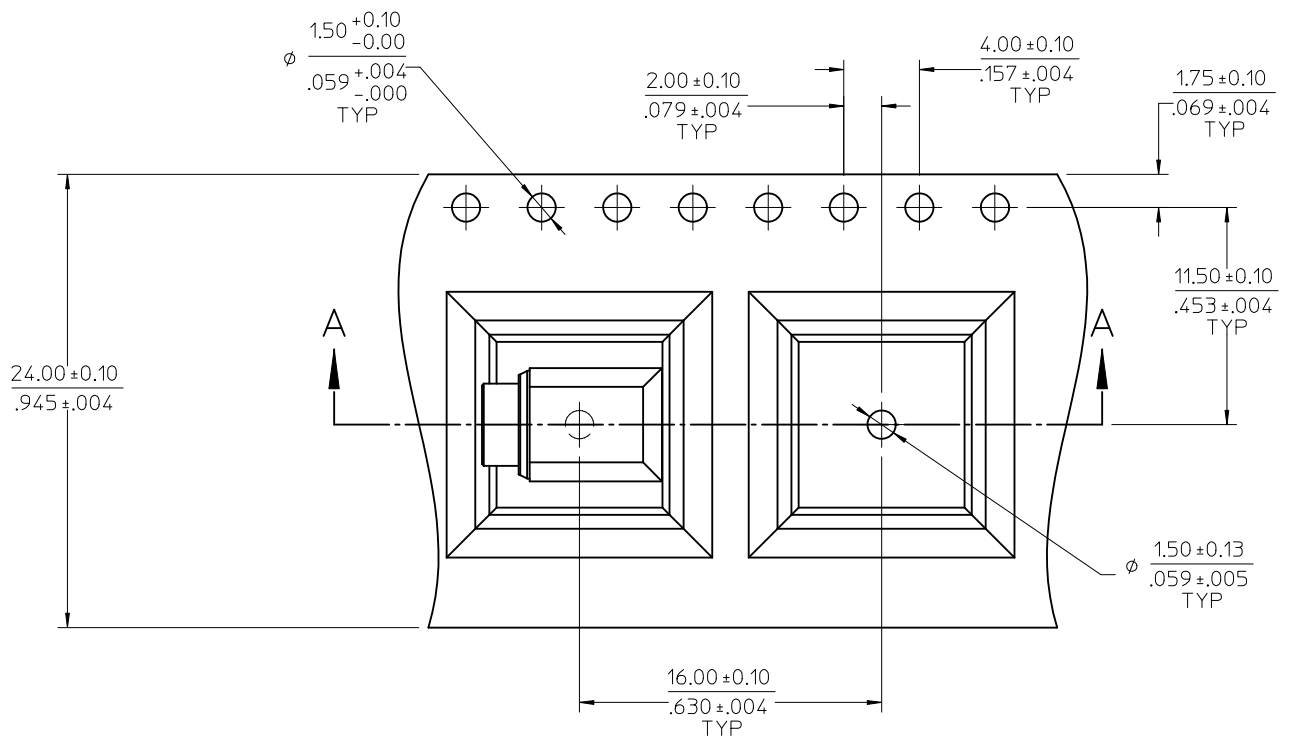


RECOMMENDED MOUNTING PATTERN

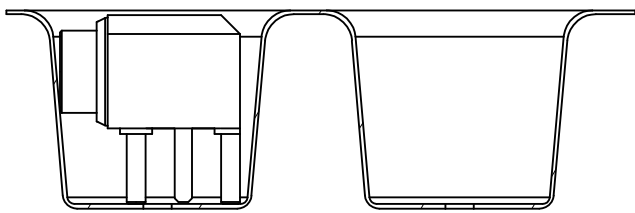
73366-0035	73366-0030 PACKED ONE PER BAG
73366-0034	73366-0031 SMALL TRAY
73366-0033	73366-0030 SMALL TRAY
73366-0032	TAPE & REEL
73366-0031	GENERAL
73366-0030	GENERAL
PART NO.	PACKAGING DESCRIPTION

PS-89675-1830	PRODUCT SPECIFICATION
SPECIFICATION	DESCRIPTION

CHG: ADD -0035 PS WAS 73598-0132 EC NO: URF2011-0749 DRWN: WIENER 2011/06/14 CHKD: SSS 2011/06/14 APPR: WIENER 2011/06/14 C6	QUALITY SYMBOLS ▽=0 ▽=0	GENERAL TOLERANCES (UNLESS SPECIFIED) mm INCH 4 PLACES ± --- ± --- 3 PLACES ± --- ± --- 2 PLACES ± --- ± --- 1 PLACE ± --- ± --- ANGULAR ± 2°	DIMENSION STYLE MM/IN DRAWN BY DATE LYNN 2000/02/10 CHECKED BY DATE PENNY 2000/02/10 APPROVED BY DATE MI SEN 2000/02/10	SCALE DESIGN UNITS METRIC THIRD ANGLE PROJECTION	TITLE MCX JACK R/A PCB 50 OHM MCX-J/RA/PCB	MATERIAL NO. SEE NOTES	DOCUMENT NO. SD-73366-003	SHEET NO. 1 OF 3
		DRAFT WHERE APPLICABLE MUST REMAIN WITHIN DIMENSIONS THIS DRAWING CONTAINS INFORMATION THAT IS PROPRIETARY TO MOLEX INCORPORATED AND SHOULD NOT BE USED WITHOUT WRITTEN PERMISSION						

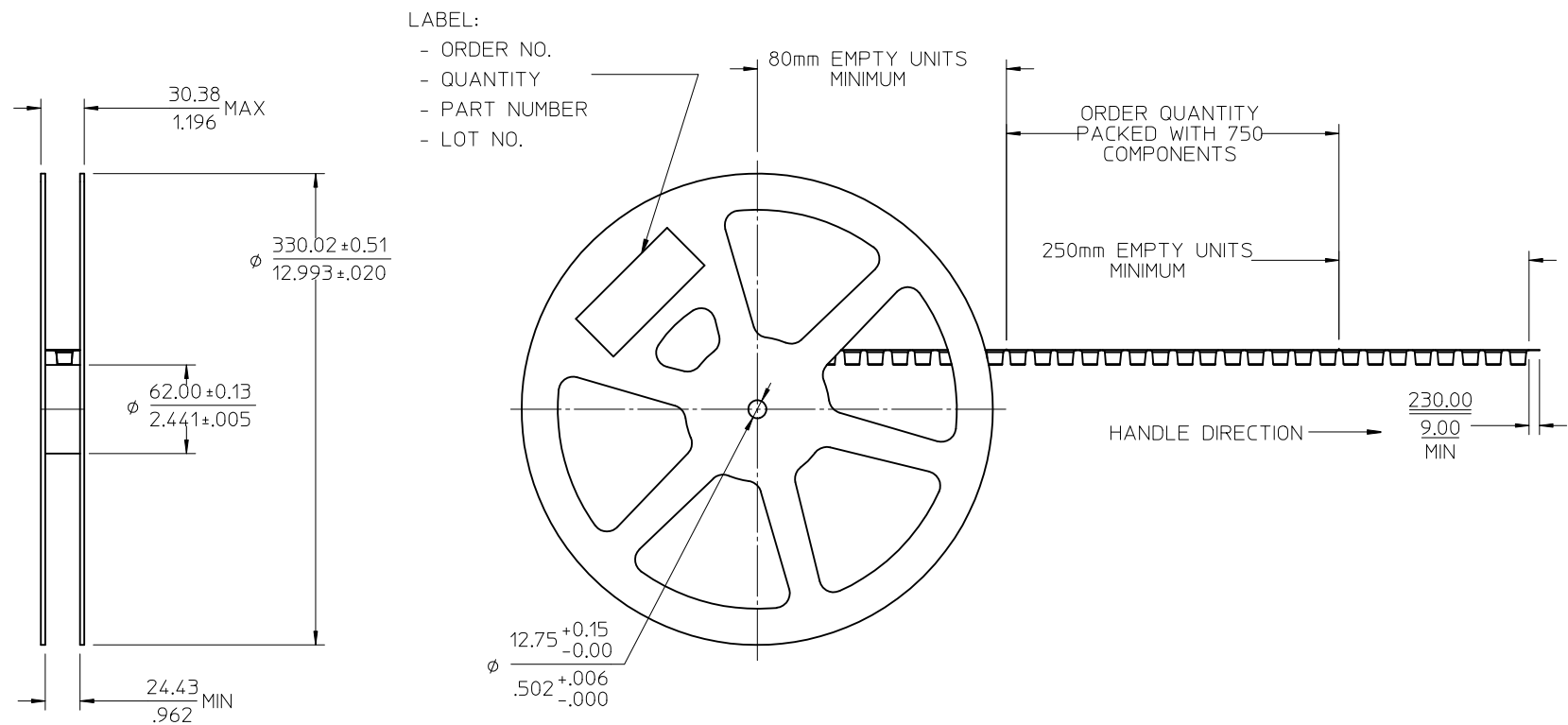


NOTE:  
1. 10 PITCHES CUMULATIVE TOLERANCE ±0.20(0.008)



SECTION A-A

CHG: SEE SHEET 1 EC NO: URF2011-0749 DRWN: JWIENER CHKD: SSS APPR: JWIENER 2011/06/14 2011/06/14 2011/06/14	QUALITY SYMBOLS ▽=0 ▽=0	GENERAL TOLERANCES (UNLESS SPECIFIED)		DIMENSION STYLE MM/IN		SCALE	DESIGN UNITS METRIC	THIRD ANGLE PROJECTION			
		4 PLACES ± --- ± ---	3 PLACES ± --- ± ---	2 PLACES ± --- ± ---	1 PLACE ± --- ± ---	DRAWN BY LYNN	DATE 2000/02/10	TITLE MCX JACK R/A PCB 50 OHM MCX-J/RA/PCB			
		ANGULAR ± 2 °				CHECKED BY PENNY	DATE 2000/02/10	APPROVED BY MISEN			
		DRAFT WHERE APPLICABLE MUST REMAIN WITHIN DIMENSIONS				MATERIAL NO. SEE SHEET 1	DATE 2000/02/10	MOLEX INCORPORATED		DOCUMENT NO. SD-73366-003	SHEET NO. 2 OF 3



CHG: SEE SHEET 1 EC NO: URF2011-0749 DRWN: WIENER 2011/06/14 CHKD: SSS 2011/06/14 APPR: WIENER 2011/06/14	QUALITY SYMBOLS ▽=0 ▽=0	GENERAL TOLERANCES (UNLESS SPECIFIED)		DIMENSION STYLE MM/IN		SCALE	DESIGN UNITS METRIC	THIRD ANGLE PROJECTION		
		4 PLACES	± ---	± ---	DRAWN BY LYNN	DATE 2000/02/10	TITLE MCX JACK R/A PCB 50 OHM MCX-J/RA/PCB			
		3 PLACES	± ---	± ---	CHECKED BY PENNY	DATE 2000/02/10	APPROVED BY MISEN			
		2 PLACES	± ---	± ---	APPROVED BY MISEN		DATE 2000/02/10	MATERIAL NO. SEE SHEET 1		DOCUMENT NO. SD-73366-003
1 PLACE	± ---	± ---	ANGULAR ± 2 °		DRAFT WHERE APPLICABLE MUST REMAIN WITHIN DIMENSIONS		THIS DRAWING CONTAINS INFORMATION THAT IS PROPRIETARY TO MOLEX INCORPORATED AND SHOULD NOT BE USED WITHOUT WRITTEN PERMISSION			