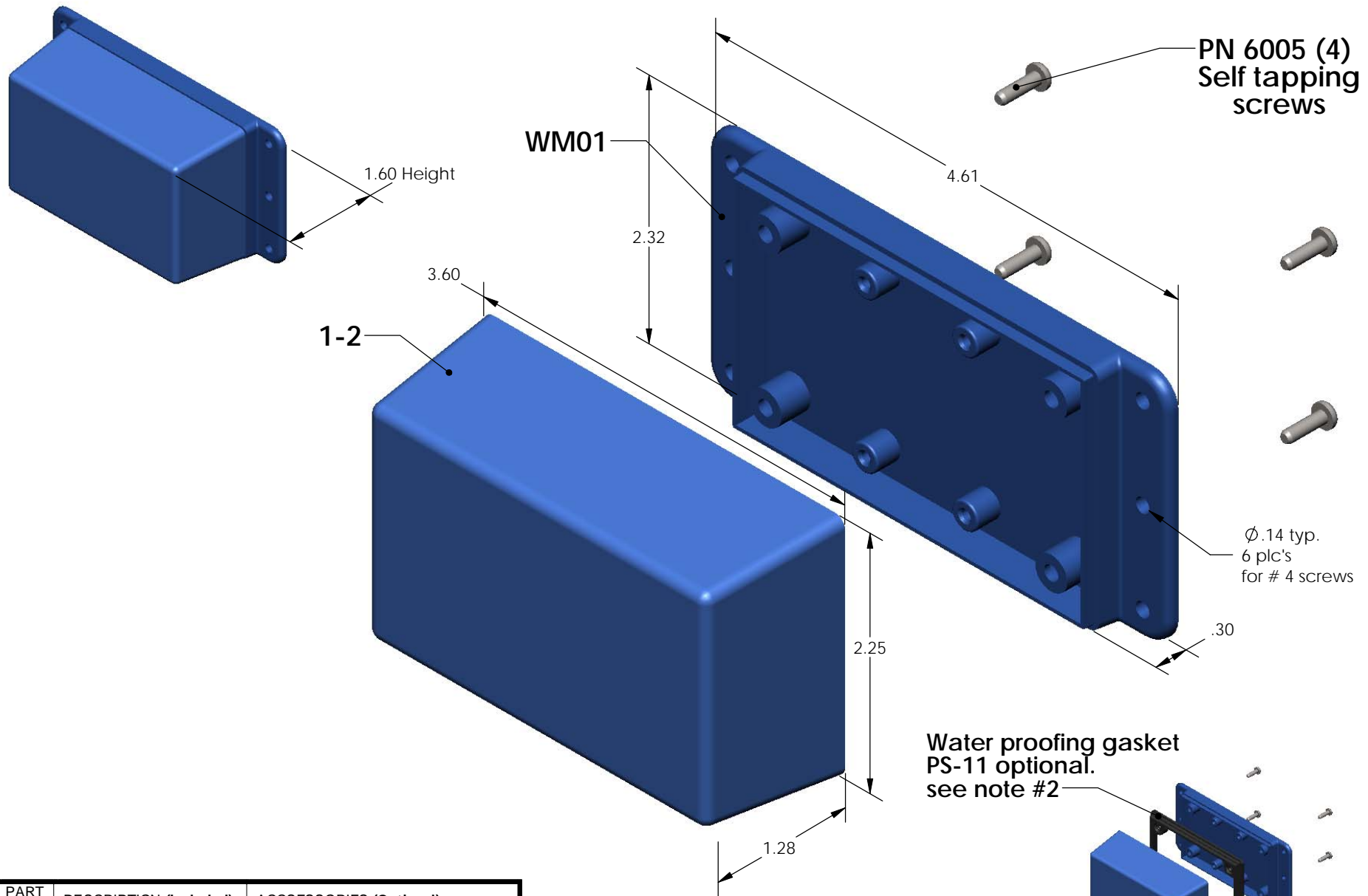


# SERPAC WM012 (exploded isometric)

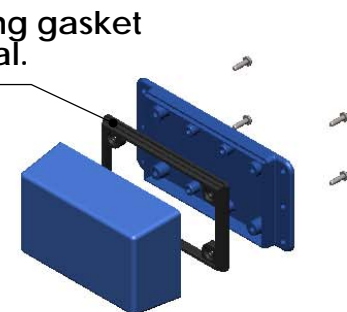
Electronic Enclosures



PART NO.	DESCRIPTION (Included)	ACCESSORIES (Optional)	
1-2	TOP	PART NO.	DESCRIPTION
WM01	BOTTOM	50	Non-skid Feet
6005	#4 self tapping screw (4)	PS-11	Perimeter Seal
		310	Prototype grid board (Horiz)
		410	Prototype clad board (Horiz)

**Notes:**

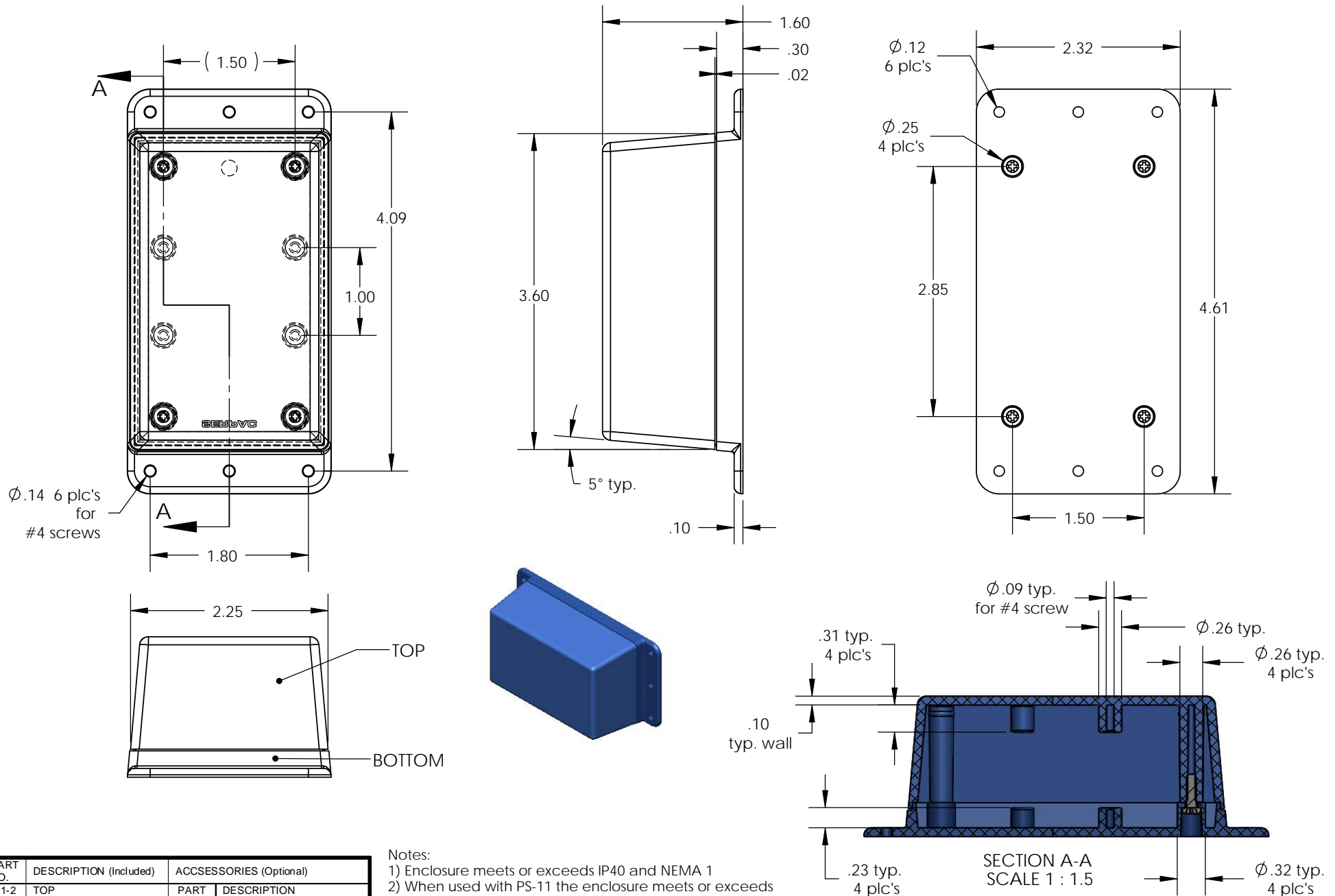
- 1) Enclosure meets or exceeds IP40 and NEMA 1
- 2) When used with PS-11 the enclosure meets or exceeds IP 67 and NEMA 4X, 12 and 13 MIL-STD-810G 506.5
- 3) Circuit Board drawings can be download at:  
<http://www.serpac.com/Accessories/CircuitBoard/drawings/310-410.pdf>
- 4) All components are RoHS Compliant.



**ALL DIMENSIONS ARE ± .010" 5/7/09 (1 of 2)**  
**619 Commercial Ave. Covina, CA 91723**  
 Ph. (626) 331-0517 Fx. (626) 331-8584 [serpac.com](http://serpac.com)

# SERPAC WM012 (user print)

Electronic Enclosures



PART NO.	DESCRIPTION (Included)	ACCESSORIES (Optional)	
1-2	TOP	PART NO.	DESCRIPTION
WM01	BOTTOM	50	Non-skid Feet
6005	#4 self tapping screw (4)	PS-11	Perimeter Seal
		310	Prototype grid board (Horiz)
		410	Prototype clad board (Horiz)

- Notes:
- 1) Enclosure meets or exceeds IP40 and NEMA 1
  - 2) When used with PS-11 the enclosure meets or exceeds IP 67 and NEMA 4X, 12 and 13 MIL-STD-810G 506.5
  - 3) Circuit Board drawings can be download at: <http://www.serpac.com/Accessories/CircuitBoard/drawings/310-410.pdf>
  - 4) All components are RoHS Compliant.

ALL DIMENSIONS ARE ±.010" 5/7/09 (2 of 2)  
 619 Commercial Ave. Covina, CA 91723  
 Ph. (626) 331-0517 Fx. (626) 331-8584 www.serpac.com