

# SMD CERAMIC WIRE-WOUND CHIP INDUCTORS

AISC-0402-xxx

RoHS  
Compliant



1.19 x 0.51 x 0.66 mm

## FEATURES:

- Exceptional high Q and SRF for high frequency applications
- Excellent DCR and current carrying characteristics
- Small size suitable for surface mounting
- Epoxy coating protects wound wire

## APPLICATIONS:

- Widely applied in mobile phones such as GSM, CDMA, PDC, etc.
- Bluetooth, W-LAN, Broadband Network
- High Frequency Communication Circuits
- Video cameras, liquid crystal television, and other electronic devices

## ELECTRICAL SPECIFICATIONS:

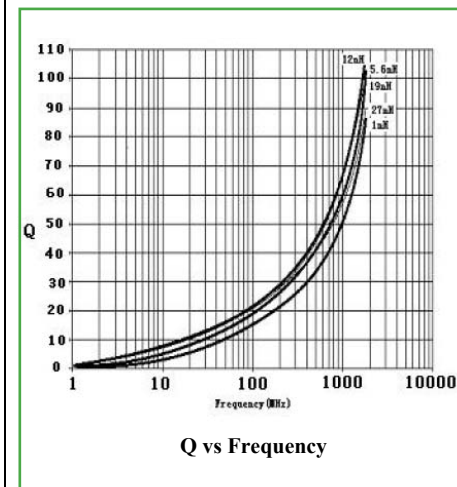
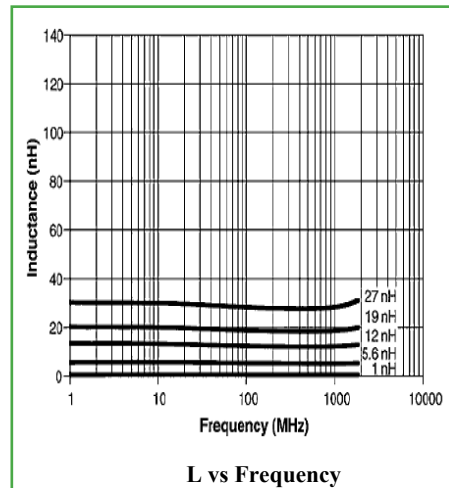
Part Number AISC-0402-	L (nH)	L. Test Freq (MHz)	Tolerance	Q Min	Q Test Freq (MHz)	SRF Min (MHz)	R <sub>DC</sub> Max	I <sub>DC</sub> Max (mA)
1N0	1.0	250	J,K	13	250	12700	0.045	1360
1N2	1.2	250	J,K	13	250	12000	0.060	1300
1N8	1.8	250	J,K	16	250	11500	0.070	1040
1N9	1.9	250	J,K	16	250	11300	0.070	1040
2N0	2.0	250	J,K	16	250	11100	0.070	1040
2N2	2.2	250	J,K	18	250	10800	0.070	960
2N4	2.4	250	J,K	18	250	10500	0.068	960
2N7	2.7	250	J,K	18	250	10400	0.120	640
3N3	3.3	250	G, J, K	20	250	7000	0.066	840
3N6	3.6	250	G, J, K	20	250	6800	0.066	840
3N9	3.9	250	G, J, K	20	250	6000	0.066	840
4N3	4.3	250	G, J, K	20	250	6000	0.091	700
4N7	4.7	250	G, J, K	20	250	4775	0.130	700
5N1	5.1	250	G, J, K	23	250	5800	0.083	800
5N6	5.6	250	G, J, K	23	250	5800	0.083	760
6N2	6.2	250	G, J, K	23	250	5800	0.083	760
6N8	6.8	250	G, J, K	20	250	5800	0.083	680
7N5	7.5	250	G, J, K	25	250	5800	0.100	680
8N2	8.2	250	G, J, K	25	250	4400	0.100	680
8N7	8.7	250	G, J, K	25	250	4200	0.100	680
9N0	9.0	250	G, J, K	25	250	4160	0.100	680
9N5	9.5	250	G, J, K	21	250	4000	0.162	600
10N	10	250	G, J, K	21	250	3900	0.200	480
11N	11	250	G, J, K	26	250	3680	0.120	640
12N	12	250	G, J, K	26	250	3600	0.120	640
13N	13	250	G, J, K	26	250	3450	0.185	600
15N	15	250	G, J, K	26	250	3280	0.170	560
16N	16	250	G, J, K	26	250	3100	0.220	560
18N	18	250	G, J, K	26	250	3100	0.230	480
19N	19	250	G, J, K	26	250	3040	0.200	480
20N	20	250	G, J, K	26	250	3000	0.250	420
22N	22	250	G, J, K	26	250	2800	0.250	400
23N	23	250	G, J, K	26	250	2720	0.250	400
24N	24	250	G, J, K	26	250	2700	0.300	400
27N	27	250	G, J, K	26	250	2480	0.300	400
30N	30	250	G, J, K	25	250	2350	0.350	400
33N	33	250	G, J, K	25	250	2350	0.350	400
36N	36	250	G, J, K	26	250	2320	0.400	320
39N	39	250	G, J, K	25	250	2100	0.500	200
40N	40	250	G, J, K	26	250	2240	0.550	200
43N	43	250	G, J, K	25	250	2030	0.700	150
47N	47	250	G, J, K	20	250	2100	0.750	150
51N	51	250	G, J, K	25	250	1750	0.820	100
56N	56	250	G, J, K	25	250	1760	0.970	100
62N	62	250	G, J, K	25	250	1700	0.970	100
68N	68	250	G, J, K	25	250	1620	0.970	100
82N	82	250	G, J, K	25	250	1620	1.250	100
R10	100	250	G, J, K	25	250	1620	2.000	100
R12	120	250	G, J, K	25	250	1520	2.700	90
R15	150	250	G, J, K	25	250	1200	2.900	80

## PARAMETERS

ABRACON P/N: AISC-0402-xxx Series

Operating temperature: -40°C to +125°C

Storage temperature: -10°C to +40°C, 70% RH max.



ABRACON IS  
ISO9001:2008  
CERTIFIED



Visit [www.abracon.com](http://www.abracon.com) for Terms & Conditions of Sale

30332 Esperanza, Rancho Santa Margarita, California 92688  
tel 949-546-8000 | fax 949-546-8001 | [www.abracon.com](http://www.abracon.com)

Revised: 07.19.12

# SMD CERAMIC WIRE-WOUND CHIP INDUCTORS



1.19 x 0.51 x 0.66 mm

AISC-0402-xxx

## OPTIONS & PART IDENTIFICATION:

AISC-0402 -  -  -

### Inductance Code

Please refer to the tables on page 3 and 4

### Tolerance Code

G: ±2 %

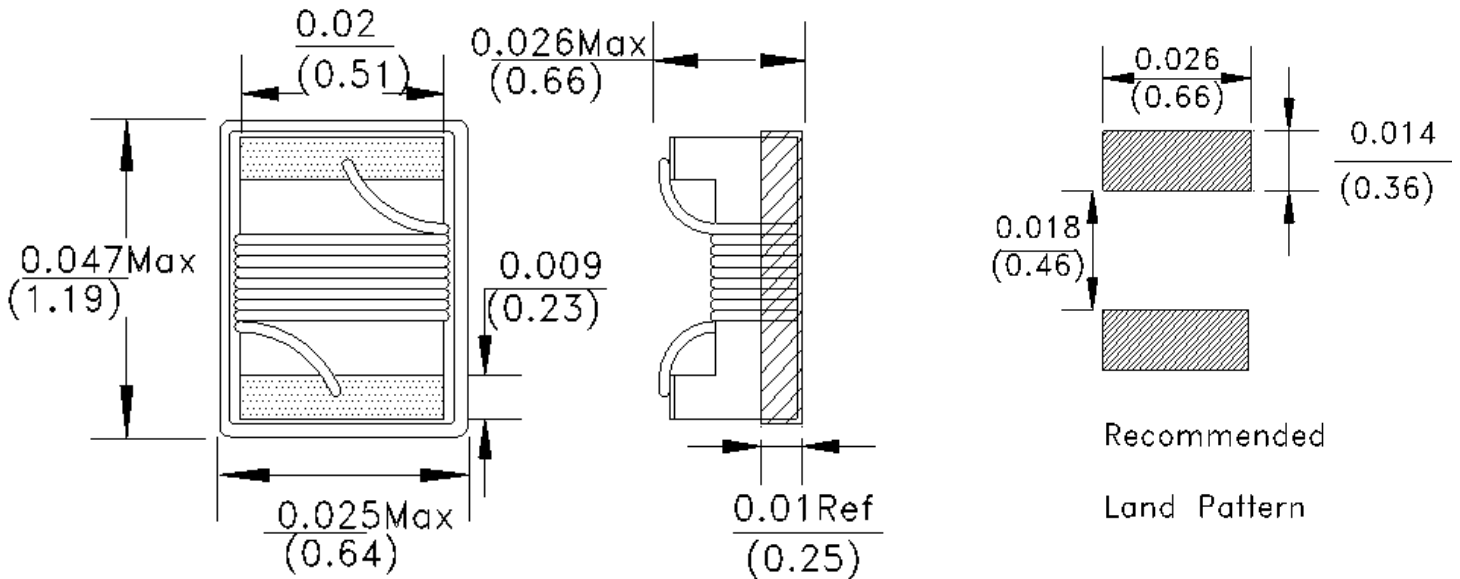
J: ±5%

K: ±10%

T: Tape & Reel  
(10k pcs/Reel)

T: Tape and Reel

## OUTLINE DRAWING:



Dimensions: Inch (mm)

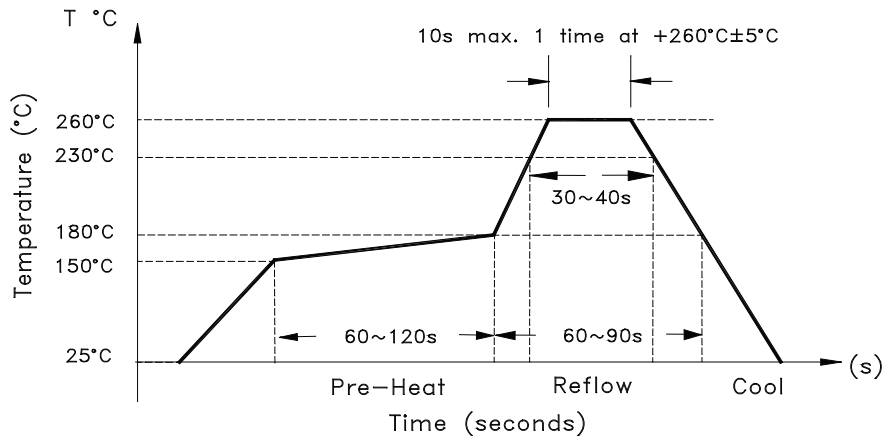
# SMD CERAMIC WIRE-WOUND CHIP INDUCTORS

AISC-0402-xxx

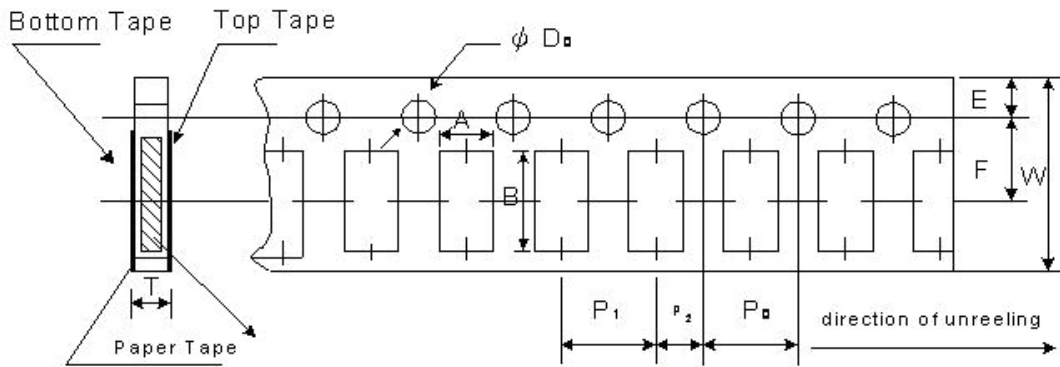


1.19 x 0.51 x 0.66 mm

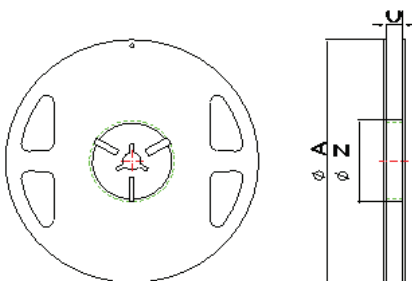
## REFLOW PROFILE



## TAPE & REEL (10,000pcs/reel):



Codes	A	B	W	E	F
AISC-0402	0.80±0.05	1.4±0.05	8.00±0.10	1.75±0.05	3.5±0.05
Codes	P0	P1	P2	ΦD0	T
AISC-0402	4.00±0.10	4.00±0.05	2.00±0.05	1.55±0.05	0.75±0.03



Series	A	C	Z
AISC-0402	178±2.0	8.4+1.5	60±1.0

Dimensions: mm

**ATTENTION:** Abracon Corporation's products are COTS – Commercial-Off-The-Shelf products; suitable for Commercial, Industrial and, where designated, Automotive Applications. Abracon's products are not specifically designed for Military, Aviation, Aerospace, Life-dependant Medical applications or any application requiring high reliability where component failure could result in loss of life and/or property. For applications requiring high reliability and/or presenting an extreme operating environment, written consent and authorization from Abracon Corporation is required. Please contact Abracon Corporation for more information.

ABRACON IS  
ISO9001:2008  
CERTIFIED



Visit [www.abracon.com](http://www.abracon.com) for Terms & Conditions of Sale  
30332 Esperanza, Rancho Santa Margarita, California 92688  
tel 949-546-8000 | fax 949-546-8001 | [www.abracon.com](http://www.abracon.com)

Revised: 07.19.12