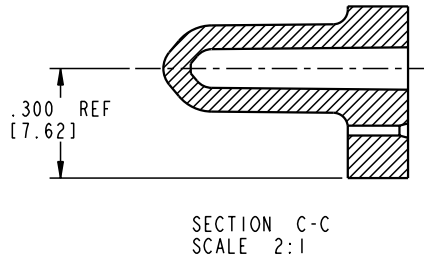
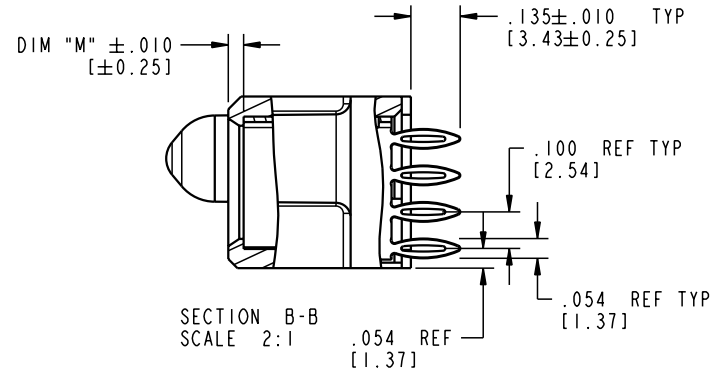
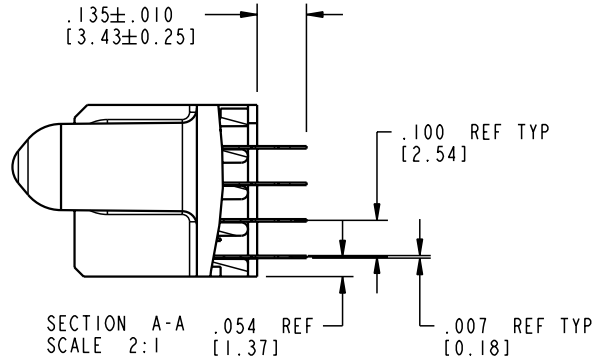


Tous droits strictement reserves. Reproduction ou communication a des tiers interdite sous quelque forme que ce soit sans autorisation écrite du propriétaire. Propriete de c FCI. Droits de reproduction FCI.

All rights strictly reserved. Reproduction or issue to third parties in any form whatever is not permitted without written authority from the proprietor. Property of FCI. Copyright FCI.

PRODUCT NUMBER
51750-042



mat'l code		SEE NOTE 2		tolerances unless otherwise specified		CUSTOMER		 www.fciconnect.com	
lfr	ecn no.	dr	date	linear	XX ± .01 / 0.X ± 0.3	COPY		title	
B					.XXX ± .005 / 0.XX ± 0.13	projection		2P + 64S + 2P	
				angles	.XXX ± .0020 / 0.XXX ± 0.051			VERTICAL PRESS-FIT RECEPT	
				dr	T. BRUNGARD 01/23/03	INCH/MM		product family	
				engr	M. MOSTOLLER 01/23/03	scale		PwrBlade	
				chr	M. MOSTOLLER 01/23/03	1:1		size	
				appd	M. MOSTOLLER 01/23/03			dwg no	
sheet index	revision sheet							A 51750-042	
								code	
								213	
								sheet	
								2 of 4	

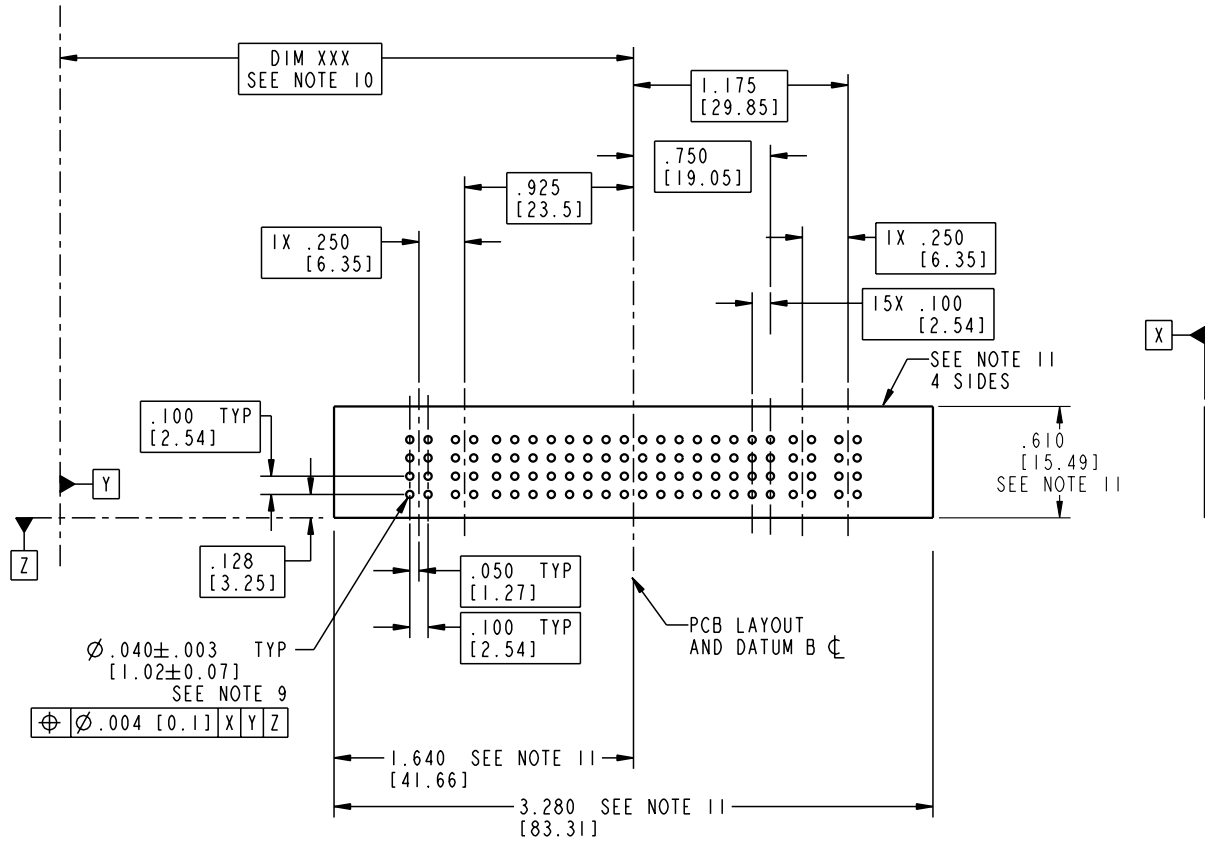
cage code **22526**

Pro/E

Tous droits strictement reserves. Reproduction ou communication a des tiers interdite sous quelque forme que ce soit sans autorisation écrite du propriétaire. Propriete de c FCI. Droits de reproduction FCI.

All rights strictly reserved. Reproduction or issue to third parties in any form whatsoever is not permitted without written authority from the proprietor. Property of FCI. Copyright FCI.

PRODUCT NUMBER
51750-042



mat'l code		SEE NOTE 2		tolerances unless otherwise specified		CUSTOMER		 www.fciconnect.com	
lfr	ecn no.	dr	date	linear	$XX \pm .01 / 0.X \pm 0.3$ $.XXX \pm .005 / 0.XX \pm 0.13$ $XXXX \pm .0020 / 0.XXX \pm 0.051$	COPY	projection	title	
B				angles	$0^\circ \pm 2^\circ$			2P + 64S + 2P VERTICAL PRESS-FIT RECEPT	
				dr	T. BRUNGARD 01/23/03			product family	PwrBlade
				enr	M. MOSTOLLER 01/23/03		scale	size	code
				chr	M. MOSTOLLER 01/23/03		1:1	dwg no	213
				appd	M. MOSTOLLER 01/23/03			51750-042	sheet
sheet index	revision sheet								3 of 4

code code 22526

Pro/E

Tous droits strictement reserves. Reproduction ou communication a des tiers interdite sous quelque forme que ce soit sans autorisation écrite du propriétaire. Propriete de c FCI. Droits de reproduction FCI.

A
FCI

All rights strictly reserved. Reproduction or issue to third parties in any form whatever is not permitted without written authority from the proprietor. Property of FCI. Copyright FCI.

A

B

1 | 2

3 |

4

PRODUCT NUMBER

51750-042

NOTES:

1. DIMENSIONS AND TOLERANCES ARE IN ACCORDANCE WITH ASME Y14.5M, 1994 UNLESS OTHERWISE SPECIFIED.

CONNECTOR NOTES:

- ② HOUSING MATERIAL: UL 94 V-0 GLASS FILLED HIGH-TEMP THERMOPLASTIC
POWER CONTACT MATERIAL: COPPER ALLOY
SIGNAL PIN MATERIAL: COPPER ALLOY
- 3. PLATING:
SIGNAL PINS: 30u"/0.76um Au OVER 50u"/1.27um Ni
POWER CONTACTS: 50u"/1.27um Ni UNDER ALL WITH 30u"/0.76um Au ON CONTACT AREA AND SnPb ON PCB INTERFACE
- ④ MANUFACTURER'S NAME, P/N, AND DATE CODE TO APPEAR ON THIS SURFACE.
- 5. PRODUCT SPECIFICATION GS-12-149.
APPLICATION SPECIFICATION BUS-20-067.
- 6. PACKAGED IN TRAYS.
- PCB NOTES:
- 7. ALL HOLE DIAMETERS ARE FINISHED HOLE SIZE.
- ⑧ MOUNTING HOLES, WHERE APPLICABLE, ARE UNPLATED.
- ⑨ $\varnothing .0453 \pm .0010$ [1.151 ± 0.025] DRILLED HOLES PLATED WITH .0003 [0.008] MIN SnPb OVER .001 [0.03] TO .003 [0.08] Cu PLATING TO ACHIEVE $\varnothing .040 \pm .003$ [1.02 ± .07] HOLE.
- ⑩ "DIM XXX" TO BE DETERMINED BY THE CUSTOMER.
- ⑪ CONNECTOR KEEP-OUT ZONE.

A

B

mat'l code		SEE NOTE 2		tolerances unless otherwise specified		CUSTOMER		A FCI www.fciconnect.com	
lfr	ecn no.	dr	date	linear	$.XX \pm .01 / 0.X \pm 0.3$	COPY		title	
B				linear	$.XXX \pm .005 / 0.XX \pm 0.13$	projection		2P + 64S + 2P	
				angles	$.XXX \pm .0020 / 0.XXX \pm 0.051$			VERTICAL PRESS-FIT RECEIPT	
				dr	T. BRUNGARD 01/23/03	INCH/MM		product family	
				enr	M. MOSTOLLER 01/23/03	scale		PwrBlade	
				chr	M. MOSTOLLER 01/23/03	1:1		size	
				appd	M. MOSTOLLER 01/23/03			dwg no	
sheet index		revision sheet						A	
								51750-042	
								code	
								213	
								4 of 4	

1 | 2

Pro/E

3 |

cage code 22526

4