

IEC Appliance Inlet C8, Snap-in Mounting, Front Side, Solder or Quick-connect Terminal



C8

 70 °C

**Description**

- Panel Mount:
Snap-in version, Frontside
- Appliance Inlet, Pin temperature 70 °C, Protection class II
- Solder terminals or quick connect terminals

Approvals

- VDE Certificate Number: 40002274
- UL File Number: E96454

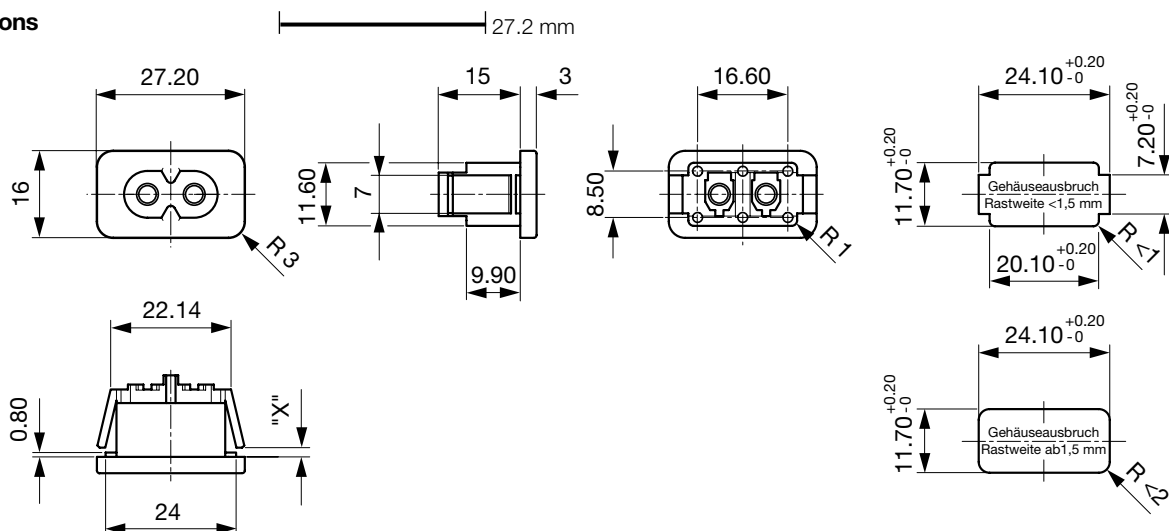
Technical Data

Ratings IEC	2.5 A / 250 VAC; 50 Hz
Ratings UL/CSA	7 A / 250 VAC; 60 Hz
Dielectric Strength	> 3 kVAC between L-N > 1.5 kVAC between L/N-PE (1 min/50 Hz)
Allowable Operation Temp.	-25 °C to 70 °C
Degree of Protection	from front side IP 20 acc. to IEC 60529
Protection Class	Suitable for appliances with protection class 2 acc. to IEC 61140
Panel Thickness s	Snap-in version 1.5/2/2.5/3 mm
Material: Housing	PA6, black / grey / white, UL 94V-0

References**Weblinks**

[pdf](#), [html](#), [General Product Information](#), [Approvals](#), [RoHS](#), [CHINA-RoHS](#), [Mating Connectors](#), [e-shop](#), [SCHURTER-Stock-Check](#), [Distributor-Stock-Check](#), [Accessories](#)

Appliance Inlet	C8 acc. to IEC/EN 60320-1 UL 498, CSA C22.2 no. 42 (for cold conditions) pin-temperature 70 °C, 2.5 A, Protection Class 2
-----------------	--

Dimensions

Length of the terminal please find at the order code configuration table
 Dimension "X" please ref. to table order code

Config. Code

2578 - H - A B C 0 - D - E G F

The characters are placeholders for the correspondingly keys of selections from the key tables.

2578 - **H** - A B C 0 - D - E G F = Type

Type	Configuration key
protection class 2	B

2578 - H - **A** B C 0 - D - E G F = Terminals

Terminal L	Configuration key
short solder terminal (L = 4.8 mm)	2
long solder terminal (L = 8.5 mm)	3
Blade terminal (2.8 x 0.8 mm)	7
Blade terminal (4.8 x 0.8 mm)	8
Blade terminal (6.3 x 0.8 mm)	9



2578 - H - A **B** C 0 - D - E G F = Terminals

Terminal N	Configuration key
short solder terminal (L = 4.8 mm)	2
long solder terminal (L = 8.5 mm)	3
Blade terminal (2.8 x 0.8 mm)	7
Blade terminal (4.8 x 0.8 mm)	8
Blade terminal (6.3 x 0.8 mm)	9

Symbols similar as in table A

2578 - H - A B **C** 0 - D - E G F = Terminals

Terminal Ground	Configuration key
without terminal	0

Symbols similar as in table A

2578 - H - A B C 0 - **D** - E G F = Color

Color	Configuration key
jet black: RAL9005	A
silver grey: RAL7001	B
pure white: RAL9010	D

2578 - H - A B C 0 - D - **E** G F = Style

Style	Configuration key
snap-in (x=panel thickness)	4

2578 - H - A B C 0 - D - E **G** F = Dimension X

Dimension "X"	Configuration key
15	
20	
25	
30	

The dimension "X" is displayed in (1/10 mm). This information is also valid for the order code

2578 - H - A B C 0 - D - E G **F** = Orientation of Terminals

Orientation of Terminals	Configuration key
horizontal	A
vertical	B

Variants

Config. Code	Description	Order Number
2578-X-7700-A-425B	2578, IEC Appliance Inlet C8, 70°C, , version: 2, L: Blade terminal (2.8 x 0.8 mm), N: Blade terminal (2.8 x 0.8 mm), ground: without terminal, color: jet black; RAL9005, design: snap-in (x=panel thickness), dimension X:	6160.0027
2578-X-2200-A-415B	2578, IEC Appliance Inlet C8, 70°C, , version: 2, L: short solder terminal (L = 4.8 mm), N: short solder terminal (L = 4.8 mm), ground: without terminal, color: jet black; RAL9005, design: snap-in (x=panel thickness), dimension X:	6160.0029
2578-X-3300-A-420B	2578, IEC Appliance Inlet C8, 70°C, , version: 2, L: long solder terminal (L = 8.5 mm), N: long solder terminal (L = 8.5 mm), ground: without terminal, color: jet black; RAL9005, design: snap-in (x=panel thickness), dimension X:	6160.0031
2578-X-9900-A-415B	2578, IEC Appliance Inlet C8, 70°C, , version: 2, L: Blade terminal (6.3 x 0.8 mm), N: Blade terminal (6.3 x 0.8 mm), ground: without terminal, color: jet black; RAL9005, design: snap-in (x=panel thickness), dimension X:	6160.0032
2578-X-2200-A-425B	2578, IEC Appliance Inlet C8, 70°C, , version: 2, L: short solder terminal (L = 4.8 mm), N: short solder terminal (L = 4.8 mm), ground: without terminal, color: jet black; RAL9005, design: snap-in (x=panel thickness), dimension X:	6160.0036
2578-X-7700-A-415B	2578, IEC Appliance Inlet C8, 70°C, , version: 2, L: Blade terminal (2.8 x 0.8 mm), N: Blade terminal (2.8 x 0.8 mm), ground: without terminal, color: jet black; RAL9005, design: snap-in (x=panel thickness), dimension X:	6163.0016
2578-X-2200-B-425B	2578, IEC Appliance Inlet C8, 70°C, , version: 2, L: short solder terminal (L = 4.8 mm), N: short solder terminal (L = 4.8 mm), ground: without terminal, color: silver grey; RAL7001, design: snap-in (x=panel thickness), dimension X:	6163.0017

The listed variants should be available from stock Other versions on request www.schurter.com/contact

Packaging unit 100 Pcs

Mating Outlets/Connectors

Category / Description

[Power Cord Overview complete](#)



Power Cord with IEC Connector C7, Straight 70°C	2510
Power Cord with IEC Connector C7, Angled	2511
Power Cord with IEC Plug C7, Angled	2514
Power Cord with IEC Connector C7, Straight 70°C	4810

[Power Cord further types to 2578](#)