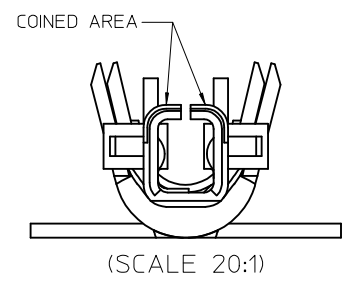
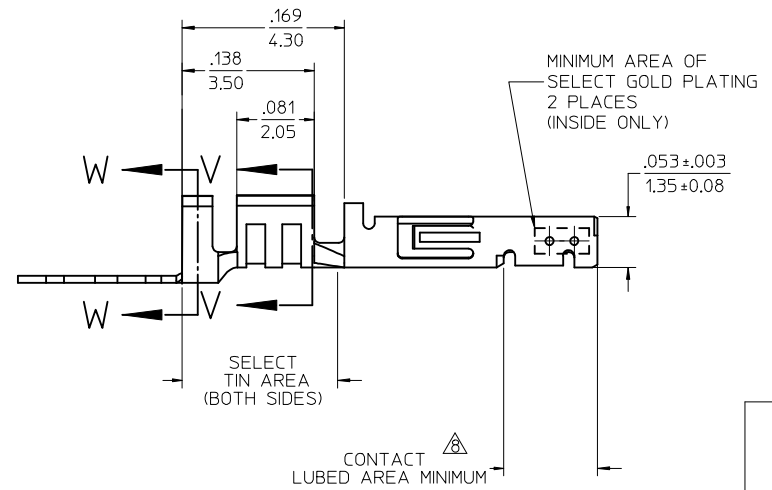
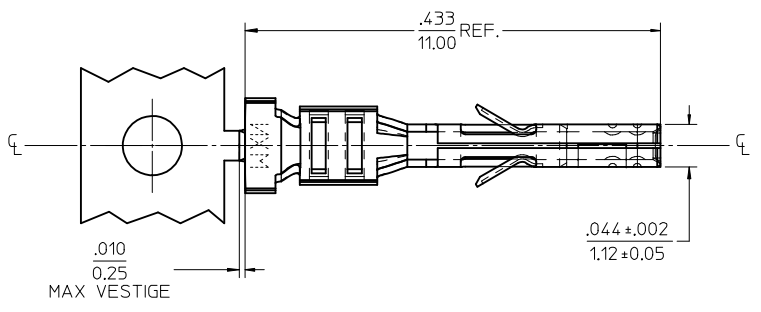
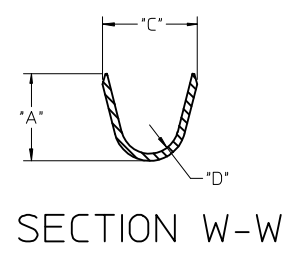
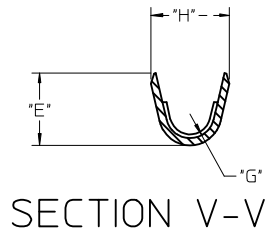


13	12	11	10	9	8	7	6	5	4	3	2	1
WIRE SIZE	MAX INSULATION	"A" ±.012 ±0.30	"C" ±.012 ±0.30	"D" ±.005 ±0.13	"E" ±.012 ±0.30	"G" ±.005 ±0.13	"H" ±.012 ±0.30					
20-24	.073/1.85	.090/2.29	.100/2.54	.030/0.76	.075/1.91	.025/0.64	.082/2.08					
26-30	.050/1.27	.075/1.91	.083/2.10	.025/0.64	.058/1.47	.020/0.51	0.65/1.65					

MATERIAL NUMBER	PLATING	WIRE SIZE	FORM
45773-0053	A	20-24	CHAIN



NOTES

- 1) MATERIAL: PHOSPHOR BRONZE ALLOY
- 2) TERMINAL PLATING:
 "A" - .000030/0.00076 MIN. SELECT GOLD
 .000100/0.00254 MIN. SELECT TIN
 ALL OVER .000050/0.00127 MIN. NICKEL OVERALL.
 MATERIAL NUMBERS WITH SELECT PLATING ARE POST-PLATED.
- 3) PRODUCT SPECIFICATION: PS-43045, PS-43650, PS-44300-001.
- 4) PACKAGING SPECIFICATION: PK-45773-002
- 5) TERMINAL FOR USE IN MICRO FIT RECEPTACLE SERIES
 DESIGNED FOR USING THE 43030-**** FEMALE CRIMP TERMINAL.
- 6) FOR TERMINAL ORIENTATION IN RECEPTACLE SEE DRAWING SDA-43025-****
 OR SDA-43645-****.
- 7) THIS TERMINAL IS DESIGNED IN METRIC.
- 8) MOLEX PROPRIETARY CONTACT LUBRICATION EB-1 IS
 APPLIED IN THE CONTACT AREA BY THE FACTORY.
- 9) MOLEX RECOMMENDS THE USE OF MICRO-FIT TEST PLUG (SERIES 44242)
 WHENEVER CONTINUITY TESTING IS PERFORMED. TEST PLUGS MUST NOT
 BE USED TO MAKE OR BREAK UNDER LOAD. MOLEX DOES NOT RECOMMEND
 USING STANDARD MATING COMPONENTS (SERIES 43020, 43045, 43640, 43650,
 OR 43031) FOR HARNESS TESTING PURPOSES.

ADD MXN EC NO: UCP2015-1397 DRWN: DFOX CHKD: SSOUSEK APPR: FSMITH	DESCRIPTION 2014/10/02 2014/10/02 2015/07/01	QUALITY SYMBOLS ▽=0 ▽=0 ▽=0	GENERAL TOLERANCES (UNLESS SPECIFIED)		DIMENSION STYLE IN/MM		SCALE 10:1	DESIGN UNITS METRIC	THIRD ANGLE PROJECTION	
			mm	INCH	DRAWN BY PRIDDER	DATE 2006/02/20	TITLE MICRO-FIT (3.0) FEMALE CRIMP TERMINAL W/ LUBRICANT, LEAD FREE	DOCUMENT NO. SD-45773-002		SHEET NO. 1 OF 1
B1	REV		ANGULAR ±1/2°		SEE CHART		THIS DRAWING CONTAINS INFORMATION THAT IS PROPRIETARY TO MOLEX. INCORPORATED AND SHOULD NOT BE USED WITHOUT WRITTEN PERMISSION			
			DRAFT WHERE APPLICABLE MUST REMAIN WITHIN DIMENSIONS		SIZE C					