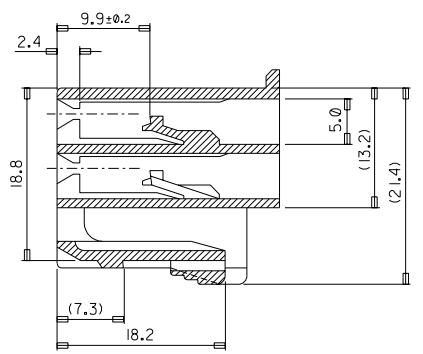
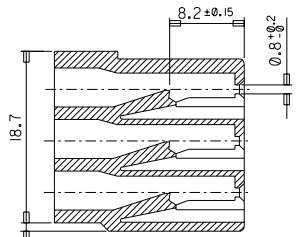


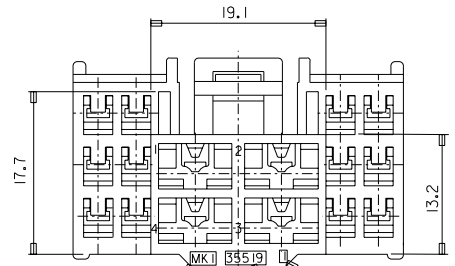
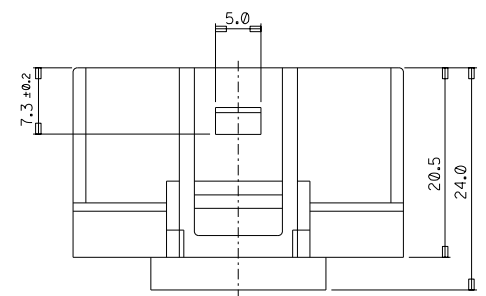
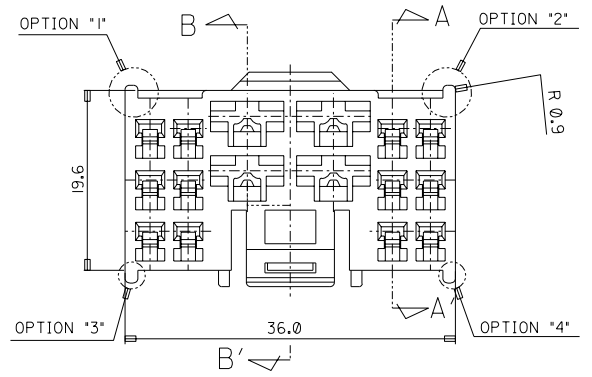
DWG. NO. SD 35519-160*
 PROJECT NO. KOR 96-038
 SIMILAR ITEM
 DO NOT SCALE DRAWING DIMENSION IN METRIC



SECTION B-B'

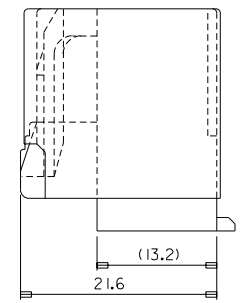


SECTION A-A'



*TABLE 1

PART NO.	COLOR	REMARKS
E 35519-1600	NATERAL	WITH OPTION "2"
E 35519-1601	BLACK	WITH OPTION "1"
E 35519-1603	YELLOW	WITH OPTION "4"
E 35519-1605	GRAY	WITH OPTION "3"



- NOTE
- MATERIAL : POLYESTER (P.B.T)
 - COLOR : SEE TABLE 1.
 - APPLICABLE TERMINAL : 35407-6*02/
35427-9***
 - APPLICABLE HOUSING : 35522-240*/35523-160*.
 - PRODUCT SPECIFICATION : PS-35519-0001.

REVISED EC NO. KOR 1998-0116 DRAWN: C.Y. CHO CHK: B.K. CHOI APPR: C.W. LEE	DESCRIPTION MAJOR CRITICAL C	QUALITY SYMBOLS	GENERAL TOLERANCES: (UNLESS SPECIFIED) <table border="1"> <tr> <td></td> <td>mm</td> <td>INCH</td> </tr> <tr> <td>4 PLACES</td> <td>±0.</td> <td>±.</td> </tr> <tr> <td>3 PLACES</td> <td>±0.</td> <td>±.</td> </tr> <tr> <td>2 PLACES</td> <td>±0.20</td> <td>±.</td> </tr> <tr> <td>1 PLACE</td> <td>±0.30</td> <td>±.</td> </tr> </table>		mm	INCH	4 PLACES	±0.	±.	3 PLACES	±0.	±.	2 PLACES	±0.20	±.	1 PLACE	±0.30	±.	SCALE <input checked="" type="checkbox"/> mm <input type="checkbox"/> INCH	DESIGN UNITS <input checked="" type="checkbox"/> mm <input type="checkbox"/> INCH	THIRD ANGLE PROJECTION <input checked="" type="checkbox"/> THIRD ANGLE	DIMENSIONS: <input type="checkbox"/> mm <input type="checkbox"/> INCH <input checked="" type="checkbox"/> mm ONLY	SHT REV
					mm	INCH																	
4 PLACES	±0.	±.																					
3 PLACES	±0.	±.																					
2 PLACES	±0.20	±.																					
1 PLACE	±0.30	±.																					
DRAWN BY & DATE C.Y. CHO 1998.05.15	TITLE: 090/250 HYBRID FEMALE HOUSING (16P)		CHECKED BY & DATE B.K. CHOI 1998.05.15		APPROVED BY & DATE C.W. LEE 1998.05.15		MOLEX INCORPORATED KOREA																
B	REV		ANGULAR: ± 1 °	CAD FILENAME SD35519.DGN	MATERIAL NO. SD 35519-160*	DRAWING NO. SD 35519-160*	SHEET NO. 1/1																
DRAFT WHERE APPLICABLE MUST REMAIN WITHIN DIMENSIONS			THIS DRAWING CONTAINS INFORMATION THAT IS PROPRIETARY TO MOLEX INCORPORATED AND SHOULD NOT BE USED WITHOUT WRITTEN PERMISSION.				SIZE B																