

[J-Link Debug Probes](#) [Adapters](#) [Target Supply Adapter](#)

J-Link Target Supply Adapter

The J-Link Target Supply Adapter provides an adjustable supply voltage to the target board. It has a standard 20-pin 0.1" socket towards the [J-Link debug probe](#) and a standard 20-pin 0.1" header on the target side and can directly be inserted between the J-Link and the debug cable maintaining a 1:1 connection of all debug signals. The supply voltage to the target is provided through pin 19 of the debug cable.

The supply voltage is fixed to 3.3V and can be adjusted in the range 3.6V down to 0.8V by means of changing a single resistor on the adapter (soldering required, resistor package SMD 0805). Since the J-Link Target Supply Adapter is fed by the J-Link its current capability is limited to 400mA. Furthermore the current capability depends on the chosen target voltage. Example target voltage/output current combinations:

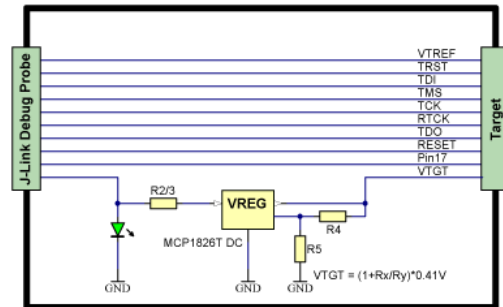
- 3,6V/400mA*
- 3,3V/400mA*(default)
- 2,5V/300mA**
- 1,8V/200mA**
- 1,0V/150mA**

Notes:

* To operate the J-Link Target Supply Adapter with the battery powered Flasher Portable adjustment of an additional resistor (SMD 1206) might be required. See [block diagram](#) for details.

** Exceeding these current values will damage the adapter. To increase maximum output current see [block diagram](#).

The J-Link Supply Adapter is compatible with [J-Link BASE](#) [J-Link PRO](#), [J-Link ULTRA+](#), [J-Link PLUS](#) , [Flasher Portable](#) and [Flasher ARM](#).



| VTGT | R4 | R5 | Ioutmax* | Note |
|-------|-------|------|----------|--------|
| 3.6 V | 380 k | 47 k | ~400 mA | (1, 2) |
| 3.3 V | 330 k | 47 k | ~400 mA | (1, 2) |
| 2.5 V | 240 k | 47 k | ~300 mA | (3) |
| 1.8 V | 160 k | 47 k | ~200 mA | (3) |
| 1.0 V | 68 k | 47 k | ~150 mA | (3) |

* Ioutmax: Max. allowed permanent output current; exceeding these values will damage the adapter
 (1) Limited by J-Link to 400mA
 (2) R2/R3 (3.9 R || 3.9 R, 250 mW each) might be decreased in case of a reduced supply voltage as in the battery powered Flasher Portable.
 (3) Depends on USB voltage, ambient temperature and airflow; R2/R3 might be increased to take off dissipation power from VREG.

Block diagram of the J-Link Target Supply Adapter