

4 mm Square SMD Light Touch Switches

Type: **EVQP6/EVQ6P6/EVQ7P6/EVQ9P6**



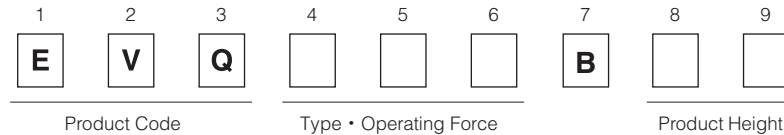
■ Features

- External dimensions : 4.1 mm×4.1 mm
Height :Without Push Plate 0.35 mm, With Push Plate 0.58 mm
:Without Push Plate-With Ground Terminal 0.43 mm
- Long-life :1,000,000 cycles min.
(Operating Force 1.0N, 1.6 N Type)
- Dust-proof structure

■ Recommended Applications

- Operating switches for portable electronic equipment
(Mobile phones, Camcorders, Portable audio players, etc.).

■ Explanation of Part Numbers



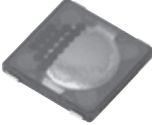
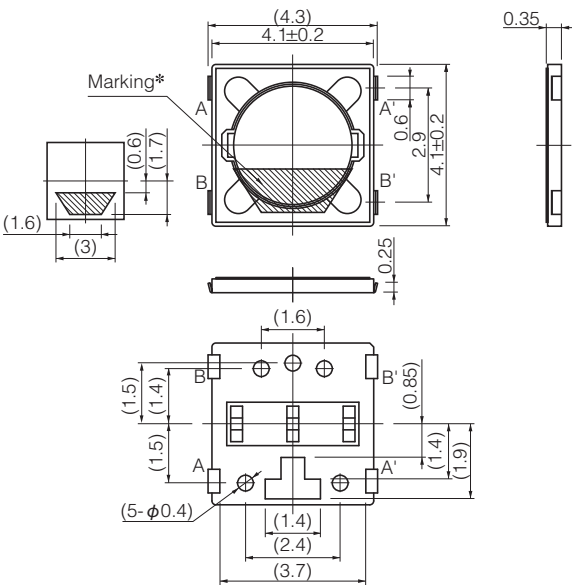
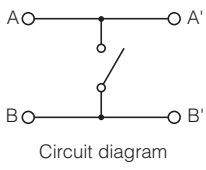
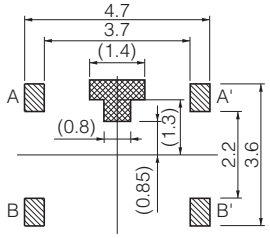


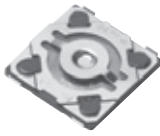
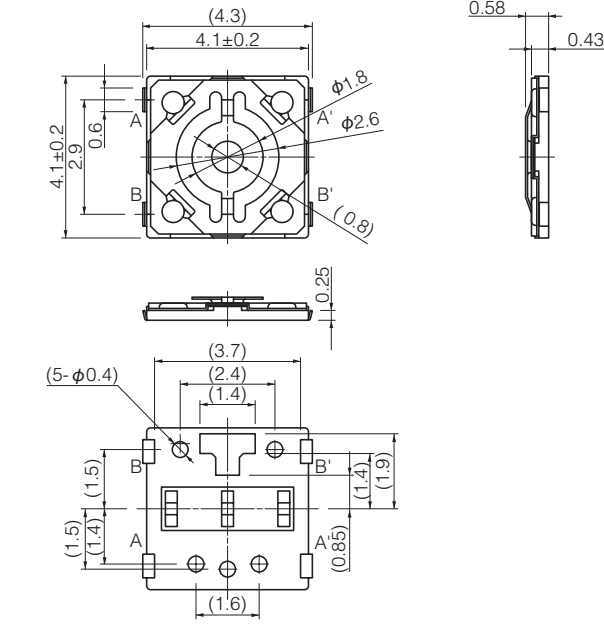
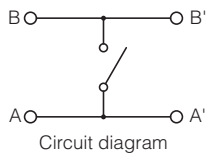
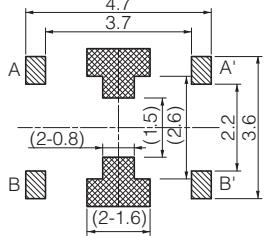

■ Specifications

Type	Snap action / Push-on type SPST	
Electrical	Rating	10 μ A 2 VDC to 20 mA 15 VDC (Resistive load)
	Contact Resistance	500 m Ω max.
	Insulation Resistance	50 M Ω min. (at 100V DC)
	Dielectric Withstanding Voltage	100 V AC for 1 minute
	Bouncing	3 ms max. (ON) 10 ms max. (OFF)
Mechanical	Operating Force	1.0 N, 1.6 N, 2.4 N
	Travel	0.2 mm (EVQ7P6 : 0.15 mm)
Endurance	Operating Life	1.0 N, 1.6 N : 1,000,000 cycles min. 2.4 N : 500,000 cycles min.
Operating Temperature		-20 °C to +70 °C
Storage Temperature		-40 °C to +85 °C (Bulk) -20 °C to +60 °C (Taping)
Minimum Quantity/Packing Unit		10,000 pcs. Embossed Taping (Reel Pack)
Quantity/Carton		50,000 pcs.

Note: Non washable

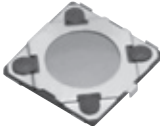
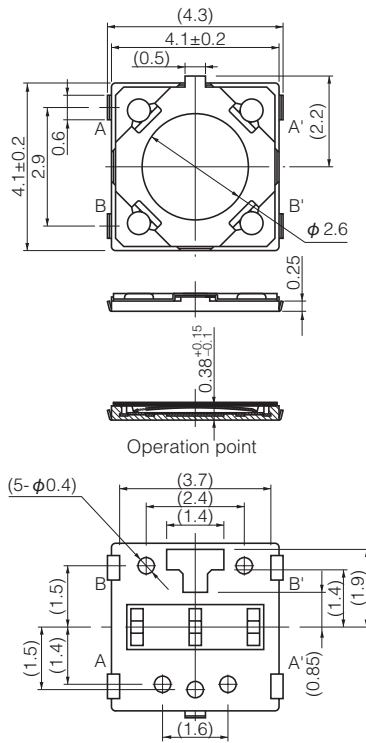
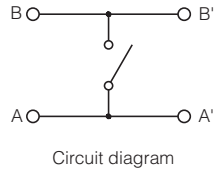
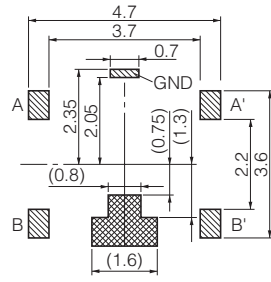


Design and specifications are each subject to change without notice. Ask factory for the current technical specifications before purchase and/or use.
Should a safety concern arise regarding this product, please be sure to contact us immediately.

■ Dimensions in mm (not to scale)

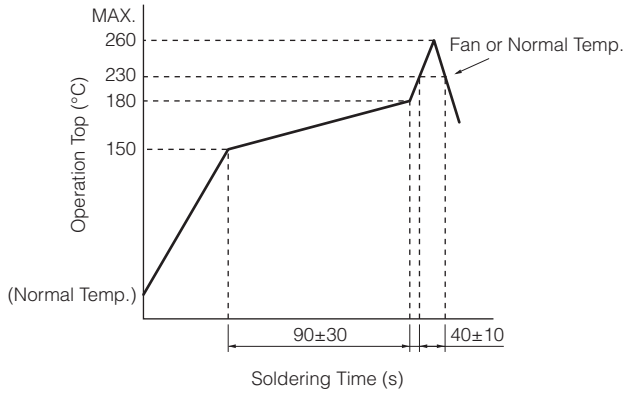
<p>No. 1</p> <p>EVQP6D EVQP6P</p> <p>(Embossed Taping)</p> <p>Surface mount For reflow soldering Without push plate</p> 	<p>General dimension tolerance : ± 0.1 () dimensions are reference dimensions.</p>  <p>*Marking varies according to push force.</p>			 <p>Circuit diagram</p>  <p>PWB land pattern for reference Part of A-A' terminal is exposed at  area. Any land pattern or vias shall not be provided at  area.</p>																																															
<table border="1"> <thead> <tr> <th>Part Numbers</th> <th>Operating Force</th> <th>Height</th> <th>Operating Life</th> </tr> </thead> <tbody> <tr> <td>EVQP6DB35</td> <td>1.6 N</td> <td>0.35 mm</td> <td>1,000,000 cycles</td> </tr> <tr> <td>EVQP6PB35</td> <td>2.4 N</td> <td>0.35 mm</td> <td>500,000 cycles</td> </tr> </tbody> </table>	Part Numbers	Operating Force	Height	Operating Life	EVQP6DB35	1.6 N	0.35 mm	1,000,000 cycles	EVQP6PB35	2.4 N	0.35 mm	500,000 cycles	<table border="1"> <thead> <tr> <th>Part Numbers</th> <th>Operating Force</th> <th>Height</th> <th>Operating Life</th> </tr> </thead> <tbody> <tr> <td>EVQP6DB35</td> <td>1.6 N</td> <td>0.35 mm</td> <td>1,000,000 cycles</td> </tr> <tr> <td>EVQP6PB35</td> <td>2.4 N</td> <td>0.35 mm</td> <td>500,000 cycles</td> </tr> </tbody> </table>	Part Numbers	Operating Force	Height	Operating Life	EVQP6DB35	1.6 N	0.35 mm	1,000,000 cycles	EVQP6PB35	2.4 N	0.35 mm	500,000 cycles	<table border="1"> <thead> <tr> <th>Part Numbers</th> <th>Operating Force</th> <th>Height</th> <th>Operating Life</th> </tr> </thead> <tbody> <tr> <td>EVQP6DB35</td> <td>1.6 N</td> <td>0.35 mm</td> <td>1,000,000 cycles</td> </tr> <tr> <td>EVQP6PB35</td> <td>2.4 N</td> <td>0.35 mm</td> <td>500,000 cycles</td> </tr> </tbody> </table>	Part Numbers	Operating Force	Height	Operating Life	EVQP6DB35	1.6 N	0.35 mm	1,000,000 cycles	EVQP6PB35	2.4 N	0.35 mm	500,000 cycles	<table border="1"> <thead> <tr> <th>Part Numbers</th> <th>Operating Force</th> <th>Height</th> <th>Operating Life</th> </tr> </thead> <tbody> <tr> <td>EVQP6DB35</td> <td>1.6 N</td> <td>0.35 mm</td> <td>1,000,000 cycles</td> </tr> <tr> <td>EVQP6PB35</td> <td>2.4 N</td> <td>0.35 mm</td> <td>500,000 cycles</td> </tr> </tbody> </table>	Part Numbers	Operating Force	Height	Operating Life	EVQP6DB35	1.6 N	0.35 mm	1,000,000 cycles	EVQP6PB35	2.4 N	0.35 mm	500,000 cycles
Part Numbers	Operating Force	Height	Operating Life																																																
EVQP6DB35	1.6 N	0.35 mm	1,000,000 cycles																																																
EVQP6PB35	2.4 N	0.35 mm	500,000 cycles																																																
Part Numbers	Operating Force	Height	Operating Life																																																
EVQP6DB35	1.6 N	0.35 mm	1,000,000 cycles																																																
EVQP6PB35	2.4 N	0.35 mm	500,000 cycles																																																
Part Numbers	Operating Force	Height	Operating Life																																																
EVQP6DB35	1.6 N	0.35 mm	1,000,000 cycles																																																
EVQP6PB35	2.4 N	0.35 mm	500,000 cycles																																																
Part Numbers	Operating Force	Height	Operating Life																																																
EVQP6DB35	1.6 N	0.35 mm	1,000,000 cycles																																																
EVQP6PB35	2.4 N	0.35 mm	500,000 cycles																																																
<p>No. 2</p> <p>EVQP6L EVQP6Y</p> <p>(Embossed Taping)</p> <p>Surface mount For reflow soldering With push plate</p> 	<p>General dimension tolerance : ± 0.1 () dimensions are reference dimensions.</p> 			 <p>Circuit diagram</p>  <p>PWB land pattern for reference Any land pattern or vias shall not be provided at  area.</p>																																															
<table border="1"> <thead> <tr> <th>Part Numbers</th> <th>Operating Force</th> <th>Height</th> <th>Operating Life</th> </tr> </thead> <tbody> <tr> <td>EVQP6LB55</td> <td>1.6 N</td> <td>0.58 mm</td> <td>1,000,000 cycles</td> </tr> <tr> <td>EVQP6YB55</td> <td>2.4 N</td> <td>0.58 mm</td> <td>500,000 cycles</td> </tr> </tbody> </table>	Part Numbers	Operating Force	Height	Operating Life	EVQP6LB55	1.6 N	0.58 mm	1,000,000 cycles	EVQP6YB55	2.4 N	0.58 mm	500,000 cycles	<table border="1"> <thead> <tr> <th>Part Numbers</th> <th>Operating Force</th> <th>Height</th> <th>Operating Life</th> </tr> </thead> <tbody> <tr> <td>EVQP6LB55</td> <td>1.6 N</td> <td>0.58 mm</td> <td>1,000,000 cycles</td> </tr> <tr> <td>EVQP6YB55</td> <td>2.4 N</td> <td>0.58 mm</td> <td>500,000 cycles</td> </tr> </tbody> </table>	Part Numbers	Operating Force	Height	Operating Life	EVQP6LB55	1.6 N	0.58 mm	1,000,000 cycles	EVQP6YB55	2.4 N	0.58 mm	500,000 cycles	<table border="1"> <thead> <tr> <th>Part Numbers</th> <th>Operating Force</th> <th>Height</th> <th>Operating Life</th> </tr> </thead> <tbody> <tr> <td>EVQP6LB55</td> <td>1.6 N</td> <td>0.58 mm</td> <td>1,000,000 cycles</td> </tr> <tr> <td>EVQP6YB55</td> <td>2.4 N</td> <td>0.58 mm</td> <td>500,000 cycles</td> </tr> </tbody> </table>	Part Numbers	Operating Force	Height	Operating Life	EVQP6LB55	1.6 N	0.58 mm	1,000,000 cycles	EVQP6YB55	2.4 N	0.58 mm	500,000 cycles	<table border="1"> <thead> <tr> <th>Part Numbers</th> <th>Operating Force</th> <th>Height</th> <th>Operating Life</th> </tr> </thead> <tbody> <tr> <td>EVQP6LB55</td> <td>1.6 N</td> <td>0.58 mm</td> <td>1,000,000 cycles</td> </tr> <tr> <td>EVQP6YB55</td> <td>2.4 N</td> <td>0.58 mm</td> <td>500,000 cycles</td> </tr> </tbody> </table>	Part Numbers	Operating Force	Height	Operating Life	EVQP6LB55	1.6 N	0.58 mm	1,000,000 cycles	EVQP6YB55	2.4 N	0.58 mm	500,000 cycles
Part Numbers	Operating Force	Height	Operating Life																																																
EVQP6LB55	1.6 N	0.58 mm	1,000,000 cycles																																																
EVQP6YB55	2.4 N	0.58 mm	500,000 cycles																																																
Part Numbers	Operating Force	Height	Operating Life																																																
EVQP6LB55	1.6 N	0.58 mm	1,000,000 cycles																																																
EVQP6YB55	2.4 N	0.58 mm	500,000 cycles																																																
Part Numbers	Operating Force	Height	Operating Life																																																
EVQP6LB55	1.6 N	0.58 mm	1,000,000 cycles																																																
EVQP6YB55	2.4 N	0.58 mm	500,000 cycles																																																
Part Numbers	Operating Force	Height	Operating Life																																																
EVQP6LB55	1.6 N	0.58 mm	1,000,000 cycles																																																
EVQP6YB55	2.4 N	0.58 mm	500,000 cycles																																																

Design and specifications are each subject to change without notice. Ask factory for the current technical specifications before purchase and/or use.
Should a safety concern arise regarding this product, please be sure to contact us immediately.

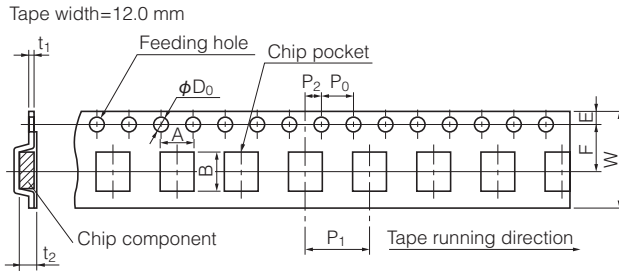
■ Dimensions in mm (not to scale)

<p>No. 3</p> <p>EVQ7P6 EVQ6P6 EVQ9P6</p> <p>(Embossed Taping)</p> <p>Surface mount For reflow soldering Without push plate With Ground Terminal</p> 	<p>General dimension tolerance : ± 0.1 () dimensions are reference dimensions.</p>  <p>Operation point</p>  <p>Circuit diagram</p>  <p>PWB land pattern for reference Part of B-B' terminal is exposed at  area. Any land pattern or vias shall not be provided at  area.</p>		
<p>Part Numbers</p>	<p>Operating Force</p>	<p>Height</p>	<p>Operating Life</p>
<p>EVQ7P6B40</p>	<p>1.0 N</p>	<p>0.43 mm</p>	<p>1,000,000 cycles</p>
<p>EVQ6P6B40</p>	<p>1.6 N</p>	<p>0.43 mm</p>	<p>1,000,000 cycles</p>
<p>EVQ9P6B40</p>	<p>2.4 N</p>	<p>0.43 mm</p>	<p>500,000 cycles</p>

■ Recommended Reflow Soldering Conditions



● Embossed Carrier Taping

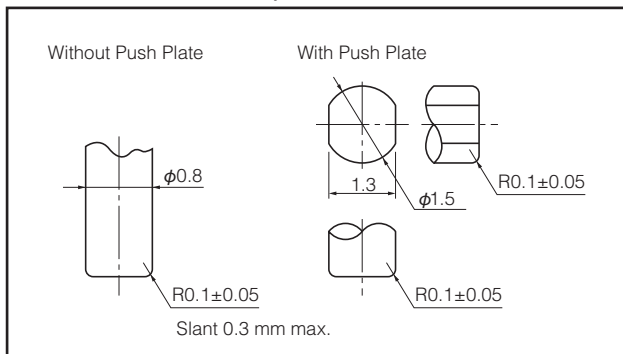


Taping condition : Lack of products in the middle of taping should be one MAX, but total quantity specified in the specifications should be secured.
Peeling off strength of top tape : It should be within 0.2N to 1.0N at 165 degree in peeling off angle.
Joint of carrier tape : One joint per one reel may exist.

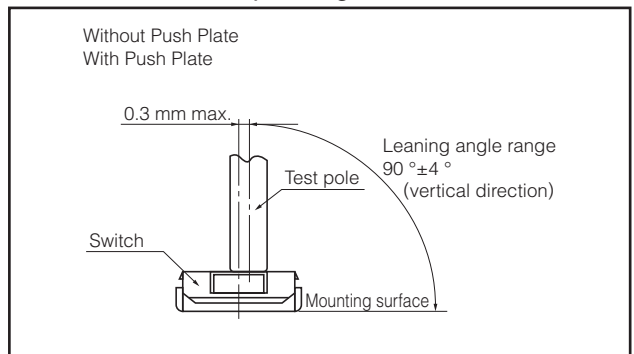
Unit: mm

Part No.	Height	A	B	W	F	E	P ₁	P ₂	P ₀	D ₀ Dia.	t ₁	t ₂
EVQP6	0.35/0.58	4.0±0.2	5.0±0.2	12.0 ^{+0.3} _{-0.1}	5.5±0.1	1.75±0.10	8.0±0.1	2.0±0.1	4.0±0.1	1.5 ^{+0.1} ₋₀	0.30±0.05	0.5/0.7 ^{+0.2} _{-0.1}
EVQ6P6	0.43											
EVQ7P6												
EVQ9P6												

■ Recommended Shape of Test Pole



■ Recommended Operating Conditions



Design and specifications are each subject to change without notice. Ask factory for the current technical specifications before purchase and/or use.
Should a safety concern arise regarding this product, please be sure to contact us immediately.