

## DETAILS

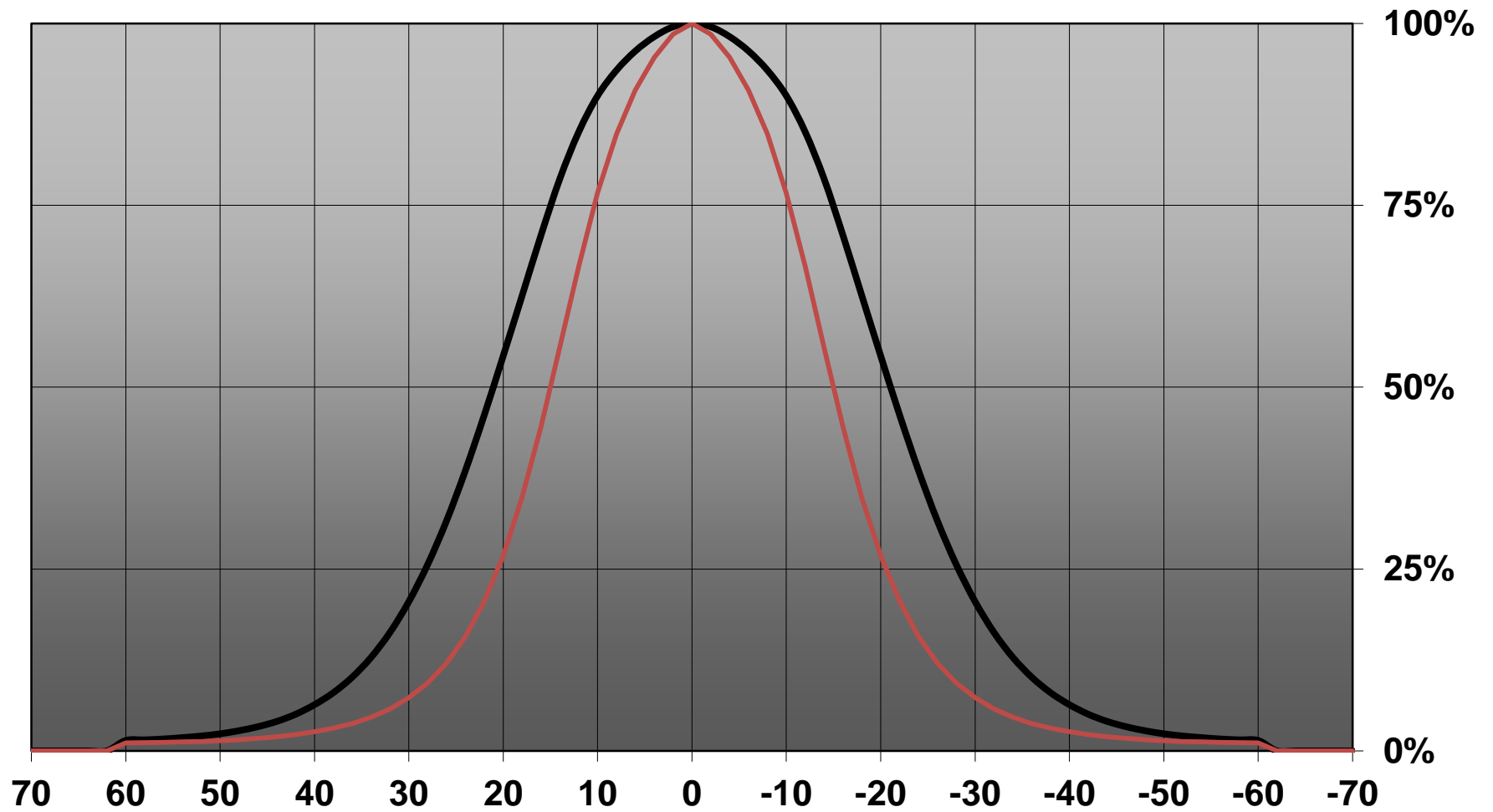
<b>Product Number</b>	FCA12776_IRIS-O
<b>Family</b>	Iris
<b>Type</b>	Assembly
<b>Color</b>	black
<b>Diameter</b>	38 mm
<b>Height</b>	29,2 mm
<b>Style</b>	round
<b>Optic Material</b>	
<b>Holder Material</b>	
<b>Fastening</b>	tape, pin
<b>Status</b>	production ready
<b>ROHS Compliant</b>	Yes
<b>Date Updated</b>	3/03/2017

## OPTICAL PROPERTIES

LED	Viewing Angle	Light Beam	Efficiency	cd/lm	Connector
XM-L	42+30 deg	Oval	81 %	2.700	-
XM-L2	43+30 deg	Oval	80 %	1.700	-
XHP50	42+30 deg	Oval	79 %	1.600	-
NFMW48xA	42+32 deg	Oval	72 %	1.400	-



Relative intensity of FCA12776 & FCN12775\_IRIS-O-XML

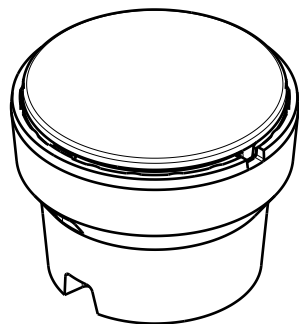


D

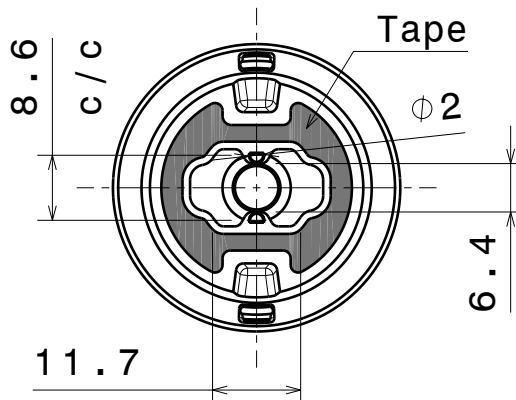
C

B

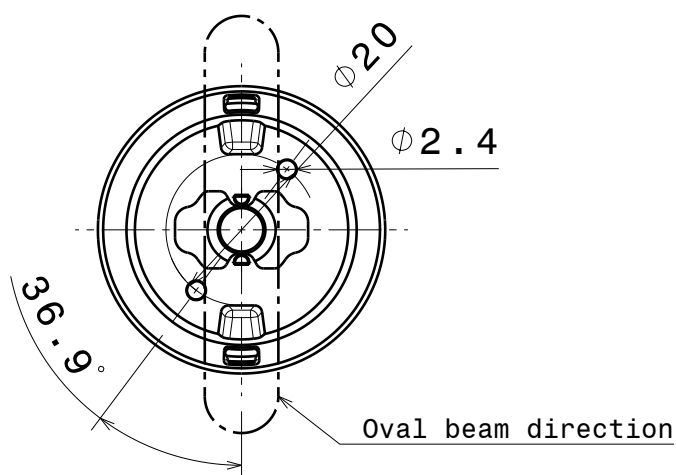
A



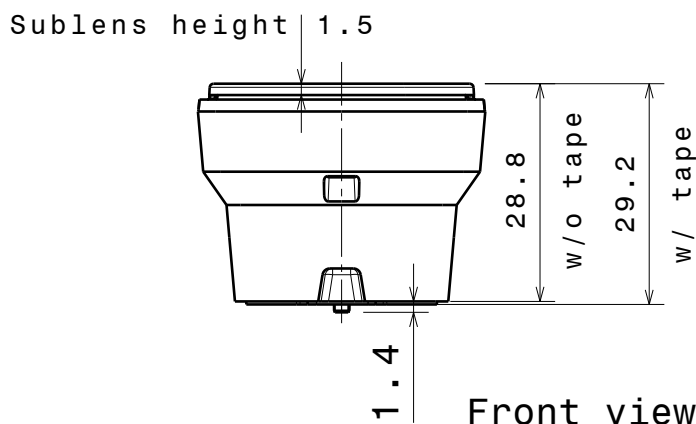
Isometric view



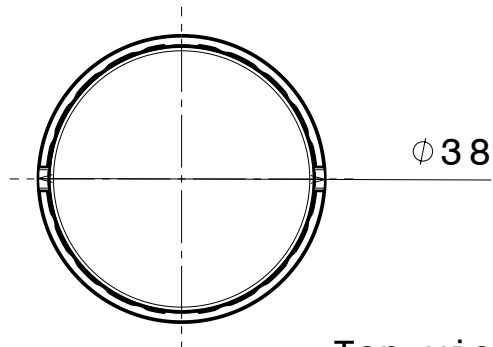
Bottom view



Bottom view without tape



Front view



Top view

Materials

Lens: PMMA  
 Sublens: PC  
 Holder: PC  
 Tape: PU Foam

This drawing is our property.  
 It can't be reproduced  
 or communicated without  
 our written agreement.



Ledil Oy  
 Salorankatu 10  
 FIN 24240 SALO  
 Finland

DRAWING TITLE Mechanical drawing  
 IRIS-XM

DRAWN BY as	DATE 17.9.2012
CHECKED BY sn	DATE -
DESIGNED BY -	DATE -

SIZE A4	PART NUMBER	REV 001
SCALE 1:1	WEIGHT -	SHEET 1/1

D

A

4

4

3

3

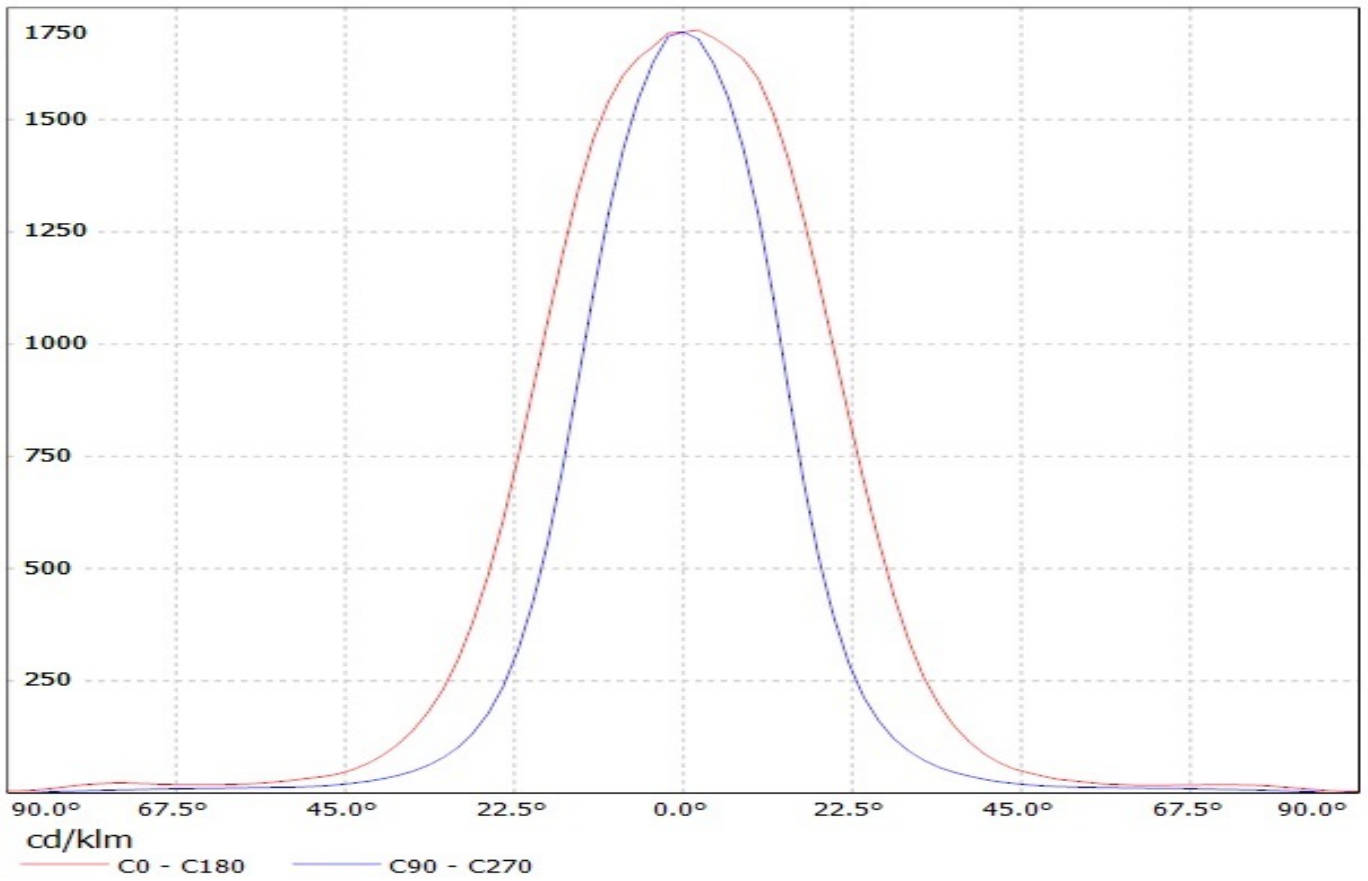
2

2

1

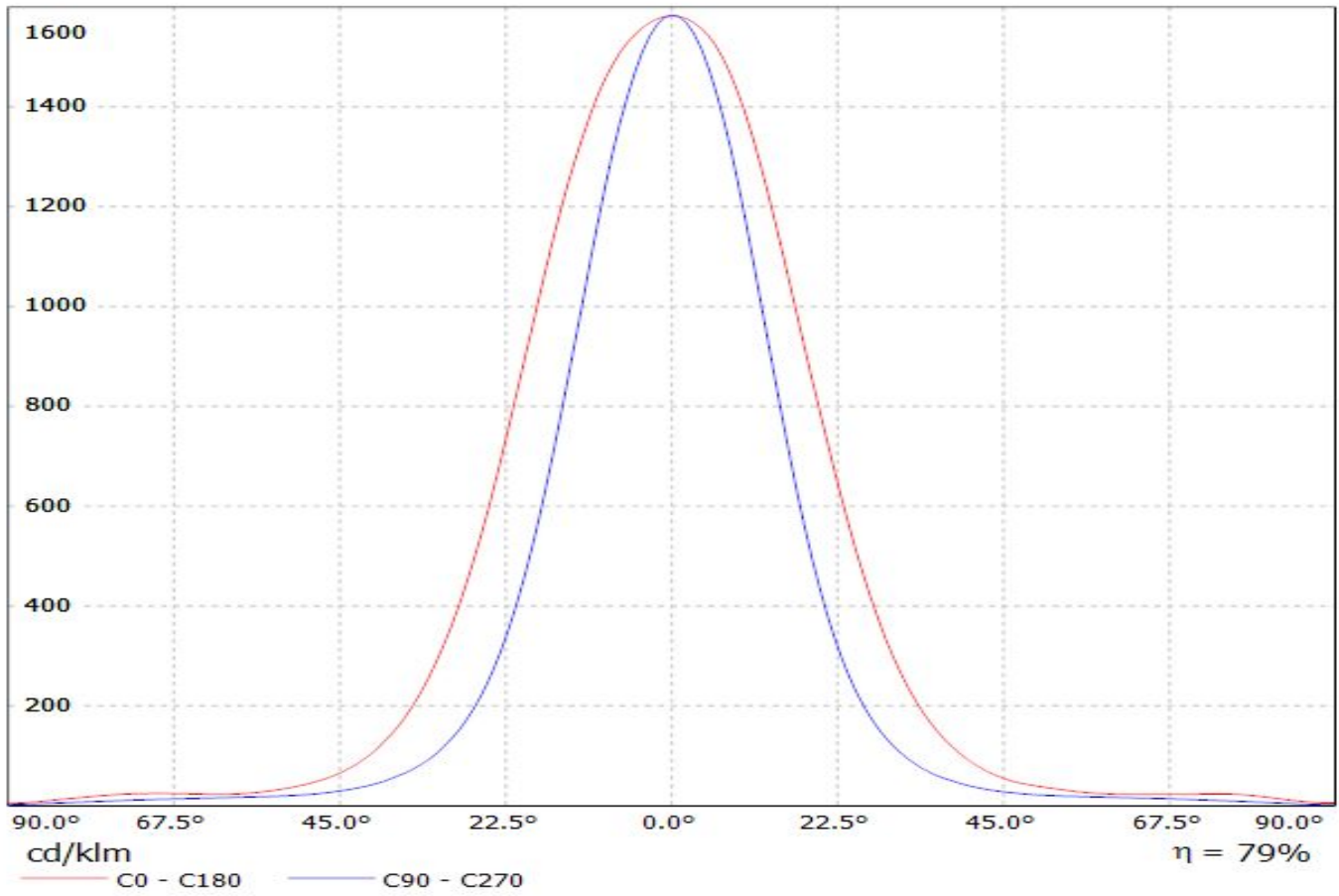
1

Luminaire: LEDil Oy FCA12776\_IRIS-O\_(XM-L2) Efficiency=80%  
Lamps: 1 x Cree XM-L2 (XMLBWT-0-7B4-T30-0L-0001) 91lm @ 250mA CCT=3200K P=0.7W I=250mA



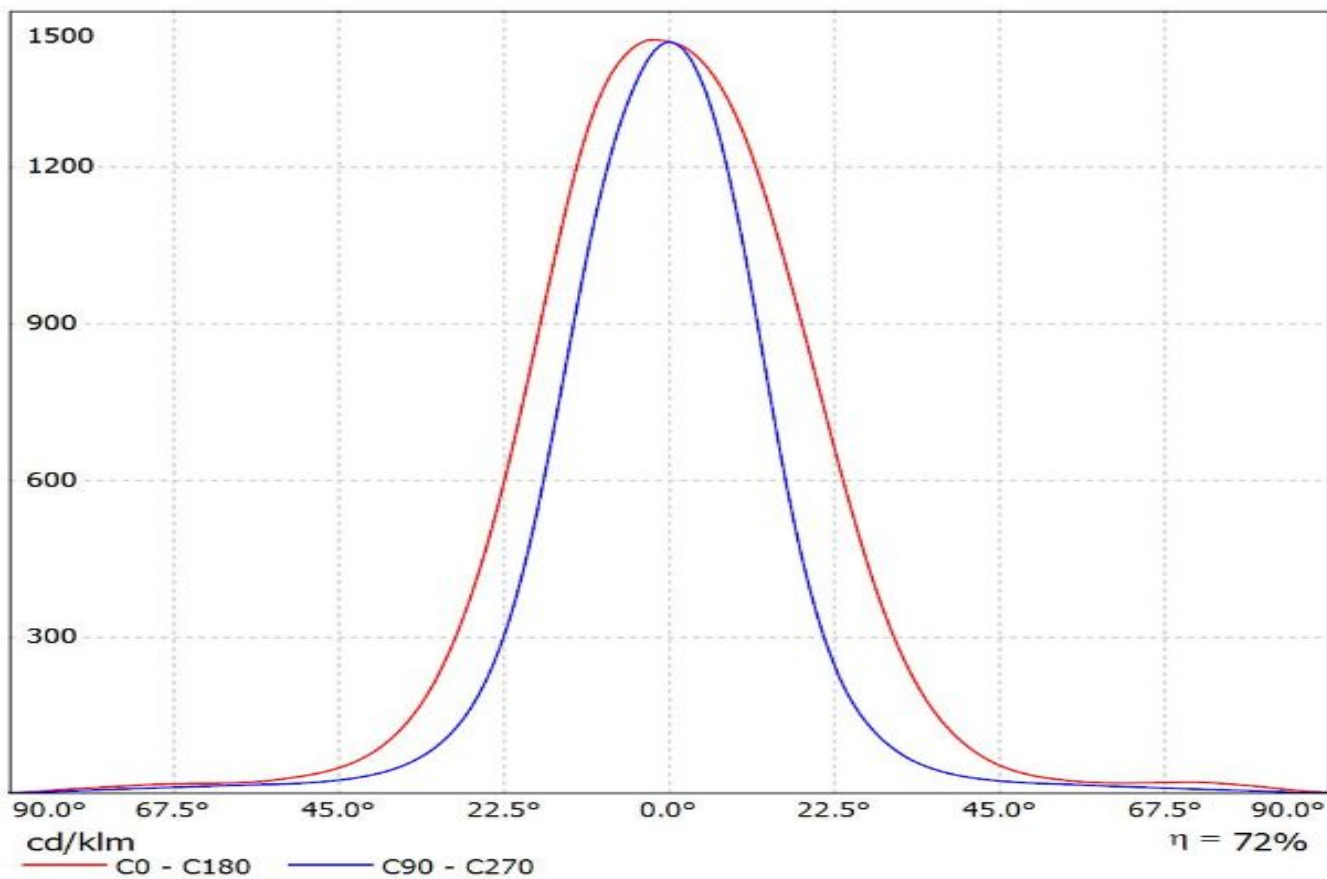
Luminaire: LEDiL Oy FCA12776\_IRIS-O\_(Cree XHP50 (WW))

Lamps: 1 x Cree\_XHP50\_(WW)\_195.177lm@250mA\_P=1.39754W\_I=0.2499A

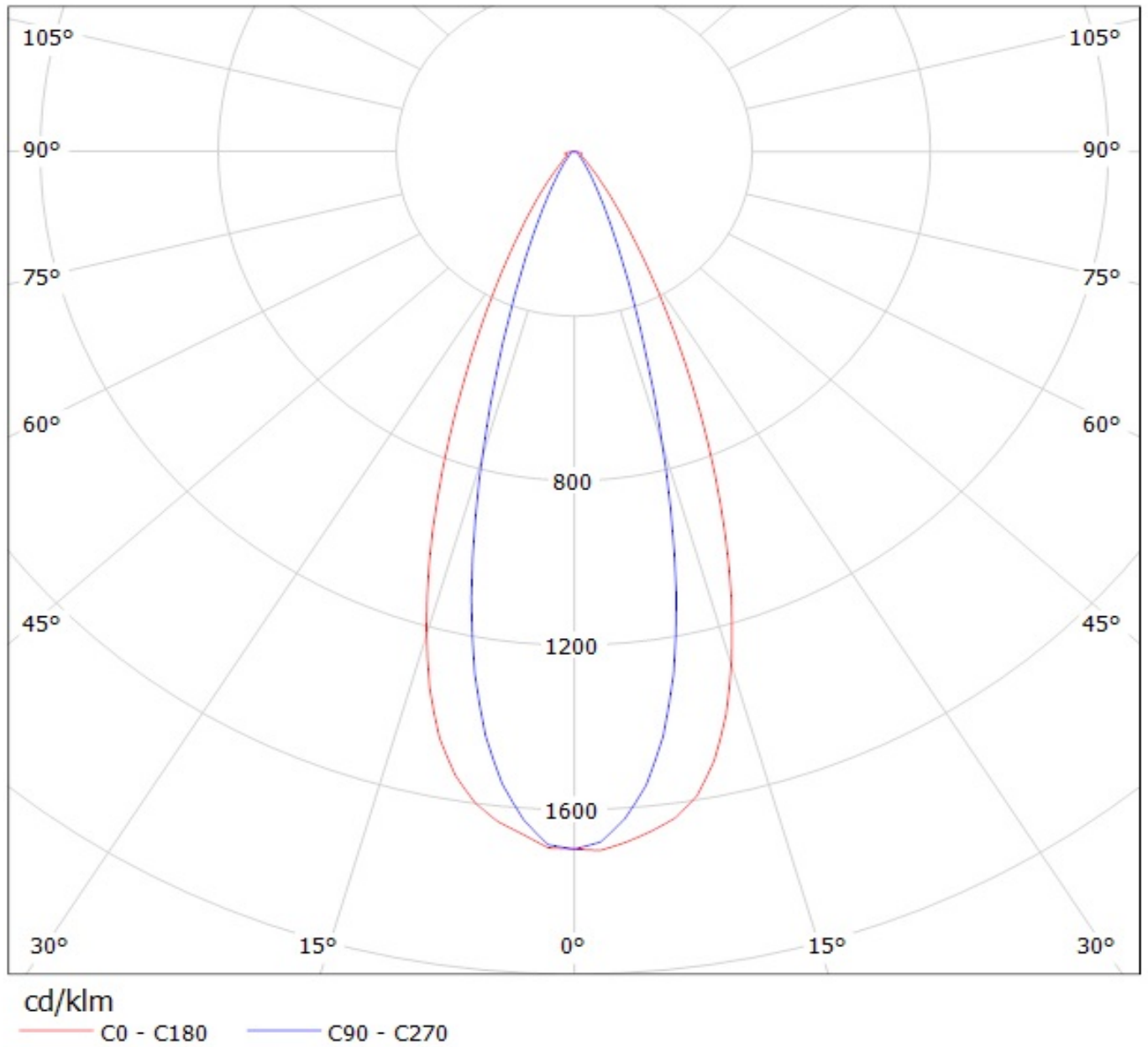


Luminaire: LEDiL Oy FCA12776\_IRIS-O\_(NFMX48xAR\_14chip)

Lamps: 1 x Nichia\_NFMX48xAR\_14chip\_(NFMW488AR)\_561.275lm@100mA\_P=4.11057W\_I=0.100A

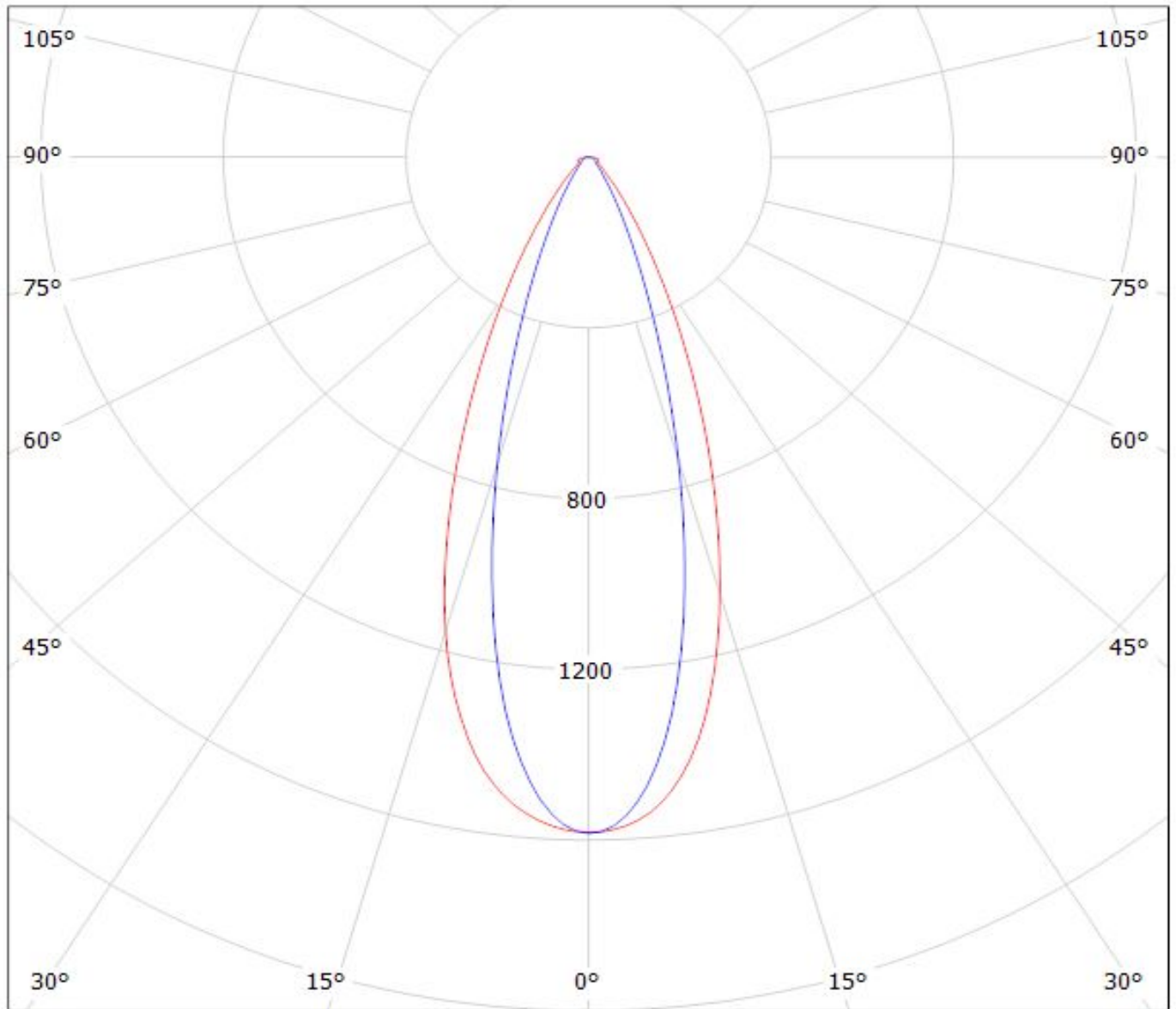


Luminaire: LEDil Oy FCA12776\_IRIS-O\_(XM-L2) Efficiency=80%  
Lamps: 1 x Cree XM-L2 (XMLBWT-0-7B4-T30-0L-0001) 91lm @ 250mA CCT=3200K P=0.7W I=250mA



Luminaire: LEDiL Oy FCA12776\_IRIS-O\_(Cree XHP50 (WW))

Lamps: 1 x Cree\_XHP50\_(WW)\_195.177lm@250mA\_P=1.39754W\_I=0.2499A



cd/klm

— C0 - C180

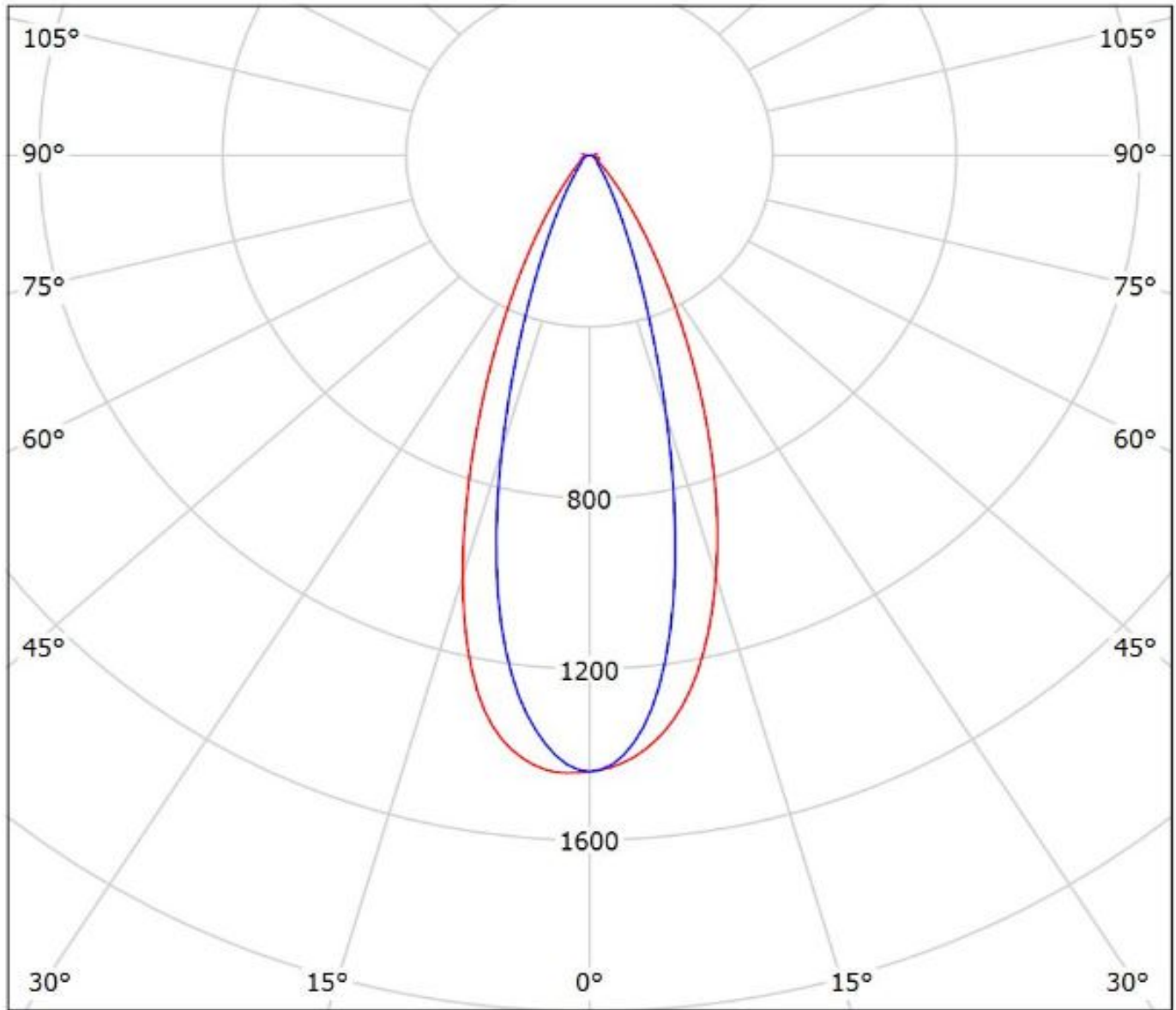
— C90 - C270

$\eta = 79\%$



Luminaire: LEDiL Oy FCA12776\_IRIS-O\_(NFMX48xAR\_14chip)

Lamps: 1 x Nichia\_NFMX48xAR\_14chip\_(NFMW488AR)\_561.275lm@100mA\_P=4.11057W\_I=0.100A



cd/klm

— C0 - C180    — C90 - C270

$\eta = 72\%$

**NOTE: The typical divergence will be changed by different color, chip size and chip position tolerance. The typical total divergence is the full angle measured where the luminous intensity is half of the peak value.**